



**John
BOOS**
Since 1887

ITEM #: _____ QTY: _____
 MODEL #: _____
 PROJECT NAME: _____

062217

3601 S. Banker St. Effingham, IL 62401 • P.O. BOX 609 • Ph: (888) 431-2667 • Fax: (800) 433-2667

"3PB2028-1D" PRO-BOWL COMPARTMENT SINKS 16GA

3 COMPARTMENT WITH 1 DRAIN BOARD - STAINLESS STEEL BASE



FEATURES:

- STANDARD 16GA TYPE 300 STAINLESS STEEL WITH #4 POLISH, SATIN FINISH
- 12" & 14" DEEP BOWLS
- ALL CORNERS, BOTH VERTICAL AND HORIZONTAL, COVERED AT 5/8" RADIUS
- BOTTOMS OF BOWLS FORMED FOR DRAINAGE TO 3-1/2" DIAMETER DIE STAMPED OPENING
- FULL LENGTH **10" HIGH BOXED BACKSPLASH**, WITH 2" RETURN TO WALL AT 45 DEGREE AND 3/4" TURNED DOWN REAR LIP
- 1 SET OF FAUCET HOLES 8" ON-CENTER
- 1-1/8" FAUCET HOLES IN BACKSPLASH
- SOLID STAINLESS STEEL FRONT PANEL, TYPE 300 STAINLESS STEEL WITH #4 POLISH, SATIN FINISH
- ALL OUTSIDE CORNERS OF ASSEMBLY ARE BULLNOSED TO PROVIDE SAFE, CLEAN, AND POLISHED EDGE

MATERIAL:

- BOWLS & TOP: 16GA TYPE 300 STAINLESS STEEL WITH #4 POLISH, SATIN FINISH
- LEGS: 1-5/8" ROUND O.D. STAINLESS STEEL
- BRACING: 1-1/4" ROUND O.D. STAINLESS STEEL
- GUSSETS: STAINLESS STEEL
- FEET: 1" ADJUSTABLE STAINLESS STEEL BULLET FEET

CONSTRUCTION:

- TOP: STAINLESS STEEL SINKS ARE TIG WELDED, EXPOSED WELDS ARE POLISHED TO MATCH ADJACENT SURFACE
- BASE: STAINLESS STEEL BASES, STANDARD K.D.



SPECIFY LEFT SIDE OR RIGHT SIDE DRAIN BOARD

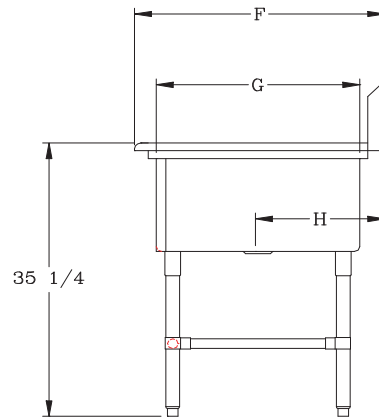
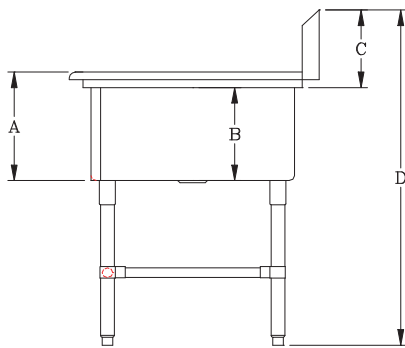
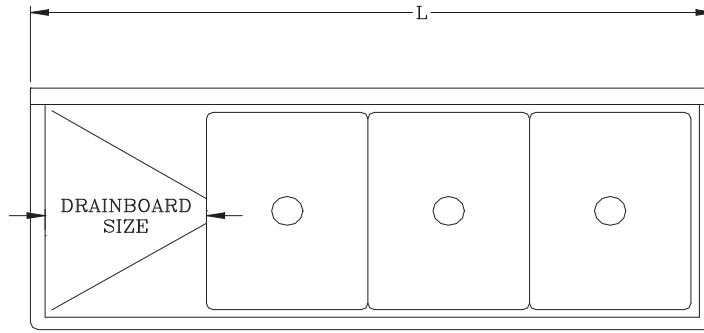
16GA - "3PB2028-1D" PRO-BOWL COMPARTMENT SINKS

| 12" DEEP | QTY | 14" DEEP | QTY |
|--------------|-----|---------------|-----|
| 3PB2028-1D20 | | 3PB20284-1D20 | |
| 3PB2028-1D24 | | 3PB20284-1D24 | |
| 3PB2028-1D30 | | 3PB20284-1D30 | |

OPTIONAL ACCESSORIES

| DESCRIPTION | QTY |
|-----------------------------|-----|
| END SPLASHES, R, L, OR BOTH | |
| FAUCETS | |
| ADD-A-FAUCETS | |
| PRE-RINSE UNITS | |
| LEVEL WASTE | |
| OVERSHELVES | |
| POT RACK | |

DETAILED SPECIFICATIONS



| | 12" DEEP | 14" DEEP |
|---|----------|----------|
| A | 14" | 16" |
| B | 12" | 14" |
| C | 10" | 10" |
| D | 43" | 43" |

BOWLS

| BOWL SIZE | F | G | H |
|-----------|---------|-----|-----------|
| 20" X 28" | 33-1/2" | 28" | 16-15/16" |

(12" DEEP) 16GA - "3PB2028-1D" PRO-BOWL COMPARTMENT SINKS

| MODEL | BOWL SIZE | DIMENSIONS | DB | WT. (LBS) |
|--------------|--------------|--------------------|-----|-----------|
| 3PB2028-1D20 | 20 X 28 X 12 | 84-3/16" X 33-1/2" | 20" | 157 |
| 3PB2028-1D24 | 20 X 28 X 12 | 88-3/16" X 33-1/2" | 24" | 161 |
| 3PB2028-1D30 | 20 X 28 X 12 | 94-3/16" X 33-1/2" | 30" | 166 |

(14" DEEP) 16GA - "3PB2028-1D" PRO-BOWL COMPARTMENT SINKS

| MODEL | BOWL SIZE | DIMENSIONS | DB | WT. (LBS) |
|---------------|--------------|--------------------|-----|-----------|
| 3PB20284-1D20 | 20 X 28 X 14 | 84-3/16" X 33-1/2" | 20" | 169 |
| 3PB20284-1D24 | 20 X 28 X 14 | 88-3/16" X 33-1/2" | 24" | 173 |
| 3PB20284-1D30 | 20 X 28 X 14 | 94-3/16" X 33-1/2" | 30" | 177 |

SOME UNITS SHIP UNASSEMBLED FOR REDUCED SHIPPING COST. ALL DIMENSIONS ARE TYPICAL. TOLERANCE +/- .500"
 John Boos & Co. is constantly engaged in a program of improving products and therefore reserves the right to change specifications without prior notice.



3601 S. Banker St. • Effingham, IL 62401 • PO BOX 609 • quotes@johnboos.com

www.johnboos.com