



**John  
BOOS**  
Since 1887

ITEM #: \_\_\_\_\_ QTY: \_\_\_\_\_  
 MODEL #: \_\_\_\_\_  
 PROJECT NAME: \_\_\_\_\_

062217

3601 S. Banker St. Effingham, IL 62401 • P.O. BOX 609 • Ph: (888) 431-2667 • Fax: (800) 433-2667

## **"3PB-1D" PRO-BOWL COMPARTMENT SINKS 16GA**

### **3 COMPARTMENT WITH 1 DRAIN BOARD - STAINLESS STEEL BASE**



#### **FEATURES:**

- STANDARD 16GA TYPE 300 STAINLESS STEEL WITH #4 POLISH, SATIN FINISH
- 12" & 14" DEEP BOWLS
- ALL CORNERS, BOTH VERTICAL AND HORIZONTAL, COVERED AT 5/8" RADIUS
- BOTTOMS OF BOWLS FORMED FOR DRAINAGE TO 3-1/2" DIAMETER DIE STAMPED OPENING
- FULL LENGTH **10" HIGH BOXED BACKSPLASH**, WITH 2" RETURN TO WALL AT 45 DEGREE AND 3/4" TURNED DOWN REAR LIP
- 8" ON-CENTER, 1-1/8" FAUCET HOLES IN BACKSPLASH
- SOLID STAINLESS STEEL FRONT PANEL, TYPE 300 STAINLESS STEEL WITH #4 POLISH, SATIN FINISH
- ALL OUTSIDE CORNERS OF ASSEMBLY ARE BULLNOSED TO PROVIDE SAFE, CLEAN, AND POLISHED EDGE

#### **CONSTRUCTION:**

- TOP: STAINLESS STEEL SINKS ARE TIG WELDED, EXPOSED WELDS ARE POLISHED TO MATCH ADJACENT SURFACE
- BASE: STAINLESS STEEL BASES, STANDARD K.D.

#### **MATERIAL:**

- BOWLS & TOP: 16GA TYPE 300 STAINLESS STEEL WITH #4 POLISH, SATIN FINISH
- LEGS: 1-5/8" ROUND O.D. STAINLESS STEEL
- BRACING: 1-1/4" ROUND O.D. STAINLESS STEEL
- GUSSETS: STAINLESS STEEL
- FEET: 1" ADJUSTABLE STAINLESS STEEL BULLET FEET

#### **16GA - "3PB-1D" PRO-BOWL SERIES SINK**

12" DEEP	QTY	14" DEEP	QTY
3PB1618-1D18		3PB16184-1D18	
3PB1618-1D24		3PB16184-1D24	
3PB1618-1D30		3PB16184-1D30	
3PB1620-1D18		3PB16204-1D18	
3PB1620-1D24		3PB16204-1D24	
3PB1620-1D30		3PB16204-1D30	
3PB18-1D18		3PB184-1D18	
3PB18-1D24		3PB184-1D24	
3PB18-1D30		3PB184-1D30	
3PB1824-1D18		3PB18244-1D18	
3PB1824-1D24		3PB18244-1D24	
3PB1824-1D30		3PB18244-1D30	
3PB24-1D24 *		3PB244-1D24 *	
3PB24-1D30 *		3PB244-1D30 *	
3PB3024-1D30 *		3PB30244-1D30 *	
3PB3024-1D36 *		3PB30244-1D36 *	



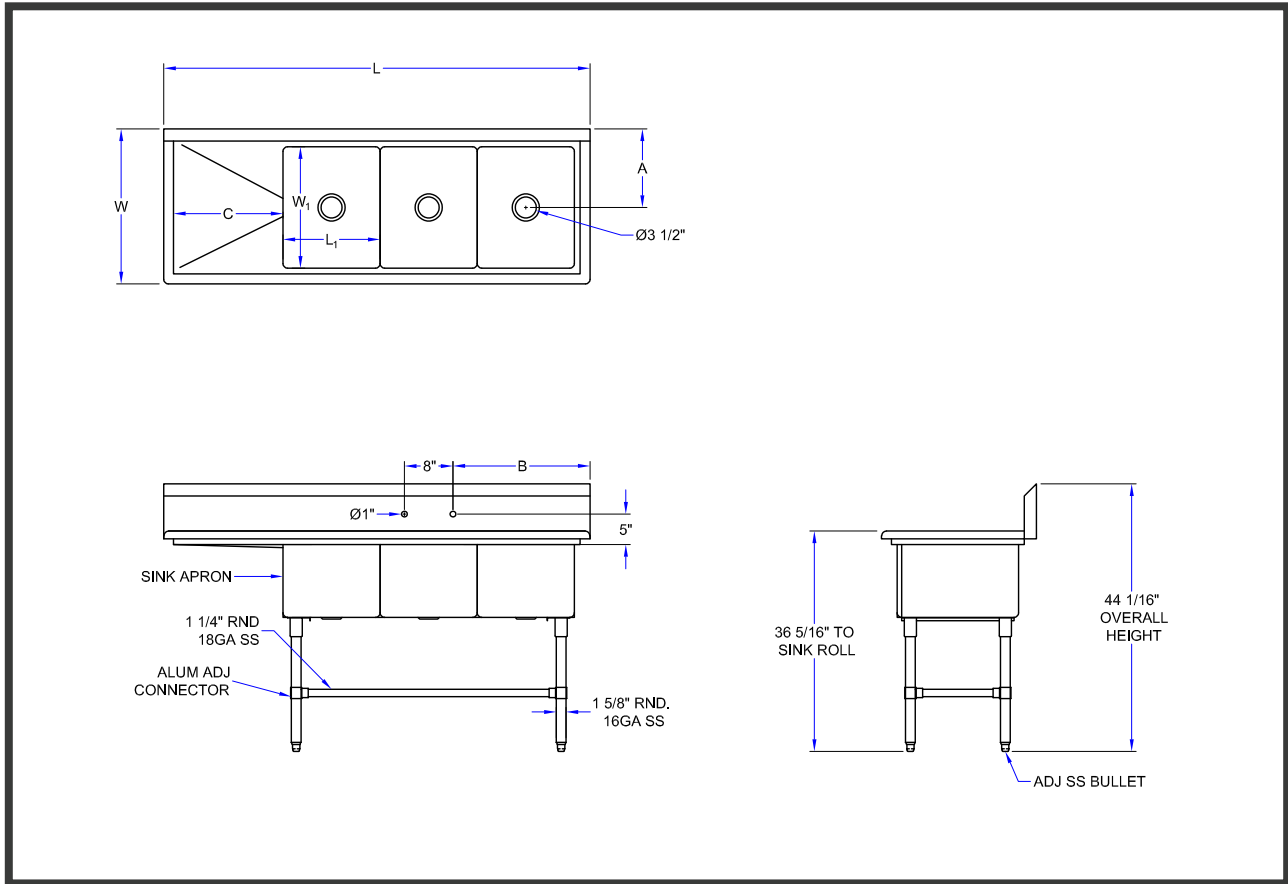
SPECIFY LEFT SIDE OR RIGHT SIDE DRAIN BOARD

#### **OPTIONAL ACCESSORIES**

DESCRIPTION	QTY
END SPLASHES, R, L, OR BOTH	
FAUCETS	
ADD-A-FAUCETS	
PRE-RINSE UNITS	
LEVEL WASTE	
OVERSHELVES	
POT RACK	

\* WITH TWO SETS OF FAUCET HOLES 8" O/C

# DETAILED SPECIFICATIONS



## 16GA - "3PB-1D" PRO-BOWL SERIES SINK

12" DEEP	14" DEEP	L	W	L1	W1	A	B	C
3PB1618-1D18	3PB16184-1D18	70-3/16"	23-1/2"	16"	18"	11-15/16"	22-9/16"	18"
3PB1618-1D24	3PB16184-1D24	76-3/16"	23-1/2"	16"	18"	11-15/16"	22-9/16"	24"
3PB1618-1D30	3PB16184-1D30	82-3/16"	23-1/2"	16"	18"	11-15/16"	22-9/16"	30"
3PB1620-1D18	3PB16204-1D18	70-3/16"	25-1/2"	16"	20"	12-15/16"	39-5/8"	18"
3PB1620-1D24	3PB16204-1D24	76-3/16"	25-1/2"	16"	20"	12-15/16"	22-9/16"	24"
3PB1620-1D30	3PB16204-1D30	82-3/16"	25-1/2"	16"	20"	12-15/16"	22-9/16"	30"
3PB18-1D18	3PB184-1D18	76-3/16"	23-1/2"	18"	18"	11-15/16"	25-9/16"	18"
3PB18-1D24	3PB184-1D24	82-3/16"	23-1/2"	18"	18"	11-15/16"	25-9/16"	24"
3PB18-1D30	3PB184-1D30	88-3/16"	23-1/2"	18"	18"	11-15/16"	25-9/16"	30"
3PB1824-1D18	3PB18244-1D18	76-3/16"	29-1/2"	18"	24"	14-15/16"	25-9/16"	18"
3PB1824-1D24	3PB18244-1D24	82-3/16"	29-1/2"	18"	24"	14-15/16"	25-9/16"	24"
3PB1824-1D30	3PB18244-1D30	88-3/16"	29-1/2"	18"	24"	14-15/16"	25-9/16"	30"
3PB24-1D24	3PB244-1D24	100-3/16"	29-1/2"	24"	24"	14-15/16"	22-9/16"	24"
3PB24-1D30	3PB244-1D30	106-3/16"	29-1/2"	24"	24"	14-15/16"	22-9/16"	30"
3PB3024-1D30	3PB30244-1D30	124-3/16"	29-1/2"	30"	24"	14-15/16"	28-9/16"	30"
3PB3024-1D36	3PB30244-1D36	130-3/16"	29-1/2"	30"	24"	14-15/16"	28-9/16"	36"

SOME UNITS SHIP UNASSEMBLED FOR REDUCED SHIPPING COST. ALL DIMENSIONS ARE TYPICAL. TOLERANCE +/- .500"

John Boos & Co. is constantly engaged in a program of improving products and therefore reserves the right to change specifications without prior notice.



3601 S. Banker St. • Effingham, IL 62401 • PO BOX 609 • quotes@johnboos.com

07172018

Boos  
lock

AQ AutoQuotes

www.johnboos.com

535