



**John  
BOOS**  
Since 1887

ITEM #: \_\_\_\_\_ QTY: \_\_\_\_\_  
 MODEL #: \_\_\_\_\_  
 PROJECT NAME: \_\_\_\_\_

3601 S. Banker St. Effingham, IL 62401 • P.O. BOX 609 • Ph: (888) 431-2667 • Fax: (800) 433-2667

## **"3PBPS-2DB" PRO-BOWL PLATTER SINKS 16GA**

### **3 COMPARTMENT WITH 2 DRAIN BOARD - STAINLESS STEEL BASE**



#### **FEATURES:**

- STANDARD 16GA TYPE 300 STAINLESS STEEL WITH #4 POLISH, SATIN FINISH
- 12" & 14" DEEP BOWLS
- ALL CORNERS, BOTH VERTICAL AND HORIZONTAL, COVERED AT 5/8" RADIUS
- BOTTOMS OF BOWLS FORMED FOR DRAINAGE TO 3-1/2" DIAMETER DIE STAMPED OPENING
- FULL LENGTH **10" HIGH BOXED BACKSPLASH**, WITH 2" RETURN TO WALL AT 45 DEGREE AND 3/4" TURNED DOWN REAR LIP
- 2 SETS OF FAUCET HOLES 8" ON-CENTER
- 1-1/8" FAUCET HOLES IN BACKSPLASH
- SOLID STAINLESS STEEL FRONT PANEL, TYPE 300 STAINLESS STEEL WITH #4 POLISH, SATIN FINISH
- ALL OUTSIDE CORNERS OF ASSEMBLY ARE BULLNOSED TO PROVIDE SAFE, CLEAN, AND POLISHED EDGE

#### **MATERIAL:**

- BOWLS & TOP: 16GA TYPE 300 STAINLESS STEEL WITH #4 POLISH, SATIN FINISH
- LEGS: 1-5/8" ROUND O.D. STAINLESS STEEL
- BRACING: 1-1/4" ROUND O.D. STAINLESS STEEL
- GUSSETS: STAINLESS STEEL
- FEET: 1" ADJUSTABLE STAINLESS STEEL BULLET FEET



#### **CONSTRUCTION:**

- TOP: STAINLESS STEEL SINKS ARE TIG WELDED, EXPOSED WELDS ARE POLISHED TO MATCH ADJACENT SURFACE
- BASE: STAINLESS STEEL BASES, STANDARD K.D.

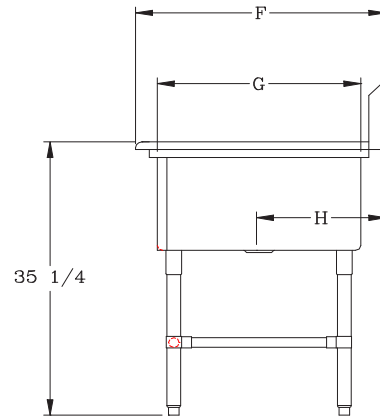
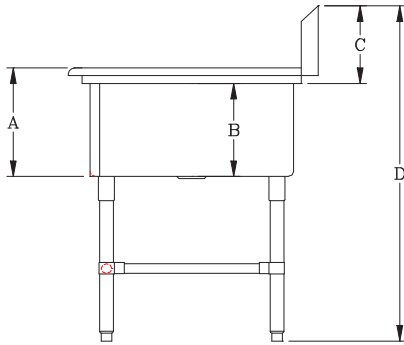
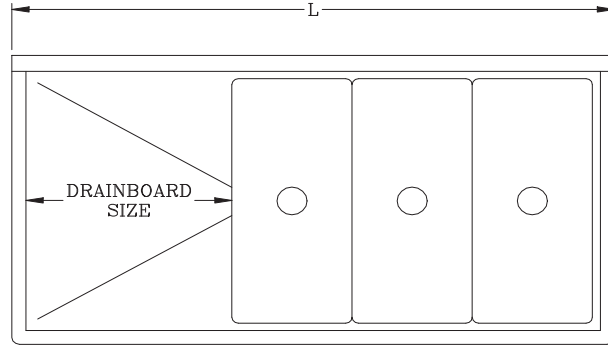
#### **16GA - "3PBPS-2DB" PRO-BOWL PLATTER SINKS**

12" DEEP	QTY	14" DEEP	QTY
3PBPS1431-2D18		3PBPS14314-2D18	
3PBPS1431-2D24		3PBPS14314-2D24	
3PBPS1431-2D30		3PBPS14314-2D30	

#### **OPTIONAL ACCESSORIES**

DESCRIPTION	QTY
END SPLASHES, R, L, OR BOTH	
FAUCETS	
ADD-A-FAUCETS	
PRE-RINSE UNITS	
LEVEL WASTE	
OVERSHELVES	
POT RACK	

# DETAILED SPECIFICATIONS



	12" DEEP	14" DEEP
A	14"	16"
B	12"	14"
C	10"	10"
D	43"	43"

## BOWLS

BOWL SIZE	F	G	H
14" X 31"	36-1/2"	31"	18-7/16"

## (12" DEEP) 16GA - "3PBPS-2DB" PRO-BOWL PLATTER SINKS

MODEL	BOWL SIZE	DIMENSIONS	DB	WT. (LBS)
3PBPS1431-2D18	14 X 31 X 12	81-1/4" X 36-1/2"	18"	150
3PBPS1431-2D24	14 X 31 X 12	93-1/4" X 36-1/2"	24"	160
3PBPS1431-2D30	14 X 31 X 12	105-1/4" X 36-1/2"	30"	171

## (14" DEEP) 16GA - "3PBPS-2DB" PRO-BOWL PLATTER SINKS

MODEL	BOWL SIZE	DIMENSIONS	DB	WT. (LBS)
3PBPS14314-2D18	14 X 31 X 14	81-1/4" X 36-1/2"	18"	161
3PBPS14314-2D24	14 X 31 X 14	93-1/4" X 36-1/2"	24"	171
3PBPS14314-2D30	14 X 31 X 14	105-1/4" X 36-1/2"	30"	181

SOME UNITS SHIP UNASSEMBLED FOR REDUCED SHIPPING COST. ALL DIMENSIONS ARE TYPICAL. TOLERANCE +/- .500"  
 John Boos & Co. is constantly engaged in a program of improving products and therefore reserves the right to change specifications without prior notice.



3601 S. Banker St. • Effingham, IL 62401 • PO BOX 609 • quotes@johnboos.com



www.johnboos.com