



Project:

Item Number:

Quantity:

**FOOD PROCESSOR**



*Food Processor*

**MODELS**

**40826 Commercial Food Processor**

**FEATURES**

- Chops, mixes, and blends
- Suitable for continuous use applications
- Anodized aluminum body and stainless steel bowl for attractive look and easy cleaning
- Removable stainless steel "S" blade and bowl for easy cleaning
- Safety cutoff switch stops blade when lid is removed
- Non-skid rubber feet

**DESCRIPTION**

A right-on-the-money Commercial Food Processor that gives you the functionality you need, in an efficient, heavy-duty package. Great for preparing pâtés, mayonnaise, salsa, and guacamole, and for chopping nuts and vegetables. Ideal unit for pizza toppings and Mexican sauces, or to puree patients' food in hospitals and assisted living facilities.

**Agency Listings**



*Due to continued product improvement, please consult [www.vollrathco.com](http://www.vollrathco.com) for current product specifications.*

Approvals
<p style="text-align: right;"><b>Date:</b></p>



Setting the Standard™

[www.vollrathco.com](http://www.vollrathco.com)

The Vollrath Company, L.L.C.  
1236 North 18th Street  
Sheboygan, WI 53081-3201 U.S.A.  
Customer Service: 800.628.0830  
Canada Customer Service: 800.695.8560  
Main Fax: 800.752.5620 or 920.459.6573

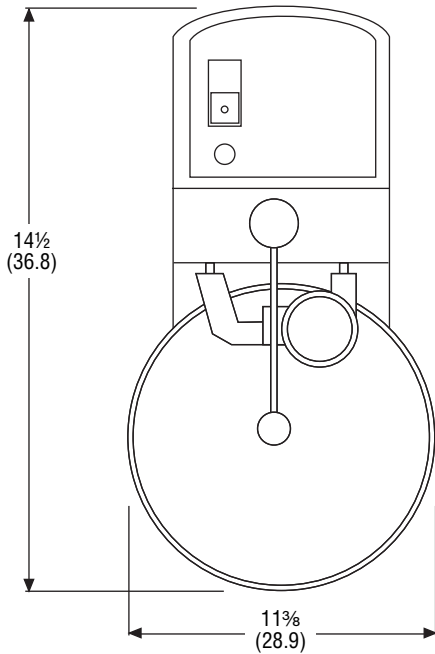
Technical Services: 800.628.0832  
Technical Services Fax: 920.459.6573

# FOOD PROCESSOR

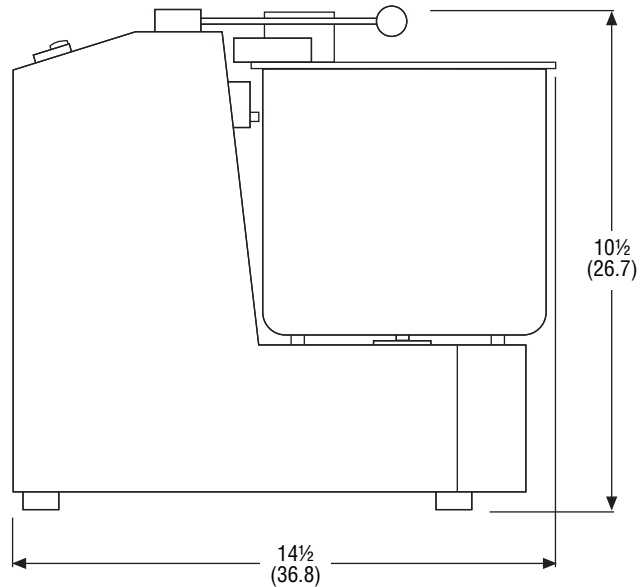
**MODELS** 40826 Commercial Food Processor

## DIMENSIONS

Dimensions shown in inches (cm).



Top View

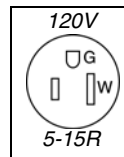


Side View

## SPECIFICATIONS

Item	Capacity	Voltage	HP	Amps	Plug
40826	3 Qt	115	1/3	2.6	5-15P

### Receptacles



www.vollrathco.com

The Vollrath Company, L.L.C.  
 1236 North 18th Street  
 Sheboygan, WI 53081-3201 U.S.A.  
 Customer Service: 800.628.0830  
 Canada Customer Service: 800.695.8560  
 Main Fax: 800.752.5620 or 920.459.6573

Technical Services: 800.628.0832  
 Technical Services Fax: 920.459.6573