



Outperform every day.™

Project:
Item Number:
Quantity:

HEAVY-DUTY ELECTRIC SLICER



Heavy-Duty Electric Slicer

ITEMS

Item No.	Model No.	Description
40952	SLP300/S	12" Heavy-Duty Slicer, 35°

FEATURES

- 1/2 peak HP heavy-duty motor for continuous use and higher torque for cheese slicing
- Expanded 1" (2.5 cm) slice thickness
- Proprietary non-stick coating reduces drag, and makes your slicer easier to clean
- Built-in sharpener
- 35 degree gravity feed maximizes productivity by reducing operator fatigue and discomfort
- Safety hand guard mounted to carriage
- Safety cover under motor
- Hard coated anodized aluminum body
- Non-marking, non-skid rubber feet
- Belt driven. Durable, long-wearing belt provides reliable service.
- Solid aluminum slice adjustment knob for precise and consistent slice thickness
- Removable carriage for easy cleaning
- Large receiving tray
- Safe blade Removal System
- Permanent blade rim guard for safety
- 6'4" (1.9 m) cord with plug

DESCRIPTION

The Vollrath Heavy-Duty Electric Slicer is ideal for slicing meats and cheeses in higher-volume operations such as large restaurants.

Agency Listings



Certified to
NSF/ANSI 8
(Pending)

WARRANTY: All models shown come with Vollrath's standard one year warranty against defects in materials and workmanship. The warranty period on the belt is five years. For full warranty details, please refer to www.Vollrath.com.

Approvals	Date

Due to continued product improvement, please consult www.vollrath.com for current product specifications.



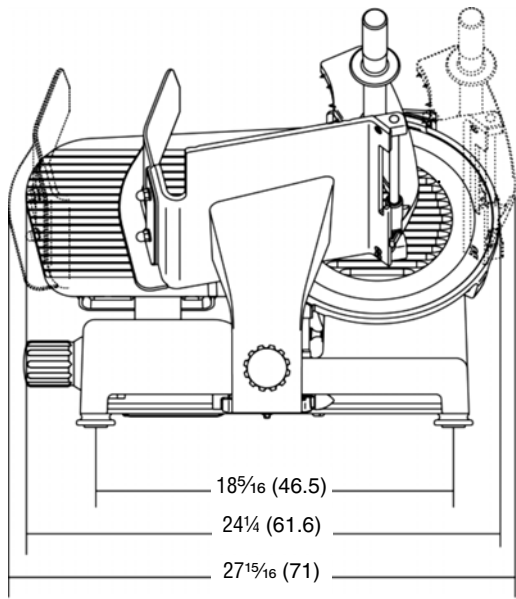
Outperform every day.™
www.vollrath.com

The Vollrath Company, L.L.C.
1236 North 18th Street
Sheboygan, WI 53081-3201 U.S.A.
Main Tel: 800.624.2051 or 920.457.4851
Main Fax: 800.752.5620 or 920.459.6573
Customer Service: 800.628.0830
Canada Customer Service: 800.695.8560

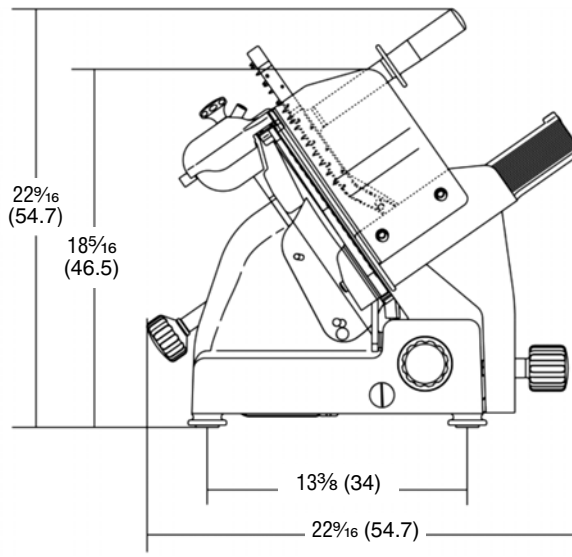
Technical Services
techservicereps@vollrathco.com
Induction Products: 800.825.6036
Countertop Warming Products:
800.354.1970
All Other Products: 800.628.0832

HEAVY-DUTY ELECTRIC SLICER

DIMENSIONS (Shown in inches (cm))



Side View

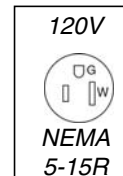


Front View

SPECIFICATIONS

Item No.	Description	Peak HP	Voltage	Amps	Hertz	Weight Lbs (Kg)	Plug
40952	12" Heavy-Duty Slicer, 35°	1/2	120	2	60	77 (35)	NEMA 5-15P

Receptacle



Outperform every day.™

www.vollrath.com

The Vollrath Company, L.L.C.
 1236 North 18th Street
 Sheboygan, WI 53081-3201 U.S.A.
 Main Tel: 800.624.2051 or 920.457.4851
 Main Fax: 800.752.5620 or 920.459.6573
 Customer Service: 800.628.0830

Technical Services
techservicereps@vollrathco.com
 Induction Products: 800.825.6036
 Countertop Warming Products:
 800.354.1970
 All Other Products: 800.628.0832