



Outperform every day.™

Project:  
Item Number:  
Quantity:

## HEAVY-DUTY DELI ELECTRIC SLICER



Heavy-Duty Deli Electric Slicer

### ITEMS

Item No.	Model No.	Description
40955	SLP330E/S	13" Heavy-Duty Deli Slicer, 35°

### FEATURES

- 1/2 peak HP heavy-duty motor for continuous use and higher torque for cheese slicing
- Expanded 1" (2.5 cm) slice thickness
- Proprietary non-stick coating reduces drag, and makes your slicer easier to clean
- Built-in sharpener
- 35 degree gravity feed maximizes productivity by reducing operator fatigue and discomfort
- Extra-long slide rod to accommodate large loaves of meats and cheese
- Safety hand guard mounted to carriage
- Safety cover under motor
- Hard coated anodized aluminum body
- Non-marking, non-skid rubber feet
- Belt driven. Durable, long-wearing belt provides reliable service.
- Solid aluminum slice adjustment knob for precise and consistent slice thickness
- Carriage tray tilts open with zero blade exposure for safety and easy cleaning
- Large receiving tray
- Safe Blade Removal System
- Permanent blade rim guard for safety
- Kickstand to easily and safely clean underneath the slicer
- 6'4" (1.9 m) cord with plug

### DESCRIPTION

The Vollrath Heavy-Duty Deli Electric Slicer is designed for high-volume retail operations that demand durability for continuous use, options to slice the widest variety of food and easy clean-up.

#### Agency Listings



Due to continued product improvement, please consult [www.vollrath.com](http://www.vollrath.com) for current product specifications.

**WARRANTY:** All models shown come with Vollrath's standard one year warranty against defects in materials and workmanship. The warranty period on the belt is five years. For full warranty details, please refer to [www.Vollrath.com](http://www.Vollrath.com).

Approvals	Date



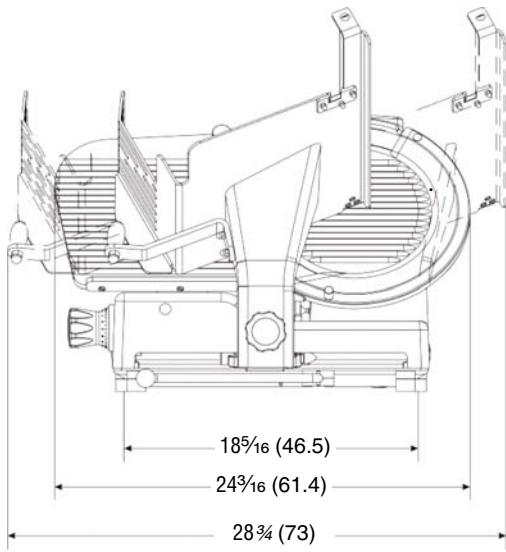
Outperform every day.™  
[www.vollrath.com](http://www.vollrath.com)

**The Vollrath Company, L.L.C.**  
1236 North 18th Street  
Sheboygan, WI 53081-3201 U.S.A.  
Main Tel: 800.624.2051 or 920.457.4851  
Main Fax: 800.752.5620 or 920.459.6573  
Customer Service: 800.628.0830  
Canada Customer Service: 800.695.8560

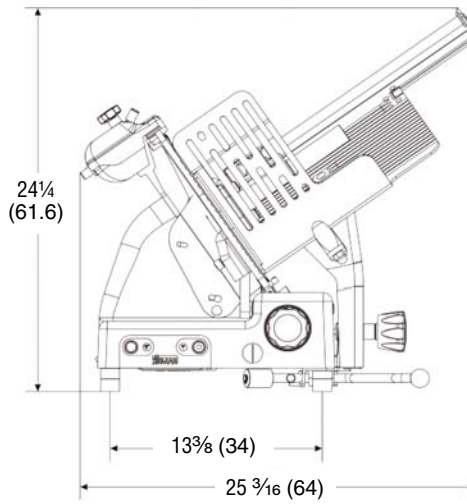
Technical Services  
[techservicereps@vollrathco.com](mailto:techservicereps@vollrathco.com)  
Induction Products: 800.825.6036  
Countertop Warming Products:  
800.354.1970  
All Other Products: 800.628.0832

# HEAVY-DUTY DELI ELECTRIC SLICER

## DIMENSIONS (Shown in inches (cm))



Side View

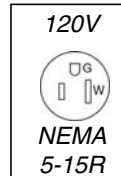


Front View

## SPECIFICATIONS

Item No.	Description	Peak HP	Voltage	Amps	Hertz	Weight Lbs (Kg)	Plug
40955	13" Heavy-Duty Deli Slicer, 35°	1/2	120	2	60	81 (37)	NEMA 5-15P

### Receptacle



Outperform every day.™

[www.vollrath.com](http://www.vollrath.com)

**The Vollrath Company, L.L.C.**  
 1236 North 18th Street  
 Sheboygan, WI 53081-3201 U.S.A.  
 Main Tel: 800.624.2051 or 920.457.4851  
 Main Fax: 800.752.5620 or 920.459.6573  
 Customer Service: 800.628.0830

**Technical Services**  
[techservicereps@vollrathco.com](mailto:techservicereps@vollrathco.com)  
 Induction Products: 800.825.6036  
 Countertop Warming Products:  
 800.354.1970  
 All Other Products: 800.628.0832