



**SaniServ**<sup>®</sup>  
An AFFINIS GROUP Company

Item No. \_\_\_\_\_  
Quantity \_\_\_\_\_  
Job Name \_\_\_\_\_

*Designed For Higher Volume Applications*

Seven – 4 oz. Servings per Minute per Side  
and 20-Quart Capacity per Side

**Great for Ice Cream Shops, Cafeterias, Commissaries**

**Model 424**

Floor Model

**Twin Soft Serve Ice Cream /  
Yogurt Machine**

The **SaniServ** Model 424 Twin Flavor Soft Serve and Frozen Yogurt Machine can provide not one but two favorite high profit, consistent quality soft serve and yogurt products in a dual barrel design! The ease of the model 424's operation and product versatility is a favorite among owners and operators. The high production, capacity and recovery time insures the 424 is a perfect piece of equipment for satisfying enough of any two customer favorite frozen treats at any time!

**Heavy Duty**

**Traditional Floor Model Design** - **SaniServ** provides a high volume of two flavors of soft serve and frozen yogurt products in the traditional floor model design. Operators can turn that valuable floor space into a high profit center by providing two frozen favorite treats customers enjoy!

**Easy Cleaning and Operation**

**Fewer Parts = Simplified Cleaning** – **SaniServ** equipment is designed and built with the fewer parts to be disassembled, cleaned and sanitized than any other machine in the industry.

**High Return on Investment**

**Increased Profits** – **SaniServ** machines combine efficiency with consistent product quality and fast quiet operation while insuring customer satisfaction with high profit ice cream or yogurt products.

**Quality Design**

**Durability** – **SaniServ** machines are built to achieve long and dependable life through simplicity of design. Every machine is shipped standard with a stainless steel exterior, durable steel interior frame construction, heavy-duty components and consistency systems.



Made in the USA

**“Reliability from the team that Serves the Best”**

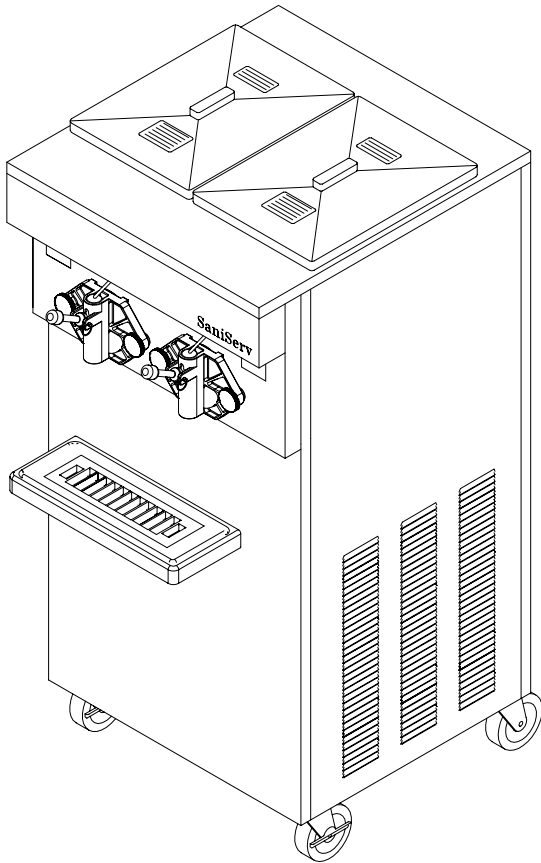
**SaniServ®**

451 East County Line Road  
P.O. Box 1089  
Mooreville, IN 46158  
Ph: 317/831-7030 Fax: 317/831-7036

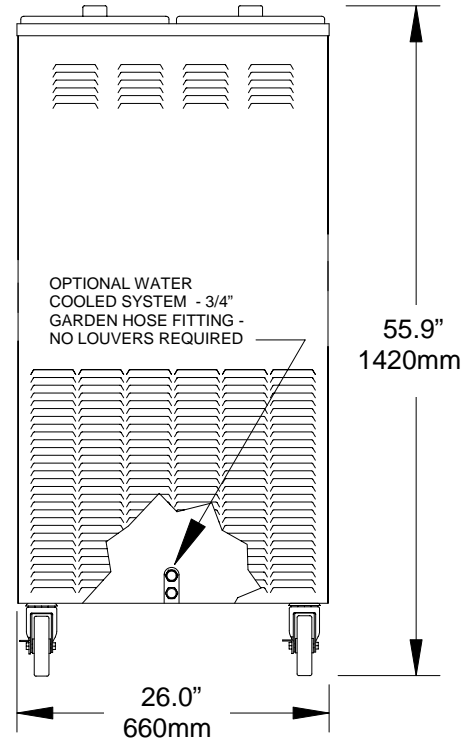
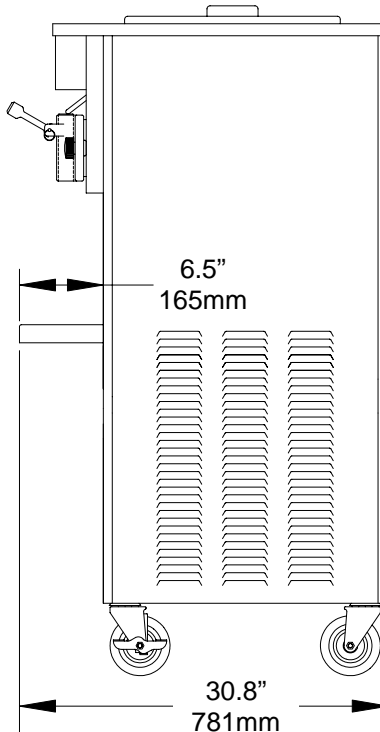
**Model 424**

**Floor Model Twin Soft Serve/Yogurt Freezer**

For sales information contact:



Minimum Wall Clearance  
Both Sides and Back -  
6 inches (152mm)



	WIDTH INCHES (mm)	HEIGHT INCHES (mm)	DEPTH INCHES (mm)	ELECTRICAL VOLTS/Hz/PHASE	AMPS	WEIGHT LBS (kg)
MACHINE	26.0 (660)	55.9 (1420)	30.8 (781)	208-230/60/1	2x30	575 (261)
MACHINE	26.0 (660)	55.9 (1420)	30.8 (781)	208-230/60/3	2x20	575 (261)
MACHINE CRATED	37.0 (940)	60.0 (1524)	41.0 (1041)			615 (280)

**Quick Recovery...  
Two Flavors...  
Two Products...  
Compact and Durable...  
Simple in design for easy  
cleaning...  
Heavy duty components...**

**Standard Electrical:**  
(2) 208-230/60 Hz/1Ø/30 Amp  
(2) 208-230/60 Hz/3Ø/20 Amp

**Controls:** Automatic consistency controls for improved product consistency.

**Solid State Automatic Visual Mix Out Systems** for the protection of your investment.

**Evaporator and Mix Reservoir Capacity:** 20 Quarts (18.9 liters) per side

**Construction:** Welded Steel Support, Stainless Steel Exterior, Casters Standard.

**Dashers:** Heavy-Duty Stainless Steel with low friction scraper blades.

**Dasher and Compressor Motors:**  
(2) 1.25 HP Dashers  
(2) 2.00 HP Compressors

**Shipping Volume:** 52.67 Ft<sup>3</sup> (1.49 m<sup>3</sup>)

**Refrigerant Type:** R404A

**Listings:** UL, cUL, NSF

**Warranty:** Parts 1 year  
Compressor 5 years

**Equipment Options:**  
Water Cooled - 3/4" (19.05 mm) Garden Hose Fitting  
Wash Out Kit - 3/8" (9.525 mm) Flare Fitting  
Tune Up Kit  
Parts Tray  
Syrup Rail  
50 Hz Voltages Available

We reserve the right to change specifications and product design without notice. Such revisions do not entitle the buyer to corresponding changes, improvements, additions or replacements for previously purchased equipment.