



**John
BOOS**
Since 1887

ITEM #: _____ QTY: _____
 MODEL #: _____
 PROJECT NAME: _____

3601 S. Banker St. Effingham, IL 62401 • P.O. BOX 609 • Ph: (888) 431-2667 • Fax: (800) 433-2667

"44PB-1DB" PRO-BOWL COMPARTMENT SINKS 14GA



4 COMPARTMENT WITH 1 DRAIN BOARD - STAINLESS STEEL BASE

FEATURES:

- STANDARD 14GA TYPE 300 STAINLESS STEEL WITH #4 POLISH, SATIN FINISH
- 12" & 14" DEEP BOWLS
- ALL CORNERS, BOTH VERTICAL AND HORIZONTAL, COVERED AT 5/8" RADIUS
- BOTTOMS OF BOWLS FORMED FOR DRAINAGE TO 3-1/2" DIAMETER DIE STAMPED OPENING
- FULL LENGTH **10" HIGH BOXED BACKSPLASH**, WITH 2" RETURN TO WALL AT 45 DEGREE AND 3/4" TURNED DOWN REAR LIP
- 2 SETS OF FAUCET HOLES 8" ON-CENTER
- 1-1/8" FAUCET HOLES IN BACKSPLASH
- SOLID STAINLESS STEEL FRONT PANEL, TYPE 300 STAINLESS STEEL WITH #4 POLISH, SATIN FINISH
- ALL OUTSIDE CORNERS OF ASSEMBLY ARE BULLNOSED TO PROVIDE SAFE, CLEAN, AND POLISHED EDGE

MATERIAL:

- BOWLS & TOP: 14GA TYPE 300 STAINLESS STEEL WITH #4 POLISH, SATIN FINISH
- LEGS: 1-5/8" ROUND O.D. STAINLESS STEEL
- BRACING: 1-1/4" ROUND O.D. STAINLESS STEEL
- GUSSETS: STAINLESS STEEL
- FEET: 1" ADJUSTABLE STAINLESS STEEL BULLET FEET



SPECIFY LEFT SIDE OR RIGHT SIDE DRAIN BOARD

CONSTRUCTION:

- TOP: STAINLESS STEEL SINKS ARE TIG WELDED, EXPOSED WELDS ARE POLISHED TO MATCH ADJACENT SURFACE
- BASE: STAINLESS STEEL BASES, STANDARD K.D.

14GA - "44PB-1DB" COMPARTMENT SINK

12" DEEP	QTY	14" DEEP	QTY
44PB1618-1D18		44PB16184-1D18	
44PB1618-1D24		44PB16184-1D24	
44PB18-1D18		44PB184-1D18	
44PB18-1D24		44PB184-1D24	
44PB18-1D30		44PB184-1D30	
44PB1824-1D18		44PB18244-1D18	
44PB1824-1D24		44PB18244-1D24	
44PB1824-1D30		44PB18244-1D30	
44PB24-1D24		44PB244-1D24	
44PB24-1D30		44PB244-1D30	
44PB3024-1D30		44PB30244-1D30	
44PB3024-1D36		44PB30244-1D36	

OPTIONAL ACCESSORIES

DESCRIPTION	QTY
END SPLASHES, R, L, OR BOTH	
FAUCETS	
ADD-A-FAUCETS	
PRE-RINSE UNITS	
LEVEL WASTE	
OVERSHELVES	
POT RACK	

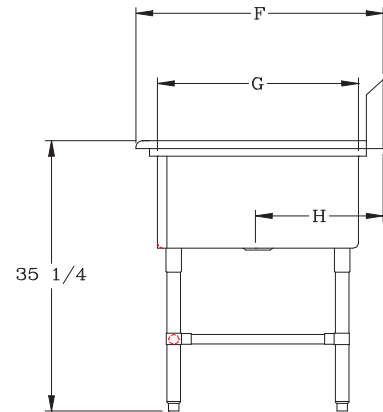
DETAILED SPECIFICATIONS

BOWLS

BOWL SIZE	F	G	H
16" X 18"	23-1/2"	18"	11-15/16"
16" X 20"	25-1/2"	20"	12-15/16"
18" X 18"	23-1/2"	18"	11-15/16"
18" X 24"	29-1/2"	24"	14-15/16"
24" X 24"	29-1/2"	24"	14-15/16"
30" X 24"	29-1/2"	24"	14-15/16"

(12" DEEP) 14GA - "44PB-1DB" COMPARTMENT SINK

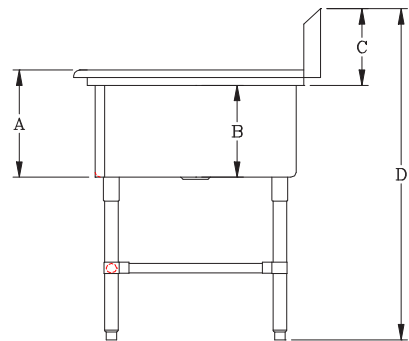
MODEL	BOWL SIZE	DIMENSIONS	DB	WT. (LBS)
44PB1618-1D18	16 X 18 X 12	86-3/16" X 23-1/2"	18"	172
44PB1618-1D24	18 X 18 X 12	92-3/16" X 23-1/2"	24"	177
44PB18-1D18	18 X 18 X 12	94-3/16" X 23-1/2"	18"	185
44PB18-1D24	18 X 18 X 12	100-3/16" X 23-1/2"	24"	190
44PB18-1D30	18 X 18 X 12	106-3/16" X 23-1/2"	30"	194
44PB1824-1D18	18 X 24 X 12	94-3/16" X 29-1/2"	18"	209
44PB1824-1D24	18 X 24 X 12	100-3-16" X 29-1/2"	24"	215
44PB1824-1D30	18 X 24 X 12	106-3/16" X 29-1/2"	30"	221
44PB24-1D24	24 X 24 X 12	124-3/16" X 29-1/2"	24"	256
44PB24-1D30	24 X 24 X 12	130-3/16" X 29-1/2"	30"	262
44PB3024-1D30	30 X 24 X 12	154-3/16" X 29-1/2"	30"	303
44PB3024-1D36	30 X 24 X 12	160-3/16" X 29-1/2"	36"	309



(14" DEEP) 14GA - "44PB-1DB" COMPARTMENT SINK

MODEL	BOWL SIZE	DIMENSIONS	DB	WT. (LBS)
44PB16184-1D18	16 X 18 X 14	86-3/16" X 23-1/2"	18"	186
44PB16184-1D24	18 X 18 X 14	92-3/16" X 23-1/2"	24"	191
44PB184-1D18	18 X 24 X 14	94-3/16" X 23-1/2"	18"	200
44PB184-1D24	24 X 24 X 14	100-3/16" X 23-1/2"	24"	205
44PB184-1D30	18 X 18 X 14	106-3/16" X 23-1/2"	30"	210
44PB18244-1D18	18 X 24 X 14	94-3/16" X 29-1/2"	18"	227
44PB18244-1D24	18 X 24 X 14	100-3-16" X 29-1/2"	24"	232
44PB18244-1D30	18 X 24 X 14	106-3/16" X 29-1/2"	30"	238
44PB244-1D24	24 X 24 X 14	124-3/16" X 29-1/2"	24"	277
44PB244-1D30	24 X 24 X 14	130-3/16" X 29-1/2"	30"	282
44PB30244-1D30	30 X 24 X 14	154-3/16" X 29-1/2"	30"	326
44PB30244-1D36	30 X 24 X 14	160-3/16" X 29-1/2"	36"	332

	12" DEEP	14" DEEP
A	14"	16"
B	12"	14"
C	10"	10"
D	43"	43"



SOME UNITS SHIP UNASSEMBLED FOR REDUCED SHIPPING COST. ALL DIMENSIONS ARE TYPICAL. TOLERANCE +/- .500"
 John Boos & Co. is constantly engaged in a program of improving products and therefore reserves the right to change specifications without prior notice.



3601 S. Banker St. • Effingham, IL 62401 • PO BOX 609 • quotes@johnboos.com



www.johnboos.com