



**John  
BOOS**  
Since 1887

ITEM #: \_\_\_\_\_ QTY: \_\_\_\_\_  
 MODEL #: \_\_\_\_\_  
 PROJECT NAME: \_\_\_\_\_

3601 S. Banker St. Effingham, IL 62401 • P.O. BOX 609 • Ph: (888) 431-2667 • Fax: (800) 433-2667

## **"44PB-2DB" PRO-BOWL COMPARTMENT SINKS 14GA**



### **4 COMPARTMENT WITH 2 DRAIN BOARDS - STAINLESS STEEL BASE**

#### **FEATURES:**

- STANDARD 14GA TYPE 300 STAINLESS STEEL WITH #4 POLISH, SATIN FINISH
- 12" & 14" DEEP BOWLS
- ALL CORNERS, BOTH VERTICAL AND HORIZONTAL, COVERED AT 5/8" RADIUS
- BOTTOMS OF BOWLS FORMED FOR DRAINAGE TO 3-1/2" DIAMETER DIE STAMPED OPENING
- FULL LENGTH **10" HIGH BOXED BACKSPLASH**, WITH 2" RETURN TO WALL AT 45 DEGREE AND 3/4" TURNED DOWN REAR LIP
- 2 SETS OF FAUCET HOLES 8" ON-CENTER
- 1-1/8" FAUCET HOLES IN BACKSPLASH
- SOLID STAINLESS STEEL FRONT PANEL, TYPE 300 STAINLESS STEEL WITH #4 POLISH, SATIN FINISH
- ALL OUTSIDE CORNERS OF ASSEMBLY ARE BULLNOSED TO PROVIDE SAFE, CLEAN, AND POLISHED EDGE

#### **MATERIAL:**

- BOWLS & TOP: 14GA TYPE 300 STAINLESS STEEL WITH #4 POLISH, SATIN FINISH
- LEGS: 1-5/8" ROUND O.D. STAINLESS STEEL
- BRACING: 1-1/4" ROUND O.D. STAINLESS STEEL
- GUSSETS: STAINLESS STEEL
- FEET: 1" ADJUSTABLE STAINLESS STEEL BULLET FEET



#### **CONSTRUCTION:**

- TOP: STAINLESS STEEL SINKS ARE TIG WELDED, EXPOSED WELDS ARE POLISHED TO MATCH ADJACENT SURFACE
- BASE: STAINLESS STEEL BASES, STANDARD K.D.

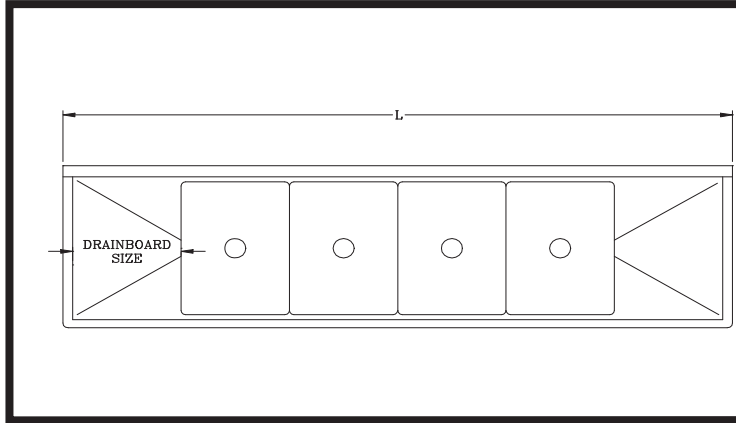
#### **14GA - "44PB-2DB" COMPARTMENT SINK**

12" DEEP	QTY	14" DEEP	QTY
44PB1618-2D18		44PB16184-2D18	
44PB1618-2D24		44PB16184-2D24	
44PB18-2D18		44PB184-2D18	
44PB18-2D24		44PB184-2D24	
44PB18-2D30		44PB184-2D30	
44PB1824-2D18		44PB18244-2D18	
44PB1824-2D24		44PB18244-2D24	
44PB1824-2D30		44PB18244-2D30	
44PB24-2D24		44PB244-2D24	
44PB24-2D30		44PB244-2D30	
44PB3024-2D30		44PB30244-2D30	
44PB3024-2D36		44PB30244-2D36	

#### **OPTIONAL ACCESSORIES**

DESCRIPTION	QTY
END SPLASHES, R, L, OR BOTH	
FAUCETS	
ADD-A-FAUCETS	
PRE-RINSE UNITS	
LEVEL WASTE	
OVERSHELVES	
POT RACK	

# DETAILED SPECIFICATIONS

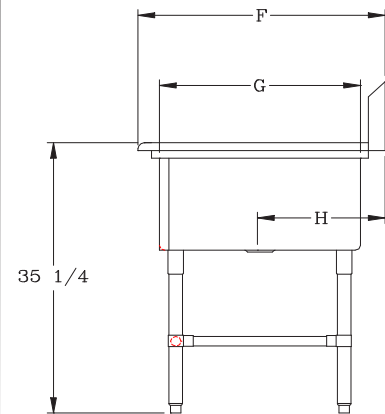


## BOWLS

BOWL SIZE	F	G	H
16" X 18"	23-1/2"	18"	11-15/16"
16" X 20"	25-1/2"	20"	12-15/16"
18" X 18"	23-1/2"	18"	11-15/16"
18" X 24"	29-1/2"	24"	14-15/16"
24" X 24"	29-1/2"	24"	14-15/16"
30" X 24"	29-1/2"	24"	14-15/16"

### (12" DEEP) 14GA - "44PB-2DB" COMPARTMENT SINK

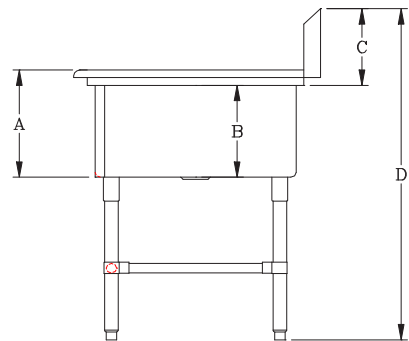
MODEL	BOWL SIZE	DIMENSIONS	DB	WT. (LBS)
44PB1618-2D18	16 X 18 X 12	103-1/4" X 23-1/2"	18"	184
44PB1618-2D24	18 X 18 X 12	115-1/4" X 23-1/2"	24"	194
44PB18-2D18	18 X 18 X 12	111-1/4" X 23-1/2"	18"	197
44PB18-2D24	18 X 18 X 12	123-1/4" X 23-1/2"	24"	206
44PB18-2D30	18 X 18 X 12	135-1/4" X 23-1/2"	30"	216
44PB1824-2D18	18 X 24 X 12	114-1/4" X 29-1/2"	18"	224
44PB1824-2D24	18 X 24 X 12	123-1/4" X 29-1/2"	24"	235
44PB1824-2D30	18 X 24 X 12	135-1/4" X 29-1/2"	30"	246
44PB24-2D24	24 X 24 X 12	147-1/4" X 29-1/2"	24"	276
44PB24-2D30	24 X 24 X 12	156-1/4" X 29-1/2"	30"	287
44PB3024-2D30	30 X 24 X 12	183-1/4" X 29-1/2"	30"	329
44PB3024-2D36	30 X 24 X 12	195-1/4" X 29-1/2"	36"	340



### (14" DEEP) 14GA - "44PB-2DB" COMPARTMENT SINK

MODEL	BOWL SIZE	DIMENSIONS	DB	WT. (LBS)
44PB16184-2D18	16 X 18 X 14	103-1/4" X 23-1/2"	18"	198
44PB16184-2D24	18 X 18 X 14	115-1/4" X 23-1/2"	24"	208
44PB184-2D18	18 X 24 X 14	111-1/4" X 23-1/2"	18"	212
44PB184-2D24	24 X 24 X 14	123-1/4" X 23-1/2"	24"	222
44PB184-2D30	18 X 18 X 14	135-1/4" X 23-1/2"	30"	231
44PB18244-2D18	18 X 24 X 14	114-1/4" X 29-1/2"	18"	241
44PB18244-2D24	18 X 24 X 14	123-1/4" X 29-1/2"	24"	252
44PB18244-2D30	18 X 24 X 14	135-1/4" X 29-1/2"	30"	263
44PB244-2D24	24 X 24 X 14	147-1/4" X 29-1/2"	24"	297
44PB244-2D30	24 X 24 X 14	156-1/4" X 29-1/2"	30"	308
44PB30244-2D30	30 X 24 X 14	183-1/4" X 29-1/2"	30"	352
44PB30244-2D36	30 X 24 X 14	195-1/4" X 29-1/2"	36"	363

	12" DEEP	14" DEEP
A	14"	16"
B	12"	14"
C	10"	10"
D	43"	43"



SOME UNITS SHIP UNASSEMBLED FOR REDUCED SHIPPING COST. ALL DIMENSIONS ARE TYPICAL. TOLERANCE +/- .500"  
 John Boos & Co. is constantly engaged in a program of improving products and therefore reserves the right to change specifications without prior notice.



3601 S. Banker St. • Effingham, IL 62401 • PO BOX 609 • quotes@johnboos.com



[www.johnboos.com](http://www.johnboos.com)