

Enclosed Tray Trucks

Elite Series™ - Stainless Steel

Designed For Delivery Of Insulated Meal Trays.



Model 5720

- Accommodates 10 or 20 each, 14" x 18" or 15" x 20" size trays, one per ledge.
- Doors open 270° for unobstructed access.
- Paddle latch door catch assures positive door closure and convenient one-hand opening.
- Easy-grip recessed handles on both ends for increased maneuverability.
- Cart body and removable stainless steel ledge panels are easily cleaned and sanitized.
- Base corner bumpers protect walls, furnishings and doors.
- Compartment floor drain facilitates interior cleaning.
- Space saving narrow design.



Specifications

Unit shall be of Type 304 stainless steel welded and riveted construction to accommodate 14" x 18" (356 x 457 mm) or 15" x 20" (381 x 508 mm) trays. Material thickness shall be 16 gauge for top and floor/base, 20 gauge for sides and back. Door(s) shall be of 20 gauge insulated double-pan design, and shall be mounted to unit frame with two each 3" (76 mm) heavy-duty stainless steel hinges. Hinges shall be welded to door(s) and unit frame. Door(s) shall swing 270° to provide full access to tray compartments, and shall be easily removable by lifting off of hinges. Door latches shall be recessed paddle design. Tray ledges shall be of 18 gauge stainless steel angle, welded to a 18 gauge stainless frame panel at 5" (127 mm) spacing. Ledge panels shall be designed to accommodate 14" x 18" or 15" x 20" trays, and shall be removable for easy cleaning. Tray compartment(s) shall have vents on end panels and shall have perforated floor center drain(s). Unit shall feature 1 1/4" (32 mm) thick extruded PVC rounded bumpers mounted to corners of unit base, and recessed vertical handles on sides at both ends of unit. Four each casters shall be extra-load plate type, two fixed and two swivel, mounted to a 14 gauge stainless steel dolly on unit base. Swivel casters shall feature shielded ball bearing races and zerk fittings for lubrication of swivel bearings. Caster wheels shall be 6" (152 mm) diameter with 2" wide rounded tread of non-marking cushion material. Two casters shall have brake. Unit shall be NSF listed.

Optional Accessories

- Custom Ledge Spacing
- Transport Door Latch
- 8" Casters
- Menu Card Holder
- Full Perimeter Bumper
- Center Mount Fixed Casters
- End Mount Recessed Push Handles
- Towing Hitch
- Creased Compartment Floor (for drain)



Lakeside Manufacturing, Inc.

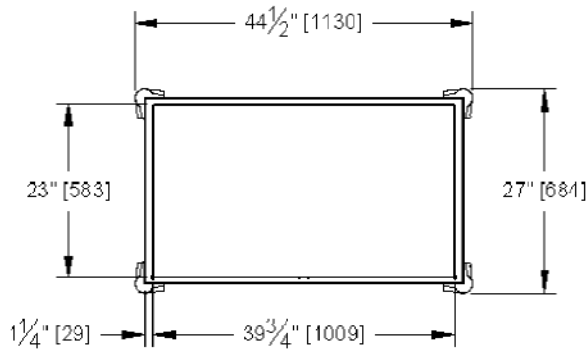
4900 West Electric Avenue • West Milwaukee, WI 53219 U.S.A.
800-558-8565 • 414-902-6400 • Fax 414-902-6446 • www.eLakeside.com

Enclosed Tray Trucks

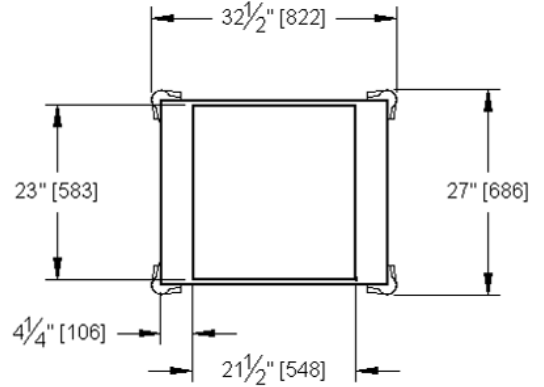
Elite Series™ - Stainless Steel

AIA #

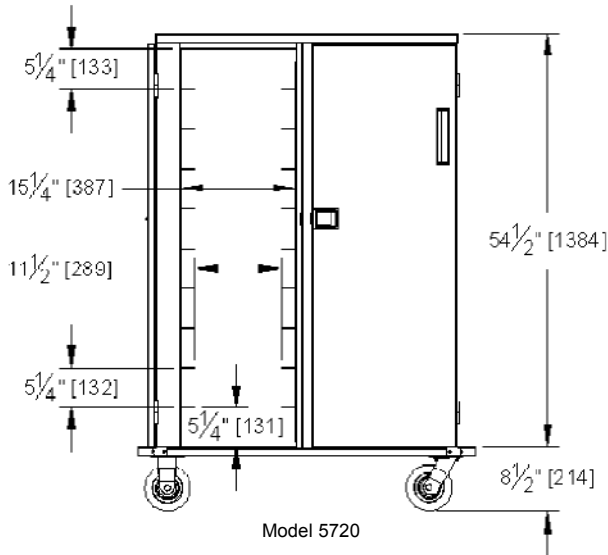
Spec. #



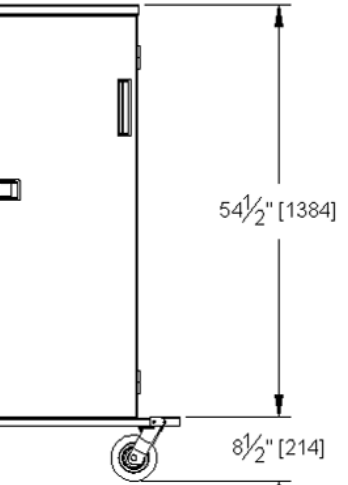
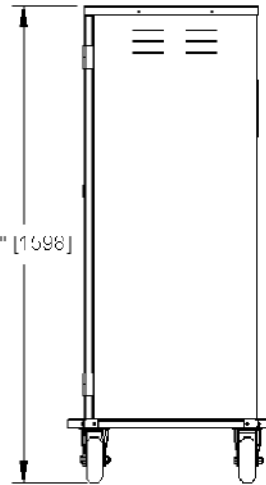
Top Views



End View



Model 5720



Model 5710

AutoCAD drawings available through KCL CADalog

Dimensions

Model	Tray Capacity*		Ledge Spacing	# of Interior Compartments	Overall Sizes			Lake-Glide® Casters		Case Weight	
					W	D	H	Type	Dia.	Lbs.	(Kg)
5710	10 ea.	14" x 18" or 15" x 20"	5-1/4"	1	32-1/2"	27"	63"	2 swivel, 2 fixed	6"	170	(77)
		(356 x 457) or (381 x 508)	(133)		(822)	(684)	(1598)		(152)		
5720	20 ea.	14" x 18" or 15" x 20"	5-1/4"	2	44-1/2"	27"	63"	2 swivel, 2 fixed	6"	265	(120)
		(356 x 457) or (381 x 508)	(133)		(1130)	(684)	(1598)		(152)		

*One tray per ledge
Measurements in () denote metric millimeters, unless otherwise specified.



Lakeside Manufacturing, Inc.

4900 West Electric Avenue • West Milwaukee, WI 53219 U.S.A.
800-558-8565 • 414-902-6400 • Fax 414-902-6446 • www.eLakeside.com