

Item#

Project

Date

Models: 5311, 5512, 5711

5000 Series Electronic Control Beverage Freezers



Model 5311



Model 5512

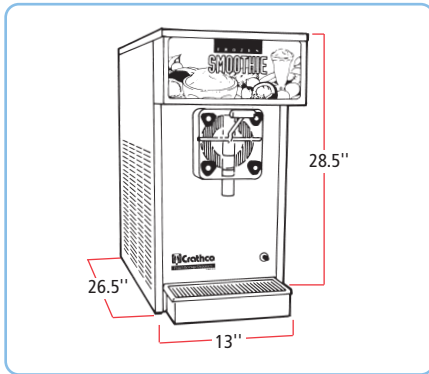
Features

- **Versatile** – Serve frozen smoothies, shakes, frozen cappuccino/granita latté, frozen cocktails, granita, frozen fruit juices, frozen lemonade, or slush.
- **Patented FlavorLight™** – Illuminates the frozen product with your choice of eye catching back-lit signs, draw customers & increase sales.
- **Compact** – Model 5311 is only 13" (33cm) wide but more than doubles the output capacity of visual beverage freezers.
- **"Mix Low" Light** – alerts user when to refill reservoir.
- Freezing cylinder automatically refills from refrigerated storage hopper... No need to wait for product to refreeze after refilling.
- Electronic control maintains precise product quality. Separate hopper Stand-By Mode included at no charge.
- Optional front mounted spinner blends in an unlimited variety of custom flavors.
- NSF Standard 6 listed (dairy products).

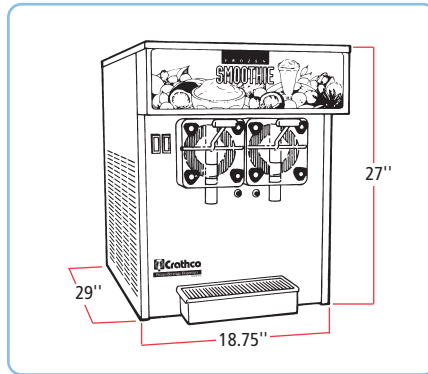
Models & Dimensions



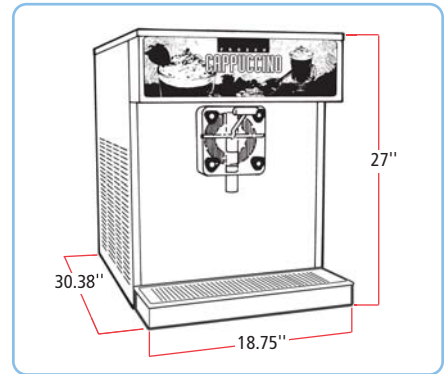
5311 Single Barrel Beverage Freezer



5512 Twin Barrel Beverage Freezer



5711 Single Barrel Beverage Freezer



Specifications



NEMA 5-20R
5311 Models Only*



NEMA 6-20R
5512 / 5711 Models**

Model	Capacity	# of Barrels	Com-pres.	Drive Motor	Dimensions (H x W x D)	Ship Dimensions (H x W x D)	Electrical	Ship Weight
5311	5-7 gal./hr Frozen: 1.5 gal. (5.6L) Storage: 5.0 gal. (19L) Total: 6.5 gal. (24.6L)	1	.75 hp Air Cooled	.25 hp	28.5" x 13" x 26.5" (72 cm x 33 cm x 74 cm) Includes Pad	33.5" x 20.5" x 37" (85 cm x 52 cm x 94 cm)	120V, 1920W, 16A Required Circuit: 120V 20A NEMA #5-20R	192 lbs. (86 kg)
5512	8-10 gal./hr Frozen: 1.5 gal. (5.6L) Storage: 2.25 gal. (8.5L) Total: 3.75 gal. (14.1L)	2	1 hp Air Cooled	(2) .25 hp	27" x 18.75" x 29" (69 cm x 48 cm x 74 cm) Includes Pad	35.5" x 22.5" x 31.25" (90 cm x 57 cm x 79 cm)	208/230V, 2645W, 11.5A Required Circuit: 208/230V 20A NEMA# 6-20R	304 lbs. (137 kg)
5711	15-20 gallons / hour Frozen: 1.5 gal. (5.6L) Storage: 5.0 gal. (19L) Total: 6.5 gal. (24.6L)	1	1.5 hp Air Cooled	.5 hp	27" x 18.75" x 30.38" (69 cm x 48 cm x 77 cm) Includes Pad & Drip Tray	34" x 23" x 32" (86 cm x 58 cm x 81 cm)	208V, 2704W, 13A Required Circuit: 208/230V 20A NEMA# 6-20R	260 lbs. (118 kg)

Electrical: *5311 line cord & Nema 5-20P plug included. **5512 & 5711 line cord & Nema 6-20P plug included. Export voltage available, see International guide.

Options: Front mounted spinner. **Listings:** UL/CUL, NSF Standard 6. **Refrigerant:** 404A. Contact Grindmaster-Cecilware™ for more information. Specifications subject to improvement or change without notice.

Available With Your Choice of Back-Lit Header



GRINDMASTER-CECILWARE™ 4003 Collins Lane, Louisville, KY 40245 USA

Tel: +1.502.425.4776 / 800.695.4500 (USA & Canada only) • Fax: +1.502.425.4664 • www.grindmaster.com • Email: info@grindmaster.com