



Project:

Item Number:

Quantity:

MIRAGE® STANDARD DROP-IN INDUCTION WARMERS



High-efficiency, standard, single element drop-in induction warmer with push button controls.

DESCRIPTION

The high-efficiency, standard drop-in induction warmers are designed for use in buffet stations with induction-ready chafers and serving pieces. The 120 volt warmers plug easily into standard 15 amp or 20 amp, 120V outlets.

The case frame is made from heavy-duty, 18-gauge stainless steel with a vitro ceramic top. The ceramic top is easily cleaned with a mild cleaner.

The induction warmer is equipped with a variety of safety features including:

- Over-heat protection
- Small-article detection
- Pan auto-detection function
- Empty-pan shut-off

Agency Listings



This device complies with Part 18 FCC Rules.

Due to continued product improvement, please consult www.vollrathco.com for current product specifications.

MODELS

- 5950145 450W Drop-in Induction Warmer (US/Canada)
- 5950170 700W Drop-in Induction Warmer (US/Canada)

FEATURES

- G4 engine for long life
- Simple 1-5 power level adjustments
- 1-180 minute timer for length of cooking time control
- 90% efficiency rating
- Warmers display HOT when unit is turned off, if the top is still hot
- Vertical control panel for runoff of liquid spills
- Unit comes complete with a 6-ft. (183 cm) cord and plug and does not require hard wiring
- Requires a 15A circuit
- Full one-year parts and labor warranty

IMPORTANT

- This appliance is intended for use with induction-ready cookware.
- All models require unrestricted intake and exhaust air ventilation for proper operation of the controls. The maximum intake temperature must not exceed 110°F (43°C). Temperatures are measured in ambient air while all appliances in the kitchen are in operation.
- Drop-in models require a minimum clearance of 3 inches (7.6 cm) at the rear and 1 inch (2.5 cm) at the bottom.

WARRANTY: All models shown come with Vollrath's standard warranty against defects in materials and workmanship. For full warranty details, please refer to the Vollrath Equipment and Smallwares Catalog.

Approvals	Date



Setting the Standard™

www.vollrathco.com

The Vollrath Company, L.L.C.
1236 North 18th Street
Sheboygan, WI 53081-3201 U.S.A.
Customer Service: 800.628.0830
Canada Customer Service: 800.695.8560
Main Fax: 800.752.5620 or 920.459.6573

Technical Services: 800.628.0832
Technical Services Fax: 920.459.5462

A City Discount

Mirage® Standard Drop-in Induction Warmers

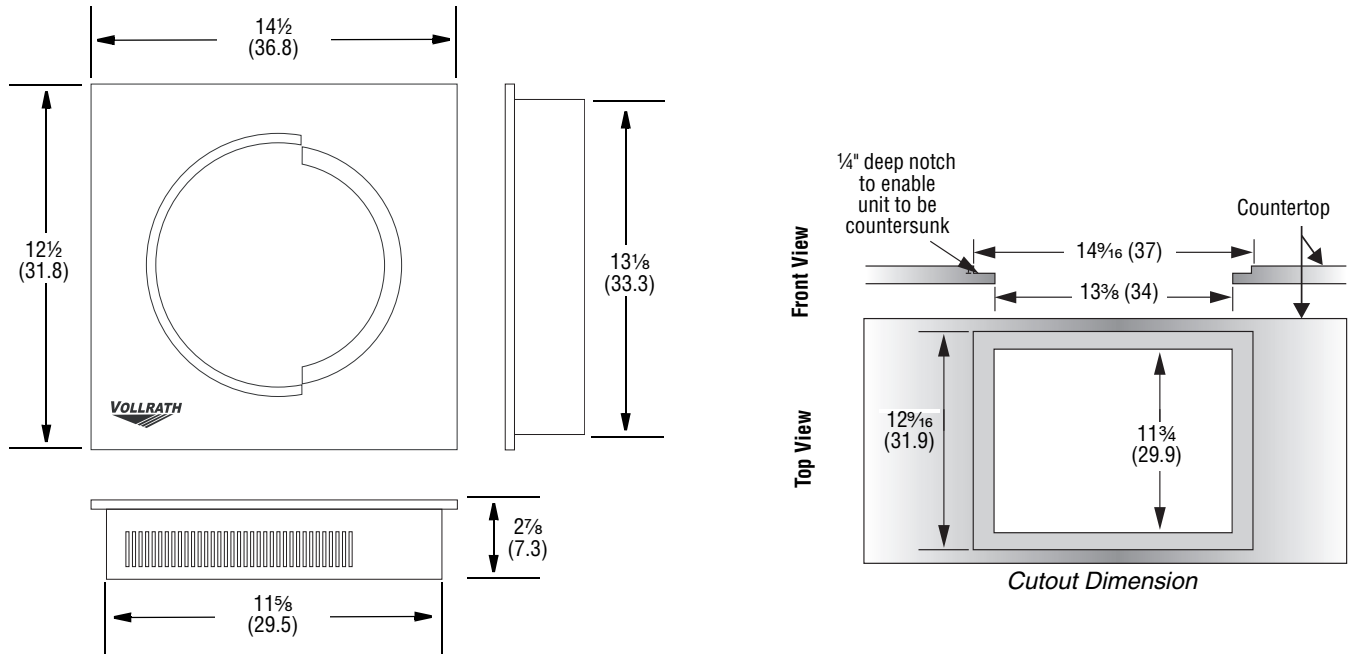
The Vollrath Company, L.L.C.

MIRAGE® STANDARD DROP-IN INDUCTION WARMERS

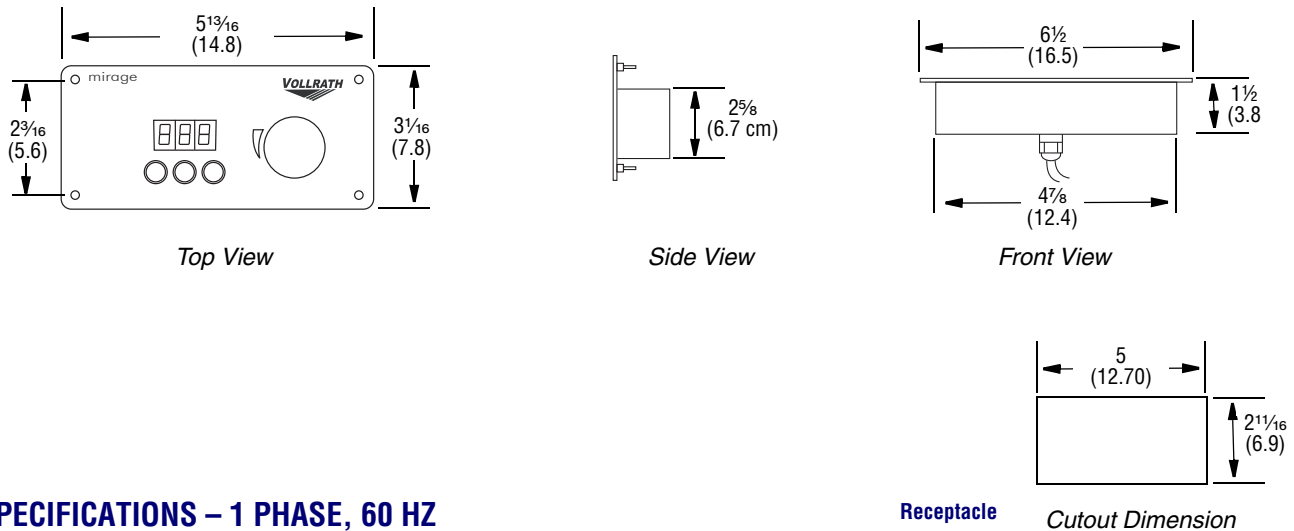
MODELS 5950145 450W Drop-in Induction Warmer (US/Canada)
 5950170 700W Drop-in Induction Warmer (US/Canada)

DIMENSIONS

Dimensions shown in inches (cm)



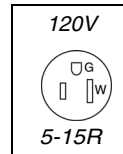
REMOTE CONTROL



SPECIFICATIONS – 1 PHASE, 60 HZ

Model	Max Pan Size	kW Rating	Volts	Nominal Amps	Plug	Weight	Shipping Weight	Shipping Container
5950145	14 (35.6)	.45 W	120V AC	3.8	5-15P	12 lbs (5.4 kg)	16.4 lbs (7.4 kg)	17 $\frac{3}{8}$ x 17 x 6 $\frac{7}{8}$ (44.2 x 43.2 x 17.5)
5950170	14 (35.6)	.7 W	120V AC	5.8	5-15P	12 lbs (5.4 kg)	16.4 lbs (7.4 kg)	17 $\frac{3}{8}$ x 17 x 6 $\frac{7}{8}$ (44.2 x 43.2 x 17.5)

Receptacle



www.vollrathco.com

The Vollrath Company, L.L.C.
 1236 North 18th Street
 Sheboygan, WI 53081-3201 U.S.A.
 Customer Service: 800.628.0830
 Canada Customer Service: 800.695.8560
 Main Fax: 800.752.5620 or 920.459.6573

Technical Services: 800.628.0832
 Technical Services Fax: 920.459.5462