



ADA Compliant

*This Space for Architect/Engineer Approval*

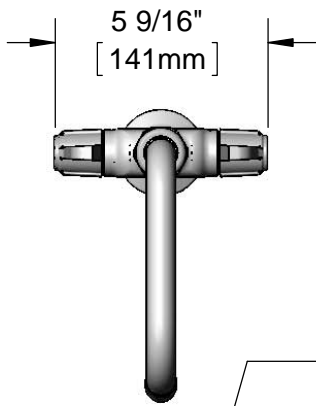
Job Name \_\_\_\_\_ Date \_\_\_\_\_

Model Specified \_\_\_\_\_ Quantity \_\_\_\_\_

Customer/Wholesaler \_\_\_\_\_

Contractor \_\_\_\_\_

Architect/Engineer \_\_\_\_\_



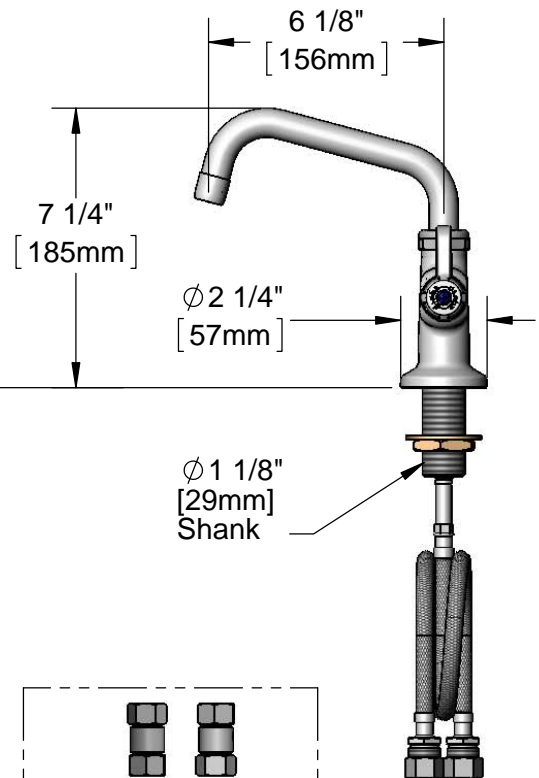
5SP-06  
6" equip Swing Nozzle  
w/ Laminar Flow Device.  
Rigid Conversion Requires  
014200-45 Lock Washer  
(Sold Separately)



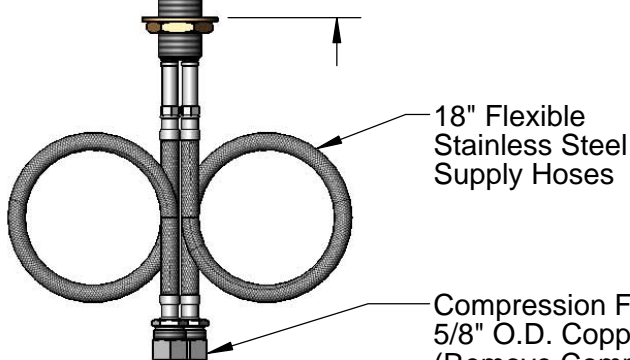
Ceramic Cartridges &  
equip Lever Handles  
w/ Color Coded Screws

1 1/4"  
[32mm]  
Maximum  
Thickness

Mounting Surface

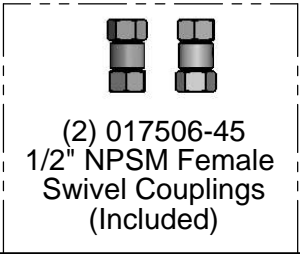


Ø 1 1/8"  
[29mm]  
Shank



18" Flexible  
Stainless Steel  
Supply Hoses

Compression Fittings for  
5/8" O.D. Copper Tubing  
(Remove Compression Nut  
for 1/2" NPSM Male)



Rough-In Requirement:  
Ø 1 1/2" [38mm] Mounting Hole

Model Number  
**5F-2SLF06**

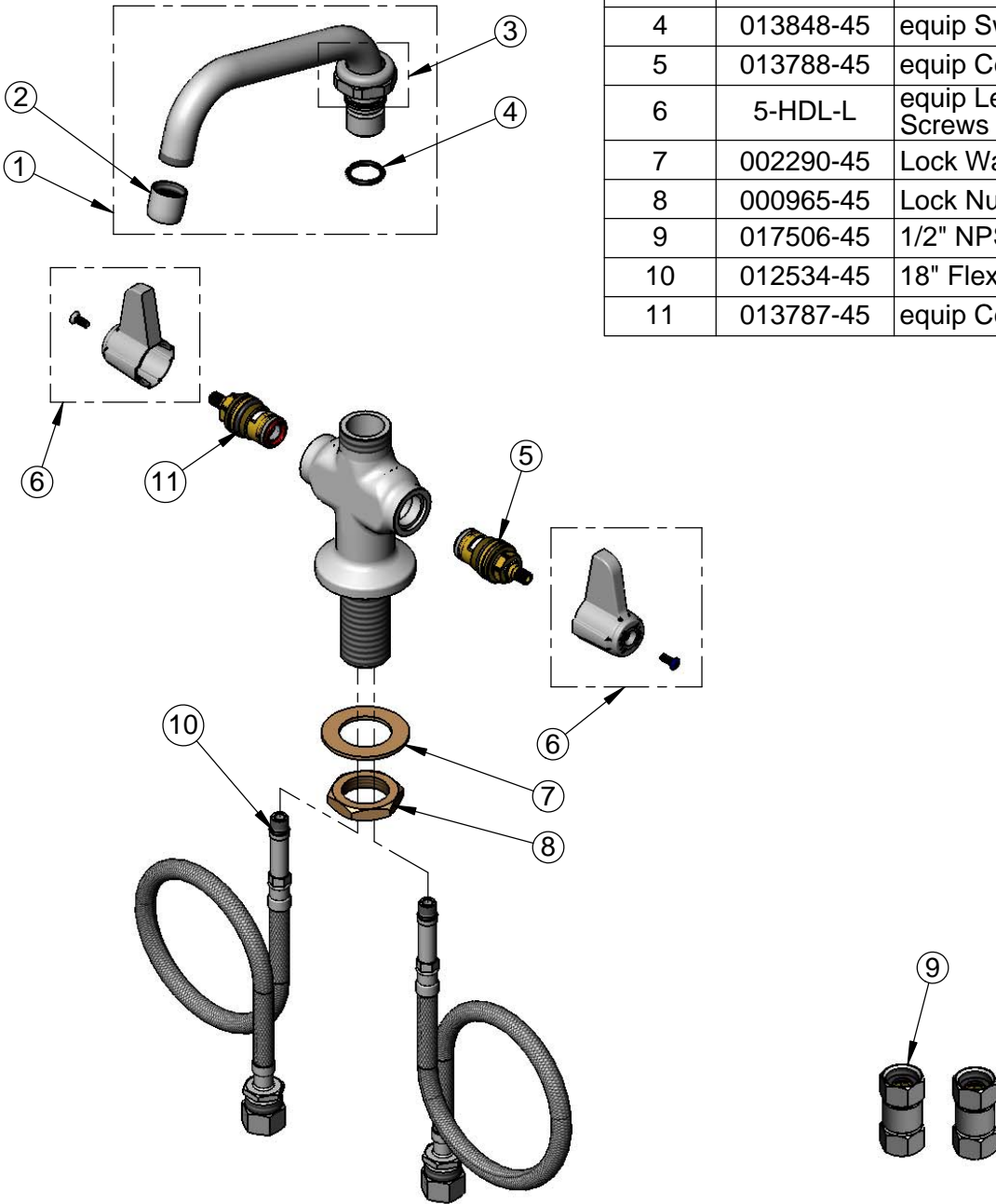
Product Specifications:  
Single Hole Deck Mount Mixing Faucet w/ Ceramic Cartridges,  
equip Lever Handles, 6" equip Swing Nozzle, 18" Flexible Inlets  
& 1/2" NPSM Female Swivel Couplings

Product Compliance:  
ASME A112.18.1 / CSA B125.1  
NSF 61 - Section 9  
NSF 372 (Low Lead Content)  
ANSI A117.1 (ADA)

equip  
Foodservice  
Accessories

2 Saddleback Cove, P.O. Box 1088  
Travelers Rest, South Carolina 29690  
Phone: 800.891.4808 Fax: 800.868.0084  
equip.tsbrass.com

ITEM NO.	SALES NO.	DESCRIPTION
1	5SP-06	6" equip Swing Nozzle
2	014250-45	Laminar Flow Device, 3/4-27 UN Female
3	013839-25	Swivel Nut
4	013848-45	equip Swivel Piece O-Ring
5	013788-45	equip Ceramic Cartridge, LTC
6	5-HDL-L	equip Lever Handle w/ Color Coded Screws
7	002290-45	Lock Washer
8	000965-45	Lock Nut
9	017506-45	1/2" NPSM Swivel Coupling
10	012534-45	18" Flexible Supply Hose (2)
11	013787-45	equip Ceramic Cartridge, RTC



Model Number

**5F-2SLF06**

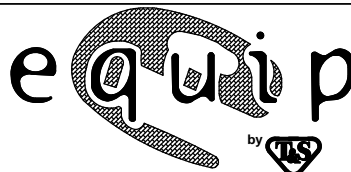
Product Specifications:

Single Hole Deck Mount Mixing Faucet w/ Ceramic Cartridges,  
equip Lever Handles, 6" equip Swing Nozzle, 18" Flexible Inlets  
& 1/2" NPSM Female Swivel Couplings

Product Compliance:

ASME A112.18.1 / CSA B125.1  
NSF 61 - Section 9  
NSF 372 (Low Lead Content)  
ANSI A117.1 (ADA)

equip  
Foodservice  
Accessories



2 Saddleback Cove, P.O. Box 1088  
Travelers Rest, South Carolina 29690  
Phone: 800.891.4808 Fax: 800.868.0084  
equip.tsbrass.com