

ADA Compliant

This Space for Architect/Engineer Approval

Job Name _____ Date _____

Model Specified _____ Quantity _____

Customer/Wholesaler _____

Contractor _____

Architect/Engineer _____

5SP-03
3" equip Rigid Gooseneck
w/ Laminar Flow Device

Ceramic Cartridges &
equip Lever Handles
w/ Color Coded Screws

1 1/4"
[32mm]
Maximum
Thickness

Mounting Surface

12 3/16"
[310mm]

8 7/16"
[214mm]

Ø 2 1/4"
[57mm]

2 13/16"
[72mm]

Ø 1 1/8"
[29mm]
Shank

18" Flexible
Stainless Steel
Supply Hoses

Compression Fittings for
5/8" O.D. Copper Tubing
(Remove Compression Nut
for 1/2" NPSM Male)

Rough-In Requirement:
Ø 1 1/2" [38mm] Mounting Hole

Model Number

5F-2SLX03

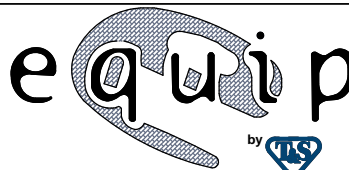
Product Specifications:

Single Hole Deck Mount Mixing Faucet w/ Ceramic Cartridges,
equip Lever Handles, 3" equip Rigid Gooseneck
& 18" Flexible Stainless Steel Inlets

Product Compliance:

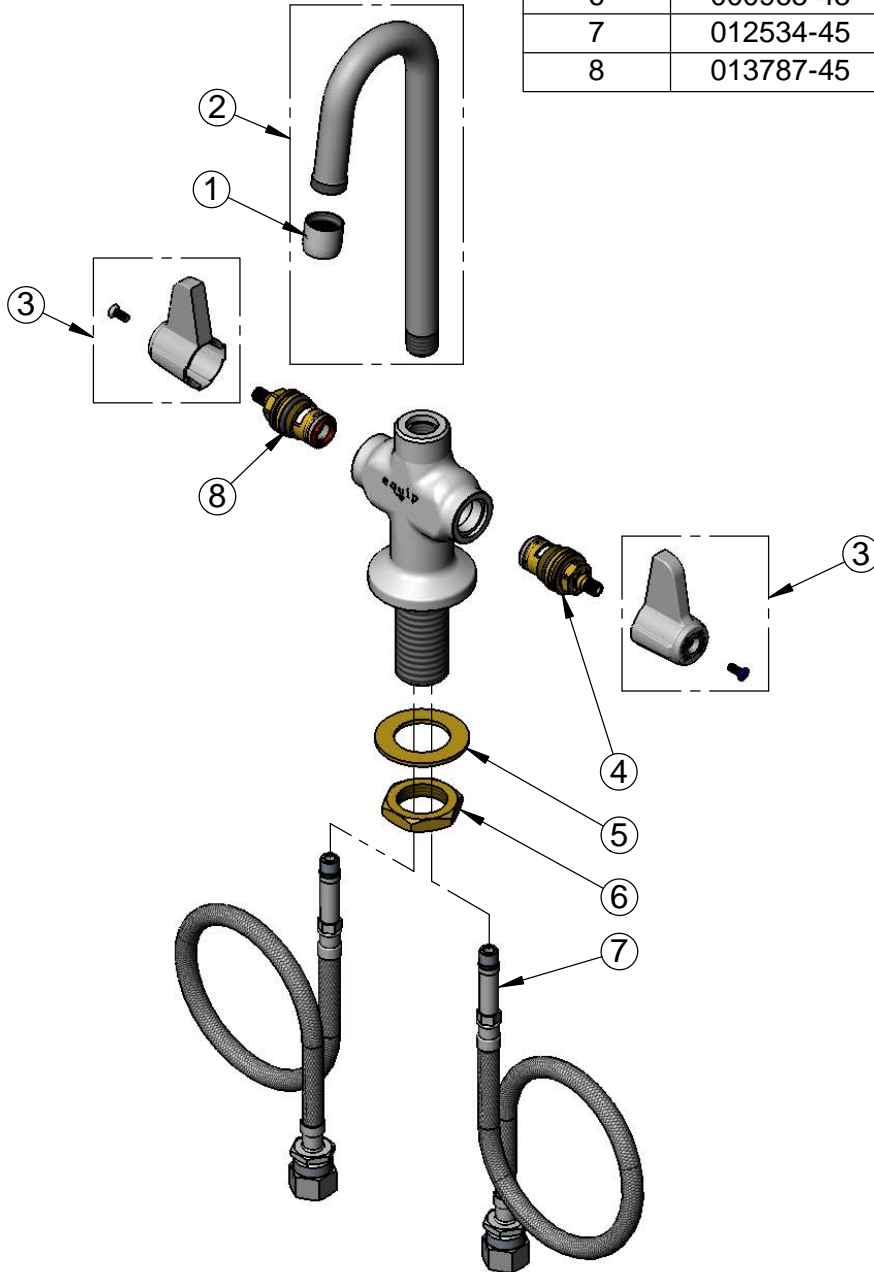
ASME A112.18.1 / CSA B125.1
NSF 61 - Section 9
NSF 372 (Low Lead Content)
ANSI A117.1 (ADA)

equip
Foodservice
Accessories



2 Saddleback Cove, P.O. Box 1088
Travelers Rest, South Carolina 29690
Phone: 800.891.4808 Fax: 800.868.0084
equip.tsbrass.com

ITEM NO.	SALES NO.	DESCRIPTION
1	014250-45	Laminar Flow Device
2	5SP-03	3" equip Rigid Gooseneck
3	5-HDL-L	equip Lever Handle w/ Color Coded Screws
4	013788-45	equip Ceramic Cartridge, LTC
5	002290-45	Lock Washer
6	000965-45	Lock Nut
7	012534-45	18" Flexible Supply Hose (2)
8	013787-45	equip Ceramic Cartridge, RTC



Model Number

5F-2SLX03

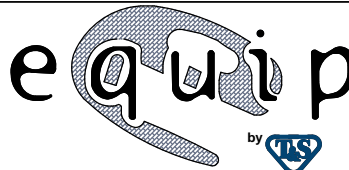
Product Specifications:

Single Hole Deck Mount Mixing Faucet w/ Ceramic Cartridges,
equip Lever Handles, 3" equip Rigid Gooseneck
& 18" Flexible Stainless Steel Inlets

Product Compliance:

ASME A112.18.1 / CSA B125.1
NSF 61 - Section 9
NSF 372 (Low Lead Content)
ANSI A117.1 (ADA)

equip
Foodservice
Accessories



2 Saddleback Cove, P.O. Box 1088
Travelers Rest, South Carolina 29690
Phone: 800.891.4808 Fax: 800.868.0084
equip.tsbrass.com