

**ADA Compliant**

*This Space for Architect/Engineer Approval*

Job Name \_\_\_\_\_ Date \_\_\_\_\_  
 Model Specified \_\_\_\_\_ Quantity \_\_\_\_\_  
 Customer/Wholesaler \_\_\_\_\_  
 Contractor \_\_\_\_\_  
 Architect/Engineer \_\_\_\_\_

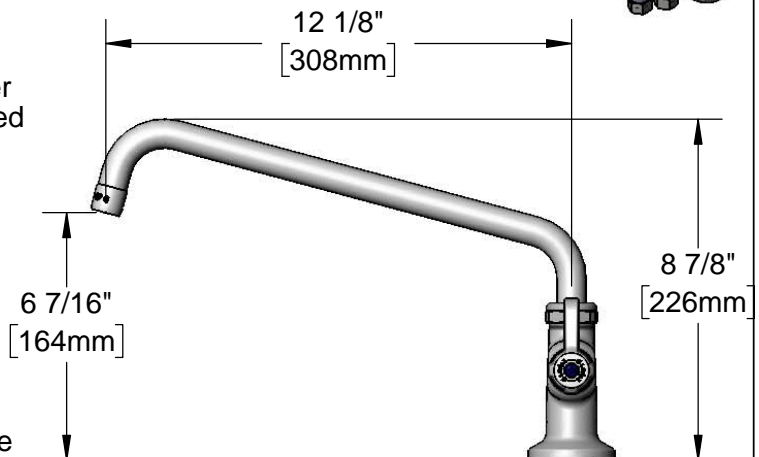


5SP-12  
 12" equip Swing Nozzle  
 w/ Laminar Flow Device.  
 Rigid Conversion Requires  
 014200-45 Lock Washer  
 (Sold Separately)

Quarter-Turn Ceramic  
 Cartridges, equip Lever  
 Handles w/ Color Coded  
 Screws

1 1/4"  
 [32mm]  
 Maximum  
 Thickness

Mounting Surface

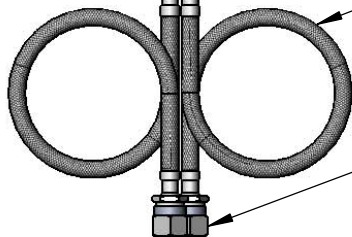


Ø 2 1/4"  
 [56mm]

Ø 1 1/8"  
 [29mm]  
 Shank

18" Long Flexible  
 Stainless Steel  
 Supply Hoses

Compression Fittings for  
 5/8" O.D. Copper Tubing  
 (Remove Compression Nut  
 for 1/2" NPSM Male)



Rough-In Requirement:  
 Ø 1 1/2" [38mm] Mounting Hole

Model Number  
**5F-2SLX12**

Product Specifications:  
 Single Hole Deck Mount Mixing Faucet w/ Quarter-Turn Ceramic  
 Cartridges, equip Lever Handles, 12" equip Swing Nozzle &  
 18" Flexible Inlets

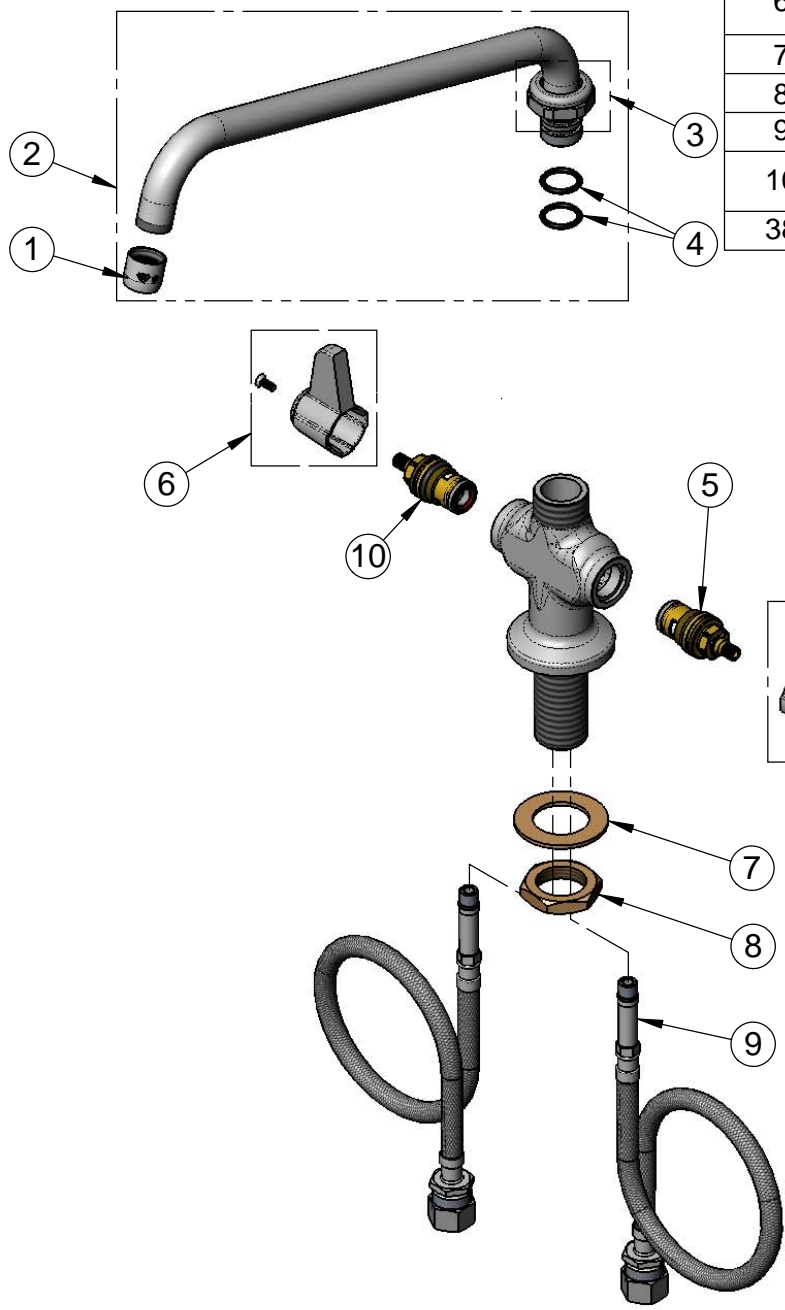
Product Compliance:  
 ASME A112.18.1 / CSA B125.1  
 NSF 61 - Section 9  
 NSF 372 (Low Lead Content)  
 ANSI A117.1 (ADA)

equip  
 Foodservice  
 Accessories

by

2 Saddleback Cove, P.O. Box 1088  
 Travelers Rest, South Carolina 29690  
 Phone: 800.891.4808 Fax: 800.868.0084  
 equip.tsbrass.com

ITEM NO.	SALES NO.	DESCRIPTION
1	014250-45	Laminar Flow Device
2	5SP-12	12" equip Swing Nozzle
3	013839-25	equip Swivel Nut
4	013848-45	equip Swivel Piece O-Ring
5	013788-45	equip Quarter-Turn Ceramic Cartridge, LTC
6	5-HDL-L	equip Lever Handle w/ Color Coded Screws
7	002290-45	Lock Washer
8	000965-45	Lock Nut
9	012534-45	18" Flexible Supply Hose (2)
10	013787-45	equip Quarter-Turn Ceramic Cartridge, RTC
38	013848-45	equip Swivel Piece O-Ring



Model Number  
**5F-2SLX12**

Product Specifications:  
Single Hole Deck Mount Mixing Faucet w/ Quarter-Turn Ceramic Cartridges, equip Lever Handles, 12" equip Swing Nozzle & 18" Flexible Inlets

Product Compliance:  
ASME A112.18.1 / CSA B125.1  
NSF 61 - Section 9  
NSF 372 (Low Lead Content)  
ANSI A117.1 (ADA)

equip Foodservice Accessories



2 Saddleback Cove, P.O. Box 1088  
Travelers Rest, South Carolina 29690  
Phone: 800.891.4808 Fax: 800.868.0084  
equip.tsbrass.com