

**ADA Compliant**

*This Space for Architect/Engineer Approval*

Job Name \_\_\_\_\_ Date \_\_\_\_\_

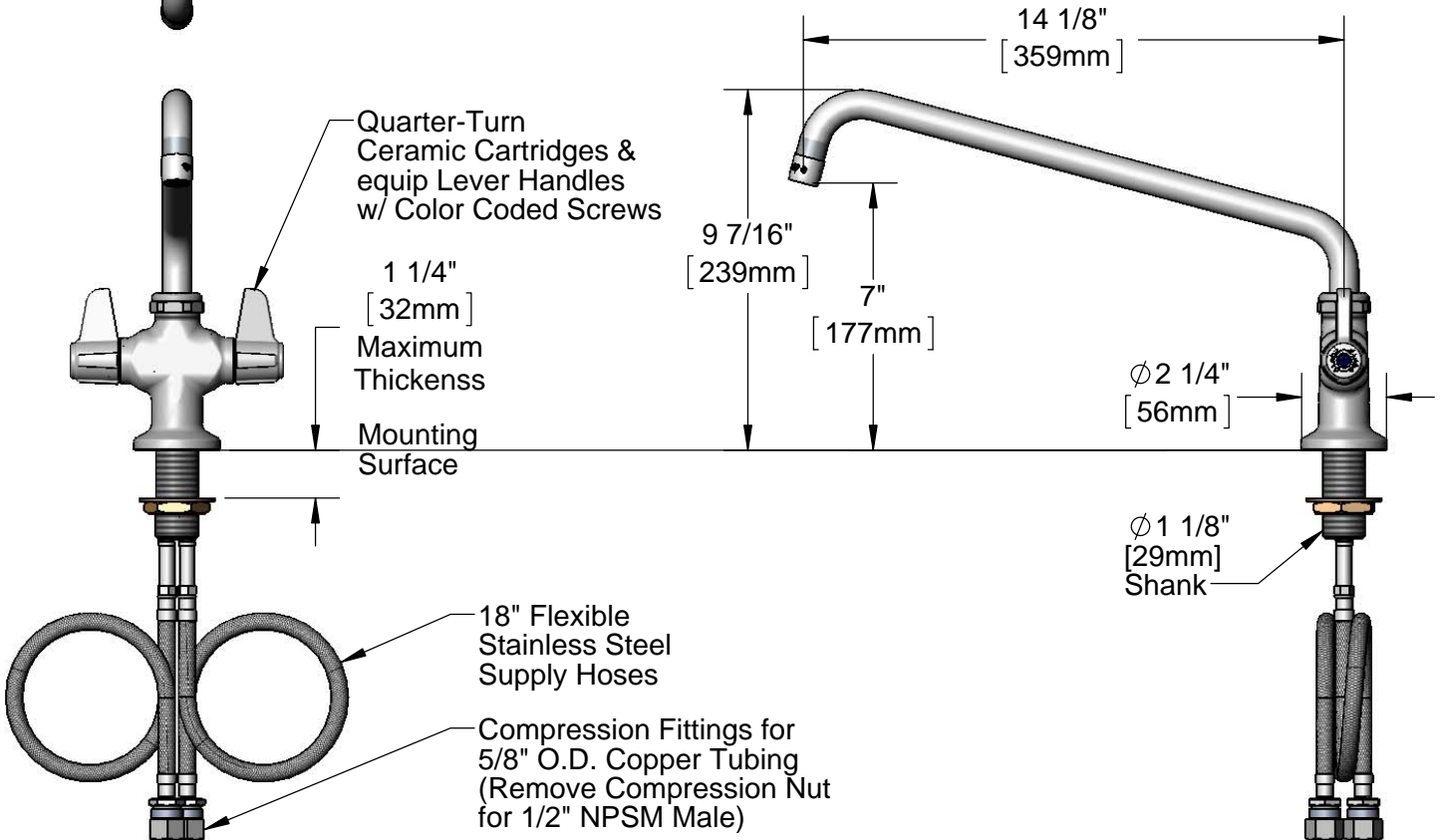
Model Specified \_\_\_\_\_ Quantity \_\_\_\_\_

Customer/Wholesaler \_\_\_\_\_

Contractor \_\_\_\_\_

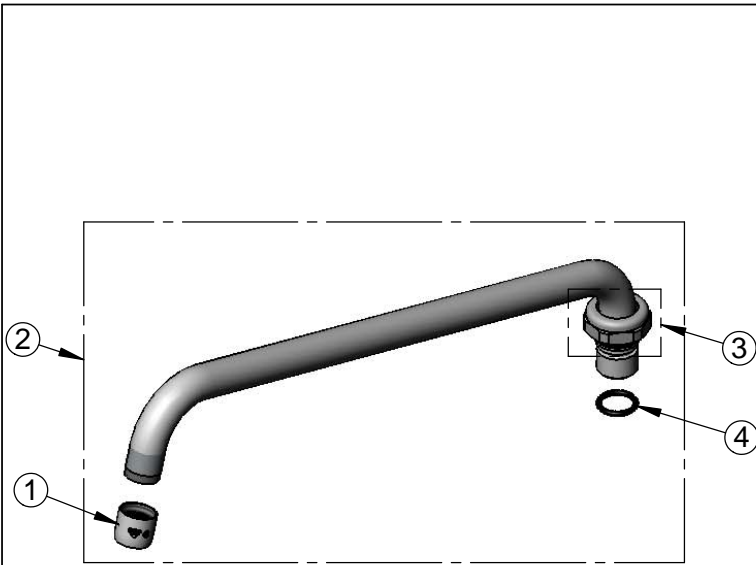
Architect/Engineer \_\_\_\_\_

5SP-14  
14" equip Swing Nozzle  
w/ Laminar Flow Device.  
Rigid Conversion Requires  
014200-45 Lock Washer  
(Sold Separately)

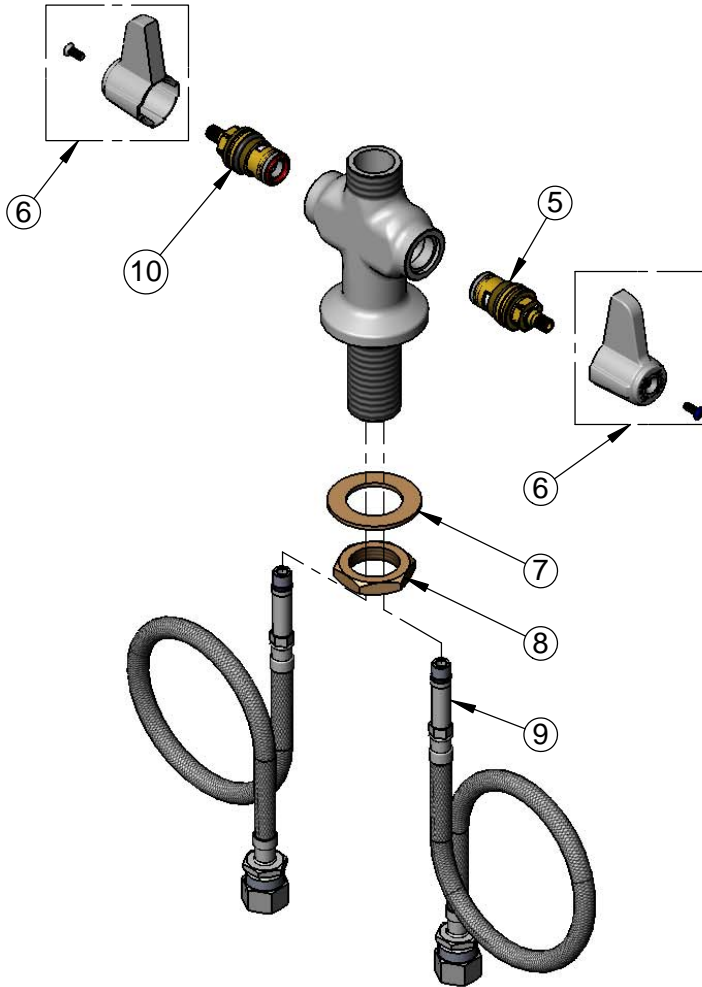


Rough-In Requirement:  
Ø 1 1/2" [38mm] Mounting Hole

|   |  |
|---|--|
| <p>Model Number</p> <p style="text-align: center;"><b>5F-2SLX14</b></p>   | <p>Product Specifications:</p> <p style="text-align: center;"><b>Single Hole Deck Mount Mixing Faucet w/ Quarter-Turn Ceramic Cartridges, equip Lever Handles, 14" equip Swing Nozzle &amp; 18" Flexible Inlets</b></p>  |
| <p>Product Compliance:</p> <p>ASME A112.18.1 / CSA B125.1<br/>NSF 61 - Section 9<br/>NSF 372 (Low Lead Content)<br/>ANSI A117.1 (ADA)</p> | <div style="display: flex; justify-content: space-between; align-items: center;"> <div data-bbox="602 1906 738 1980"> <p>equip<br/>Foodservice<br/>Accessories</p> </div> <div data-bbox="745 1858 1089 2026"> </div> <div data-bbox="1097 1894 1567 1995"> <p>2 Saddleback Cove, P.O. Box 1088<br/>Travelers Rest, South Carolina 29690<br/>Phone: 800.891.4808 Fax: 800.868.0084<br/>equip.tsbrass.com</p> </div> </div> |



| ITEM NO. | SALES NO. | DESCRIPTION                               |
|----------|-----------|---|
| 1        | 014250-45 | Laminar Flow Device                       |
| 2        | 5SP-14    | 14" equip Swing Nozzle                    |
| 3        | 013839-25 | equip Swivel Nut                          |
| 4        | 013848-45 | equip Swivel Piece O-Ring                 |
| 5        | 013788-45 | equip Quarter-Turn Ceramic Cartridge, LTC |
| 6        | 5-HDL-L   | equip Lever Handle w/ Color Coded Screws  |
| 7        | 002290-45 | Lock Washer                               |
| 8        | 000965-45 | Lock Nut                                  |
| 9        | 012534-45 | 18" Flexible Supply Hose (2)              |
| 10       | 013787-45 | equip Quarter-Turn Ceramic Cartridge, RTC |



Model Number

**5F-2SLX14**

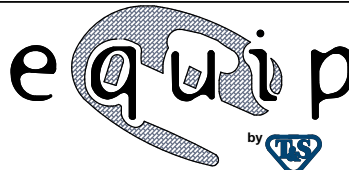
Product Specifications:

Single Hole Deck Mount Mixing Faucet w/ Quarter-Turn Ceramic Cartridges, equip Lever Handles, 14" equip Swing Nozzle & 18" Flexible Inlets

Product Compliance:

ASME A112.18.1 / CSA B125.1  
NSF 61 - Section 9  
NSF 372 (Low Lead Content)  
ANSI A117.1 (ADA)

equip  
Foodservice  
Accessories



2 Saddleback Cove, P.O. Box 1088  
Travelers Rest, South Carolina 29690  
Phone: 800.891.4808 Fax: 800.868.0084  
equip.tsbrass.com