



**ADA Compliant**

*This Space for Architect/Engineer Approval*

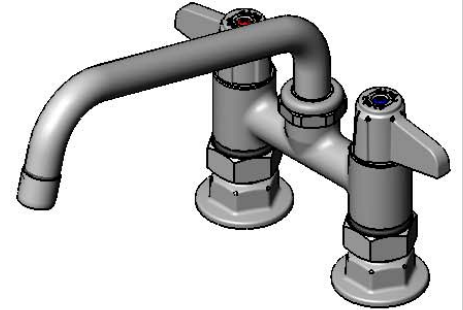
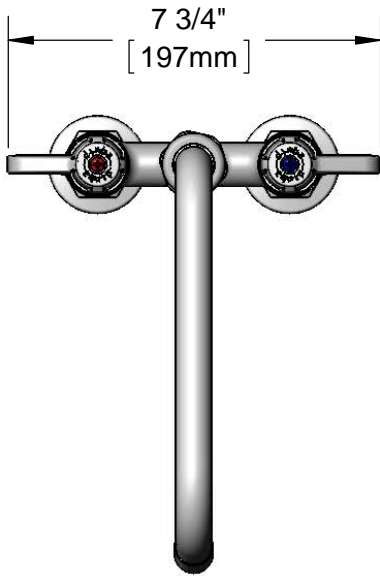
Job Name \_\_\_\_\_ Date \_\_\_\_\_

Model Specified \_\_\_\_\_ Quantity \_\_\_\_\_

Customer/Wholesaler \_\_\_\_\_

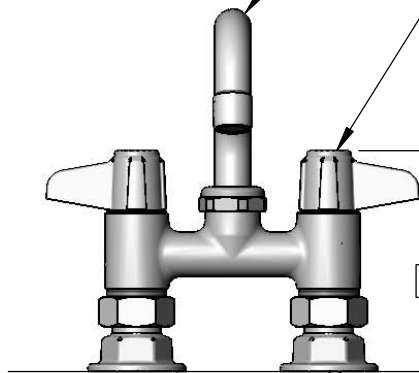
Contractor \_\_\_\_\_

Architect/Engineer \_\_\_\_\_



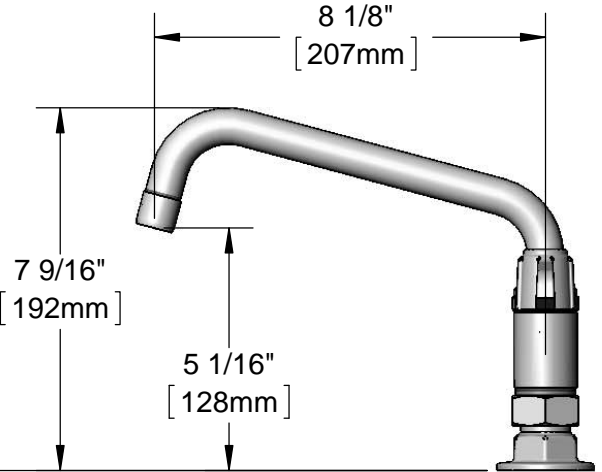
5SP-08A  
8" equip Swing Nozzle  
w/ 2.2 GPM Aerator.  
Rigid Conversion Requires  
014200-45 Lock Washer  
(Sold Separately)

Quarter-Turn Ceramic  
Cartridges & equip Lever  
Handles w/ Color Coded  
Screws



4 5/8"  
[117mm]

Mounting Surface



7 9/16"  
[192mm]

8 1/8"  
[207mm]

5 1/16"  
[128mm]

4"  
[102mm]  
Adjustable from  
3 3/4" to 4 1/4"  
[95mm to 108mm]

Ø 2" [51mm]  
Flanges w/  
1/2" NPT  
Female Inlets



B-0425-M  
Supply Nipple Kit  
(Included)

Rough-In Requirement:  
(2) Ø 1" [25mm] Mounting Holes

Model Number  
**5F-4DLS08A**

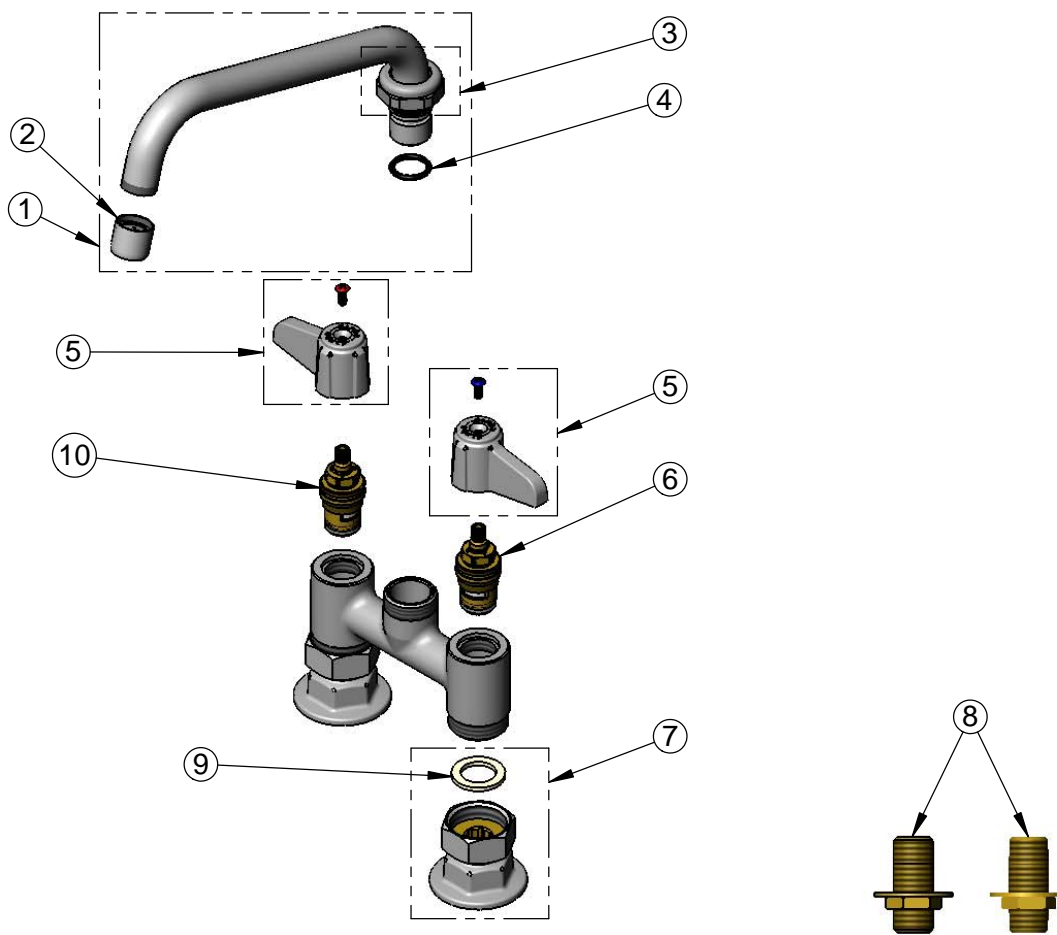
Product Specifications:  
4" Deck Mount Mixing Faucet, Quarter-Turn Ceramic Cartridges,  
equip Lever Handles, 8" equip Swing Nozzle, 2.2 GPM Aerator &  
1/2" NPT Supply Nipple Kit

Product Compliance:  
ASME A112.18.1 / CSA B125.1  
NSF 61 - Section 9  
NSF 372 (Low Lead Content)  
ANSI A117.1 (ADA)

equip  
Foodservice  
Accessories

2 Saddleback Cove, P.O. Box 1088  
Travelers Rest, South Carolina 29690  
Phone: 800.891.4808 Fax: 800.868.0084  
equip.tsbrass.com

ITEM NO.	SALES NO.	DESCRIPTION
1	5SP-08A	8" equip Swing Nozzle
2	013838-45	2.2 GPM Aerator, 3/4-27 UN Female
3	013839-25	equip Swivel Nut
4	013848-45	equip Swivel Piece O-Ring
5	5-HDL-L	equip Lever Handle w/ Color Coded Screws
6	013788-45	equip Quarter-Turn Ceramic Cartridge, LTC
7	00AA	1/2" NPT Female Eccentric Flange
8	B-0425-M	1/2" NPT Supply Nipple Kit (2)
9	001019-45	Coupling Nut Washer
10	013787-45	equip Quarter-Turn Ceramic Cartridge, RTC



Model Number

**5F-4DLS08A**

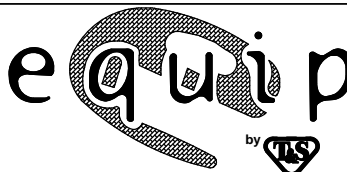
Product Specifications:

4" Deck Mount Mixing Faucet, Quarter-Turn Ceramic Cartridges, equip Lever Handles, 8" equip Swing Nozzle, 2.2 GPM Aerator & 1/2" NPT Supply Nipple Kit

Product Compliance:

ASME A112.18.1 / CSA B125.1  
NSF 61 - Section 9  
NSF 372 (Low Lead Content)  
ANSI A117.1 (ADA)

equip  
Foodservice  
Accessories



2 Saddleback Cove, P.O. Box 1088  
Travelers Rest, South Carolina 29690  
Phone: 800.891.4808 Fax: 800.868.0084  
equip.tsbrass.com