



ADA Compliant

This Space for Architect/Engineer Approval

Job Name _____ Date _____

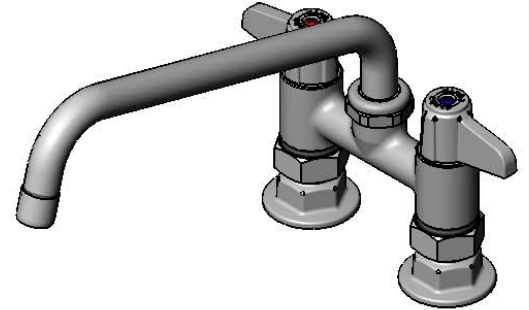
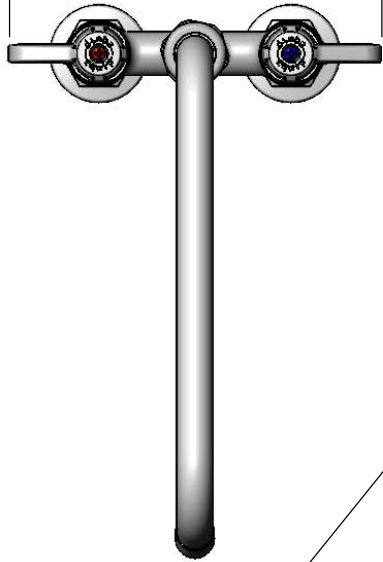
Model Specified _____ Quantity _____

Customer/Wholesaler _____

Contractor _____

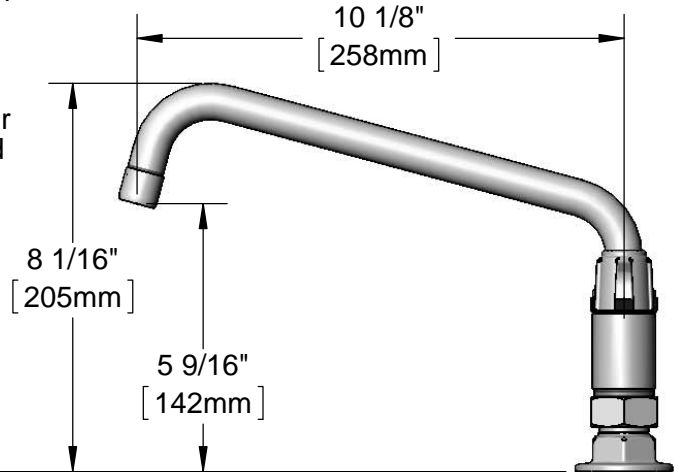
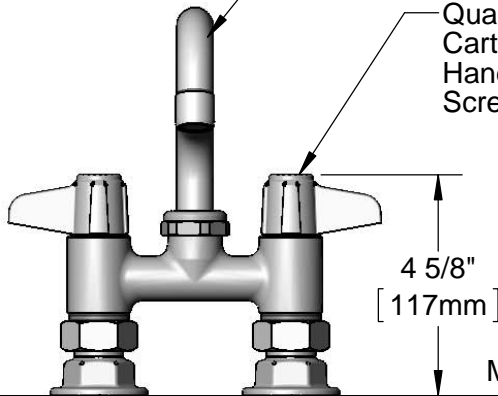
Architect/Engineer _____

7 3/4"
[197mm]



5SP-10A
10" equip Swing Nozzle
w/ 2.2 GPM Aerator.
Rigid Conversion Requires
014200-45 Lock Washer
(Sold Separately)

Quarter-Turn Ceramic
Cartridges & equip Lever
Handles w/ Color Coded
Screws



4 5/8"
[117mm]

Mounting Surface

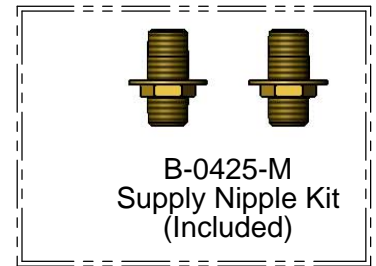
8 1/16"
[205mm]

5 9/16"
[142mm]

10 1/8"
[258mm]

4"
[102mm]
Adjustable from
3 3/4" to 4 1/4"
[95mm to 108mm]

Ø 2" [51mm]
Flanges w/
1/2" NPT
Female Inlets



Rough-In Requirement:
(2) Ø 1" [25mm] Mounting Holes

Model Number

5F-4DLS10A

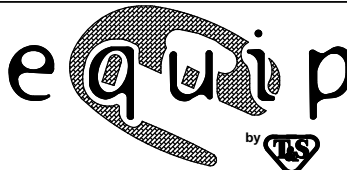
Product Specifications:

4" Deck Mount Mixing Faucet, Quarter-Turn Ceramic Cartridges, equip Lever Handles, 10" equip Swing Nozzle, 2.2 GPM Aerator & 1/2" NPT Supply Nipple Kit

Product Compliance:

ASME A112.18.1 / CSA B125.1
NSF 61 - Section 9
NSF 372 (Low Lead Content)
ANSI A117.1 (ADA)

equip
Foodservice
Accessories



2 Saddleback Cove, P.O. Box 1088
Travelers Rest, South Carolina 29690
Phone: 800.891.4808 Fax: 800.868.0084
equip.tsbrass.com

Drawn: KJG

Checked: JRM

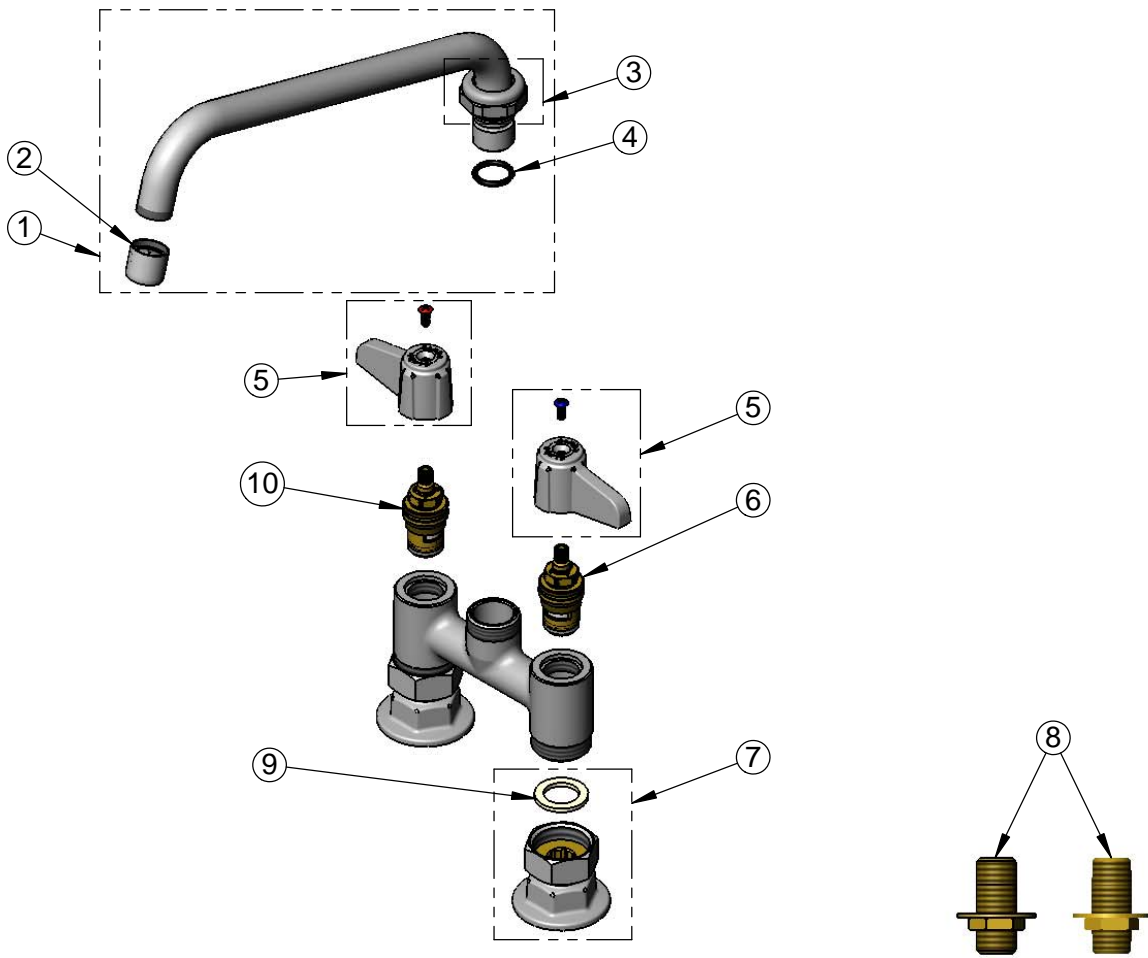
Approved: JHB

Date: 08/15/15

Scale: 1:4

Sheet: 1 of 2

ITEM NO.	SALES NO.	DESCRIPTION
1	5SP-10A	10" equip Swing Nozzle
2	013838-45	2.2 GPM Aerator, 3/4-27 UN Female
3	013839-25	equip Swivel Nut
4	013848-45	equip Swivel Piece O-Ring
5	5-HDL-L	equip Lever Handle w/ Color Coded Screws
6	013788-45	equip Quarter-Turn Ceramic Cartridge, LTC
7	00AA	1/2" NPT Female Eccentric Flange
8	B-0425-M	1/2" NPT Supply Nipple Kit (2)
9	001019-45	Coupling Nut Washer
10	013787-45	equip Quarter-Turn Ceramic Cartridge, RTC



Model Number

5F-4DLS10A

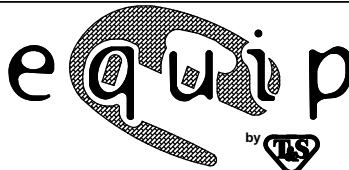
Product Specifications:

4" Deck Mount Mixing Faucet, Quarter-Turn Ceramic Cartridges, equip Lever Handles, 10" equip Swing Nozzle, 2.2 GPM Aerator & 1/2" NPT Supply Nipple Kit

Product Compliance:

ASME A112.18.1 / CSA B125.1
NSF 61 - Section 9
NSF 372 (Low Lead Content)
ANSI A117.1 (ADA)

equip
Foodservice
Accessories



2 Saddleback Cove, P.O. Box 1088
Travelers Rest, South Carolina 29690
Phone: 800.891.4808 Fax: 800.868.0084
equip.tsbrass.com