

This Space for Architect/Engineer Approval

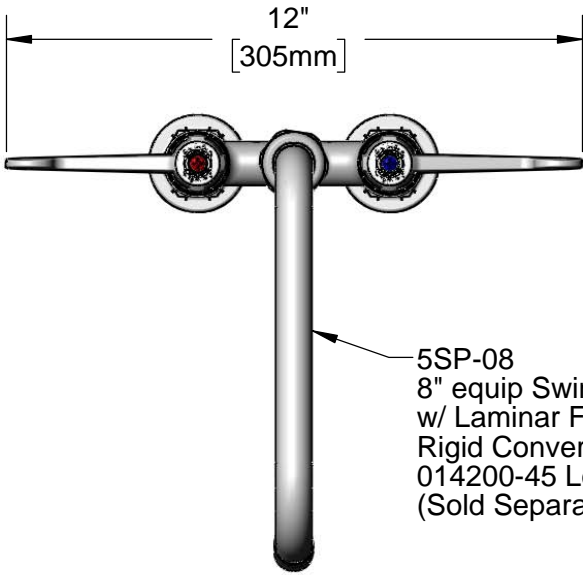
Job Name _____ Date _____

Model Specified _____ Quantity _____

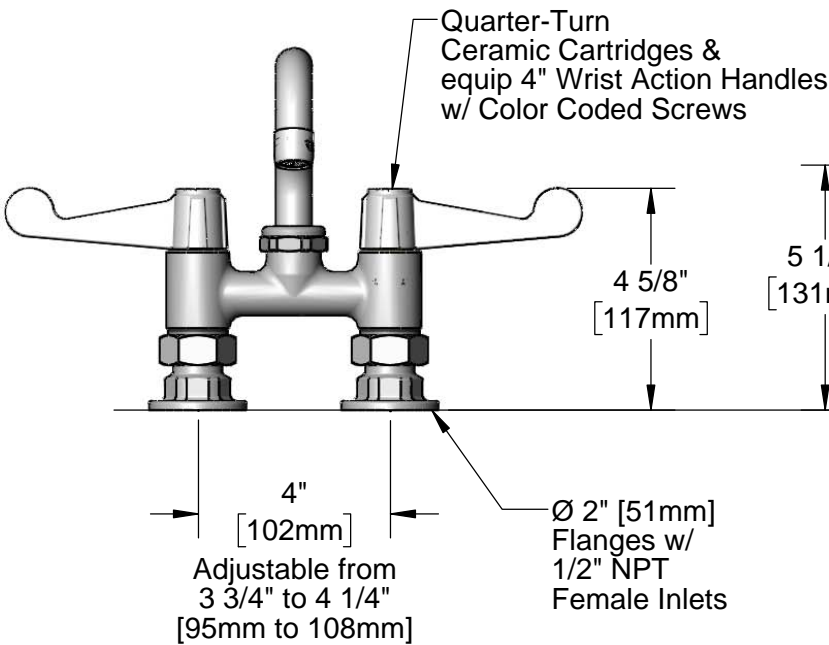
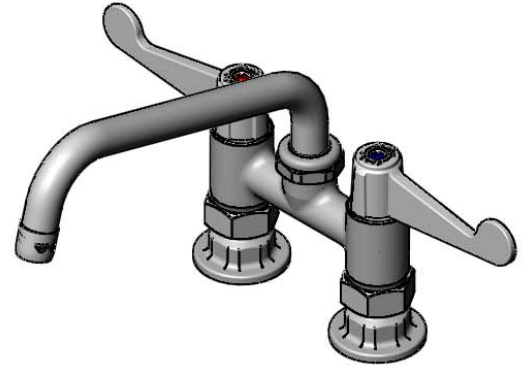
Customer/Wholesaler _____

Contractor _____

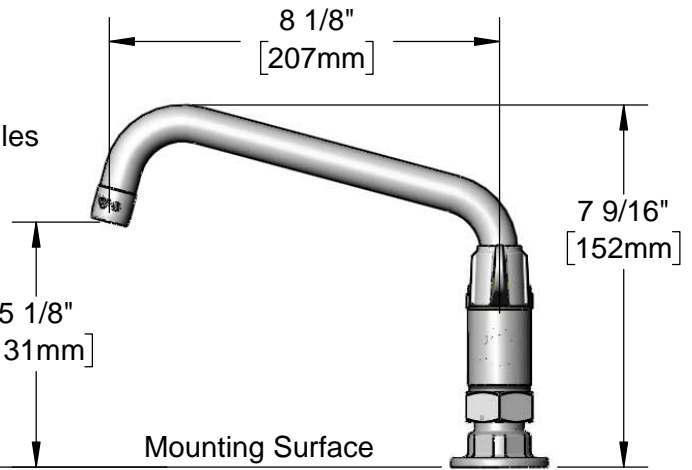
Architect/Engineer _____



5SP-08
8" equip Swing Nozzle
w/ Laminar Flow Device.
Rigid Conversion Requires
014200-45 Lock Washer
(Sold Separately)



Quarter-Turn
Ceramic Cartridges &
equip 4" Wrist Action Handles
w/ Color Coded Screws



Mounting Surface

Ø 2" [51mm]
Flanges w/
1/2" NPT
Female Inlets

Adjustable from
3 3/4" to 4 1/4"
[95mm to 108mm]



Model Number

5F-4DWX08

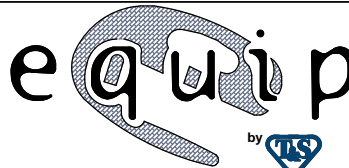
Product Specifications:

4" Deck Mount Mixing Faucet w/ Quarter-Turn Ceramic Cartridges,
equip 4" Wrist Action Handles, 8" equip Swing Nozzle
& 1/2" NPT Female Inlets

Product Compliance:

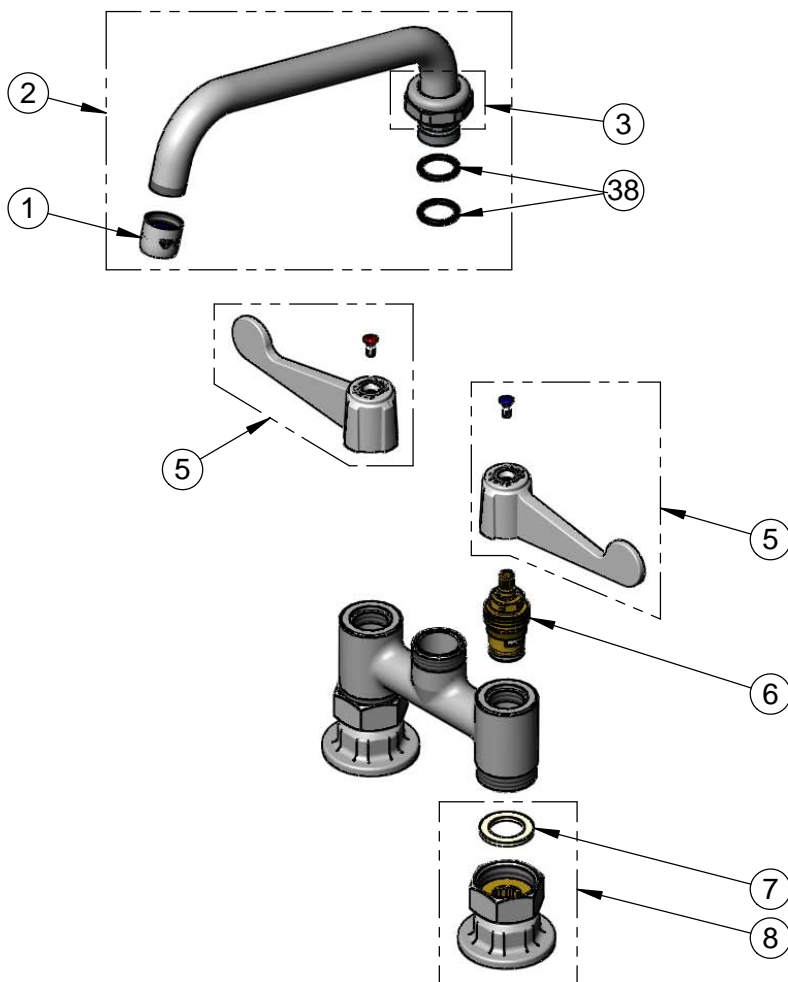
ASME A112.18.1 / CSA B125.1
NSF 61 - Section 9
NSF 372 (Low Lead Content)
ANSI A117.1 (ADA)

equip
Foodservice
Accessories



2 Saddleback Cove, P.O. Box 1088
Travelers Rest, South Carolina 29690
Phone: 800.891.4808 Fax: 800.868.0084
equip.tsbrass.com

ITEM NO.	SALES NO.	DESCRIPTION
1	014250-45	Laminar Flow Device
2	5SP-08	8" equip Swing Nozzle
3	013839-25	equip Swivel Nut
4	013848-45	equip Swivel Piece O-ring
5	5-HDL-W	equip 4" Wrist Action Handle w/ Color Coded Screws
6	013788-45	equip Quarter-Turn Ceramic Cartridge, LTC
7	001019-45	Coupling Nut Washer
8	00AA	1/2" NPT Female Eccentric Flange
9	013787-45	equip Quarter-Turn Ceramic Cartridge, RTC
38	013848-45	equip Swivel Piece O-Ring



Model Number

5F-4DWX08

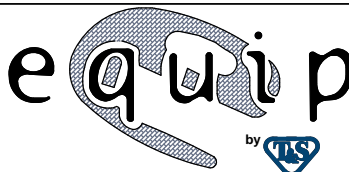
Product Specifications:

4" Deck Mount Mixing Faucet w/ Quarter-Turn Ceramic Cartridges,
equip 4" Wrist Action Handles, 8" equip Swing Nozzle
& 1/2" NPT Female Inlets

Product Compliance:

ASME A112.18.1 / CSA B125.1
NSF 61 - Section 9
NSF 372 (Low Lead Content)
ANSI A117.1 (ADA)

equip
Foodservice
Accessories



2 Saddleback Cove, P.O. Box 1088
Travelers Rest, South Carolina 29690
Phone: 800.891.4808 Fax: 800.868.0084
equip.tsbrass.com