



ADA Compliant

This Space for Architect/Engineer Approval

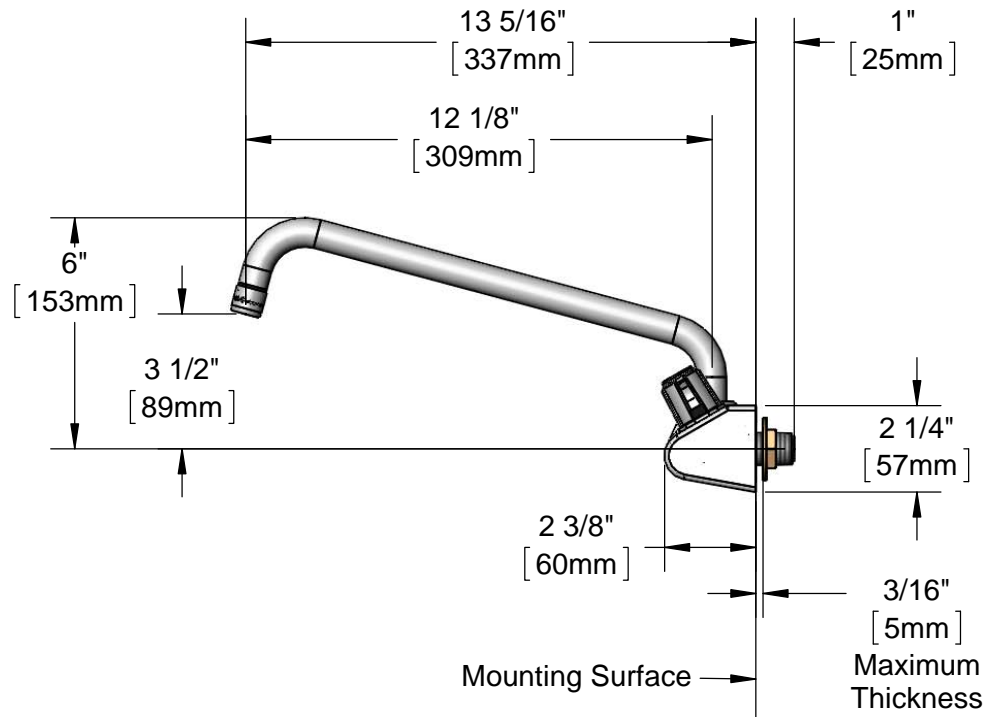
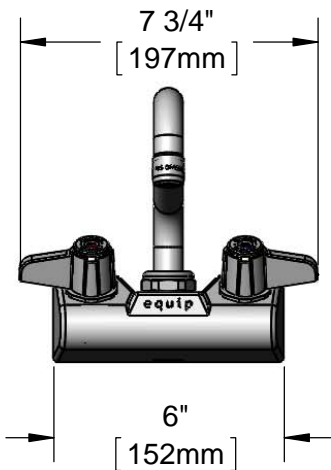
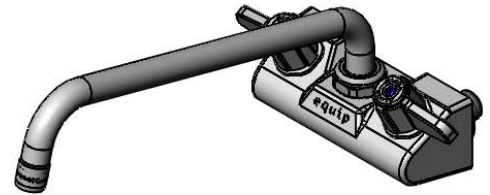
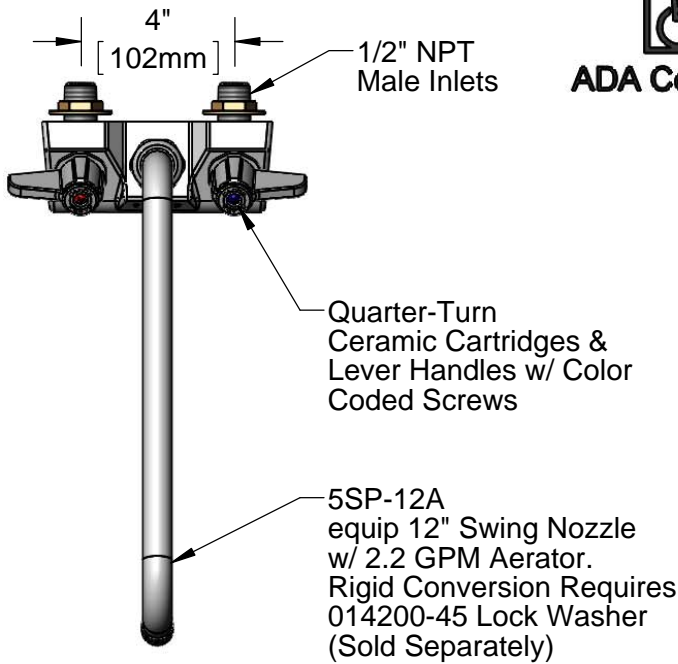
Job Name _____ Date _____

Model Specified _____ Quantity _____

Customer/Wholesaler _____

Contractor _____

Architect/Engineer _____



Rough-In Requirement:
(2) Ø 1" [25mm] Mounting Holes

Model Number

5F-4WLX12

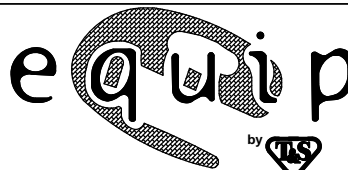
Product Specifications:

4" Wall Mount Mixing Faucet w/ Quarter-Turn Ceramic Cartridges, equip Lever Handles, equip 12" Swing Nozzle w/ 2.2 GPM Aerator & 1/2" NPT Male Inlets

Product Compliance:

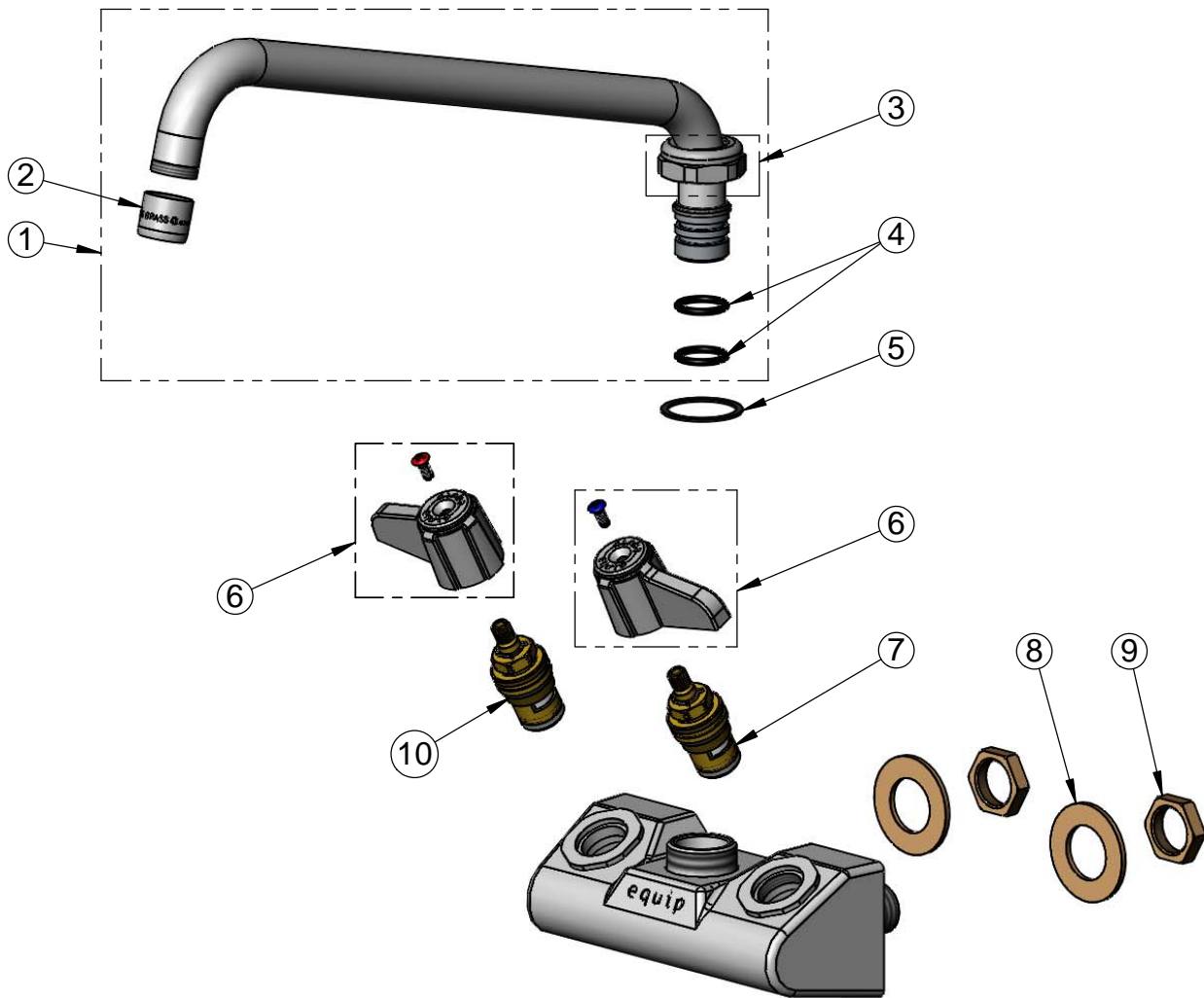
ASME A112.18.1 / CSA B125.1
NSF 61 - Section 9
NSF 372 (Low Lead Content)
ANSI A117.1 (ADA)

equip
Foodservice
Accessories



2 Saddleback Cove, P.O. Box 1088
Travelers Rest, South Carolina 29690
Phone: 800.891.4808 Fax: 800.868.0084
equip.tsbrass.com

ITEM NO.	SALES NO.	DESCRIPTION
1	5SP-12A	equip 12" Swing Nozzle
2	013838-45	2.2 GPM Aerator, 3/4-27 UN Female
3	013839-25	equip Swivel Nut
4	013848-45	O-Ring
5	017587-45	Swivel Nut Seal
6	5-HDL-L	equip Lever Handle w/ Color Coded Screws
7	013788-25	equip Ceramic Cartridge, LTC
8	000999-45	Brass Lock Washer /
9	002954-45	Shank Lock Nut
10	013787-25	equip Ceramic Cartridge, RTC



Model Number

5F-4WLX12

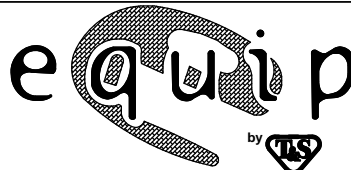
Product Specifications:

4" Wall Mount Mixing Faucet w/ Quarter-Turn Ceramic Cartridges, equip Lever Handles, equip 12" Swing Nozzle w/ 2.2 GPM Aerator & 1/2" NPT Male Inlets

Product Compliance:

ASME A112.18.1 / CSA B125.1
NSF 61 - Section 9
NSF 372 (Low Lead Content)
ANSI A117.1 (ADA)

equip
Foodservice
Accessories



2 Saddleback Cove, P.O. Box 1088
Travelers Rest, South Carolina 29690
Phone: 800.891.4808 Fax: 800.868.0084
equip.tsbrass.com