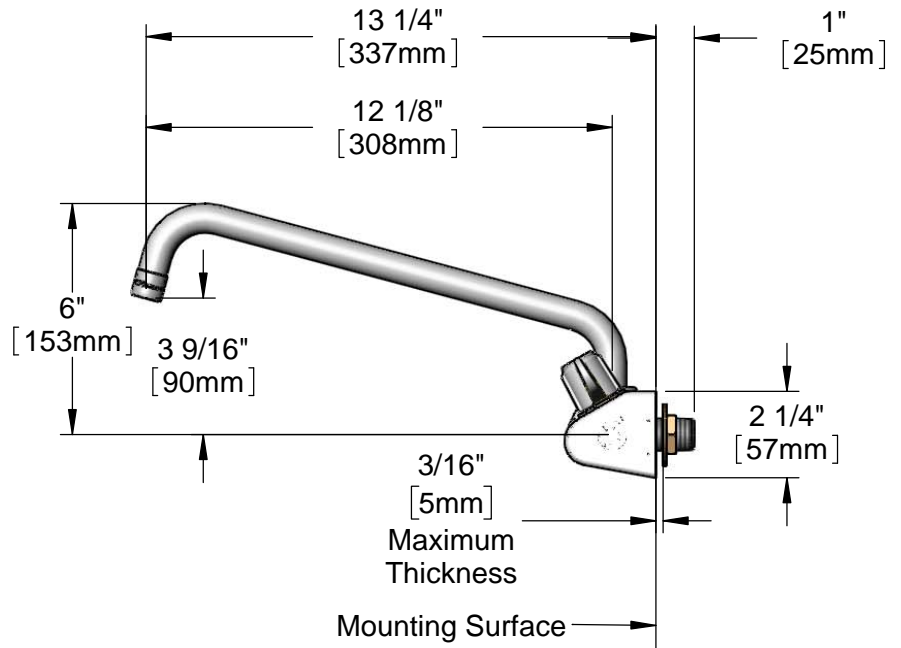
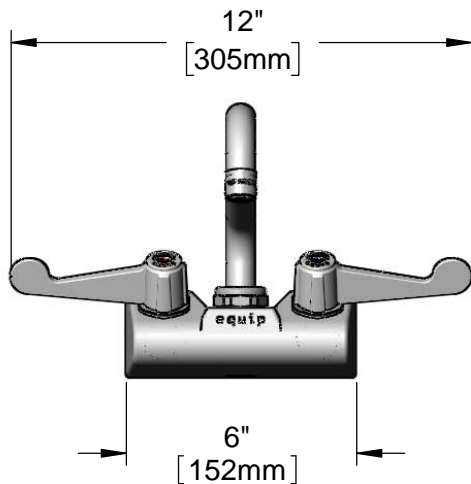
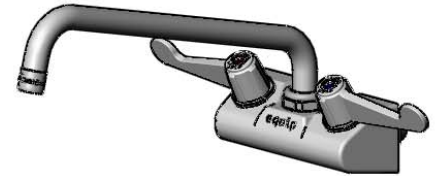
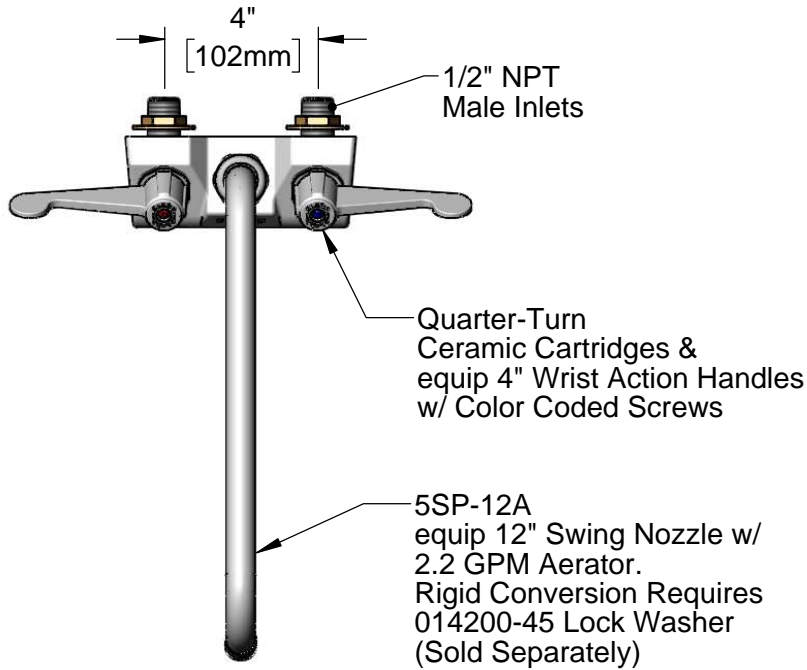


This Space for Architect/Engineer Approval

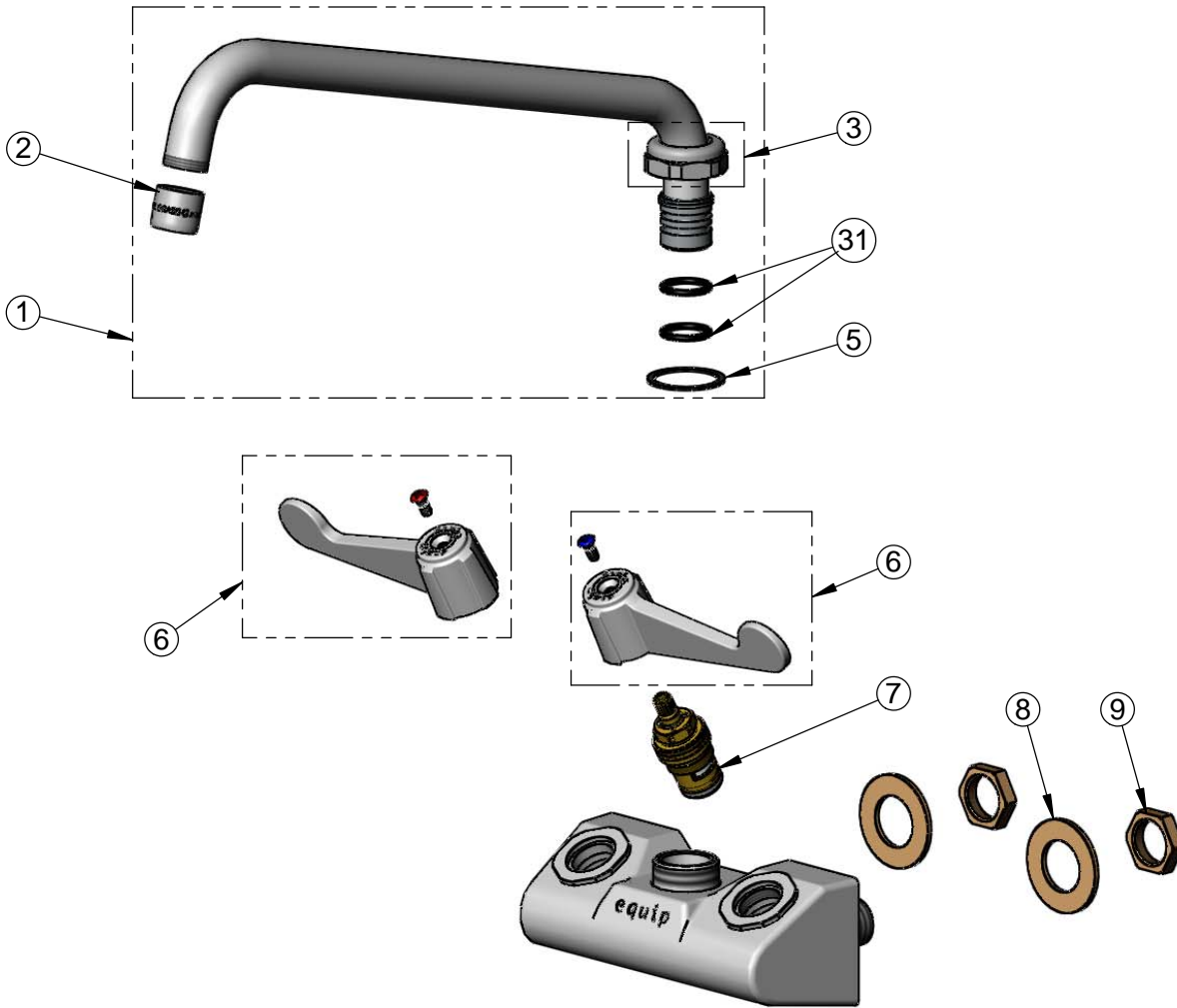
Job Name _____ Date _____
 Model Specified _____ Quantity _____
 Customer/Wholesaler _____
 Contractor _____
 Architect/Engineer _____



Rough-In Requirement:
 (2) ϕ 1" [25mm] Mounting Holes

Model Number <p style="text-align: center;">5F-4WWX12</p>	Product Specifications: <p style="text-align: center;">4" Wall Mount Mixing Faucet w/ Quarter-Turn Ceramic Cartridges, equip 4" Wrist Action Handles, 12" Swing Nozzle w/ 2.2 GPM Aerator & 1/2" NPT Male Inlets</p>				
Product Compliance: ASME A112.18.1 / CSA B125.1 NSF 61 - Section 9 NSF 372 (Low Lead Content) ANSI A117.1 (ADA)	<div style="display: flex; justify-content: space-between; align-items: center;"> <div data-bbox="602 1906 740 1980"> <p>equip Foodservice Accessories</p> </div> <div data-bbox="745 1858 1089 2032"> </div> <div data-bbox="1097 1894 1563 1995"> <p>2 Saddleback Cove, P.O. Box 1088 Travelers Rest, South Carolina 29690 Phone: 800.891.4808 Fax: 800.868.0084 equip.tsbrass.com</p> </div> </div>				
Drawn: JBC	Checked: JRM	Approved: JHB	Date: 10/30/17	Scale: 1:5	Sheet: 1 of 2

ITEM NO.	SALES NO.	DESCRIPTION
1	5SP-12A	equip 12" Swing Nozzle w/ 2.2 GPM Aerator
2	013838-45	Aerator, 3/4-27 Female, 2.2 GPM
3	013839-25	equip Swivel Nut
5	017587-45	Swivel Nut Seal
5	5-HDL-W	equip 4" Wrist Action Handle w/ Color Coded Screws
6	013788-45	equip Quarter-Turn Ceramic Cartridge, LTC
8	000999-45	Brass Lock Washer
9	002954-45	Shank Lock Nut
9	013787-45	equip Quarter-Turn Ceramic Cartridge, RTC
31	013848-45	equip Swivel Piece O-Ring



Model Number

5F-4WWX12

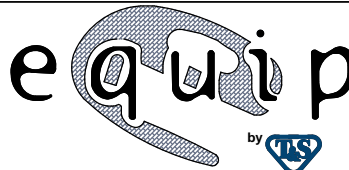
Product Specifications:

4" Wall Mount Mixing Faucet w/ Quarter-Turn Ceramic Cartridges, equip 4" Wrist Action Handles, 12" Swing Nozzle w/ 2.2 GPM Aerator & 1/2" NPT Male Inlets

Product Compliance:

ASME A112.18.1 / CSA B125.1
NSF 61 - Section 9
NSF 372 (Low Lead Content)
ANSI A117.1 (ADA)

equip
Foodservice
Accessories



2 Saddleback Cove, P.O. Box 1088
Travelers Rest, South Carolina 29690
Phone: 800.891.4808 Fax: 800.868.0084
equip.tsbrass.com