



**ADA Compliant**

*This Space for Architect/Engineer Approval*

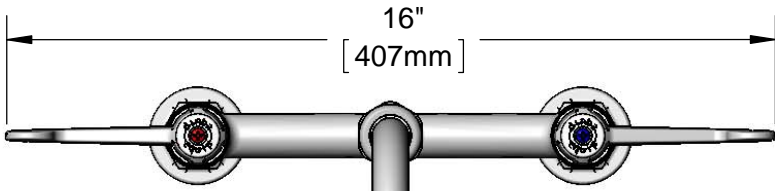
Job Name \_\_\_\_\_ Date \_\_\_\_\_

Model Specified \_\_\_\_\_ Quantity \_\_\_\_\_

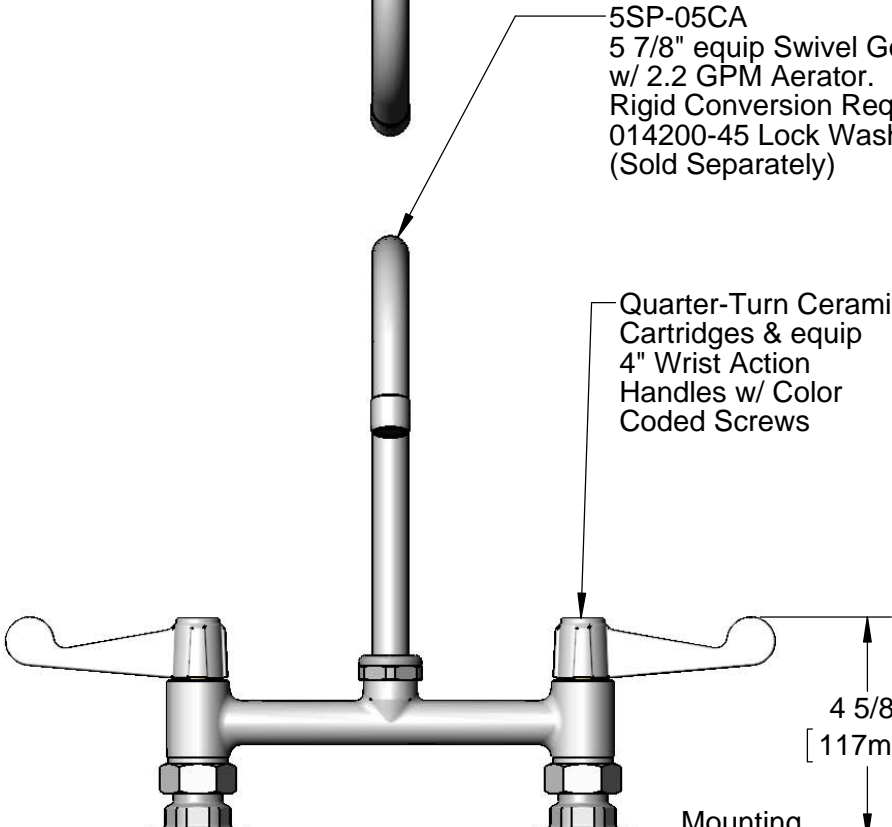
Customer/Wholesaler \_\_\_\_\_

Contractor \_\_\_\_\_

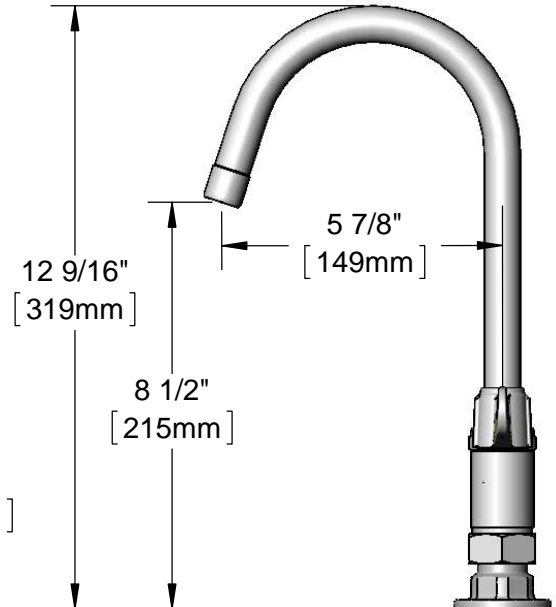
Architect/Engineer \_\_\_\_\_



5SP-05CA  
5 7/8" equip Swivel Gooseneck  
w/ 2.2 GPM Aerator.  
Rigid Conversion Requires  
014200-45 Lock Washer  
(Sold Separately)



Quarter-Turn Ceramic  
Cartridges & equip  
4" Wrist Action  
Handles w/ Color  
Coded Screws



12 9/16"  
[319mm]

5 7/8"  
[149mm]

8 1/2"  
[215mm]

4 5/8"  
[117mm]

Mounting  
Surface

8"  
[203mm]  
Adjustable From  
7 3/4" to 8 1/4"  
[197mm to 210mm]

Ø 2" [51mm]  
Flanges w/  
1/2" NPT  
Female Inlets



Rough-In Requirement:  
(2) Ø 1" [25mm] Mounting Holes

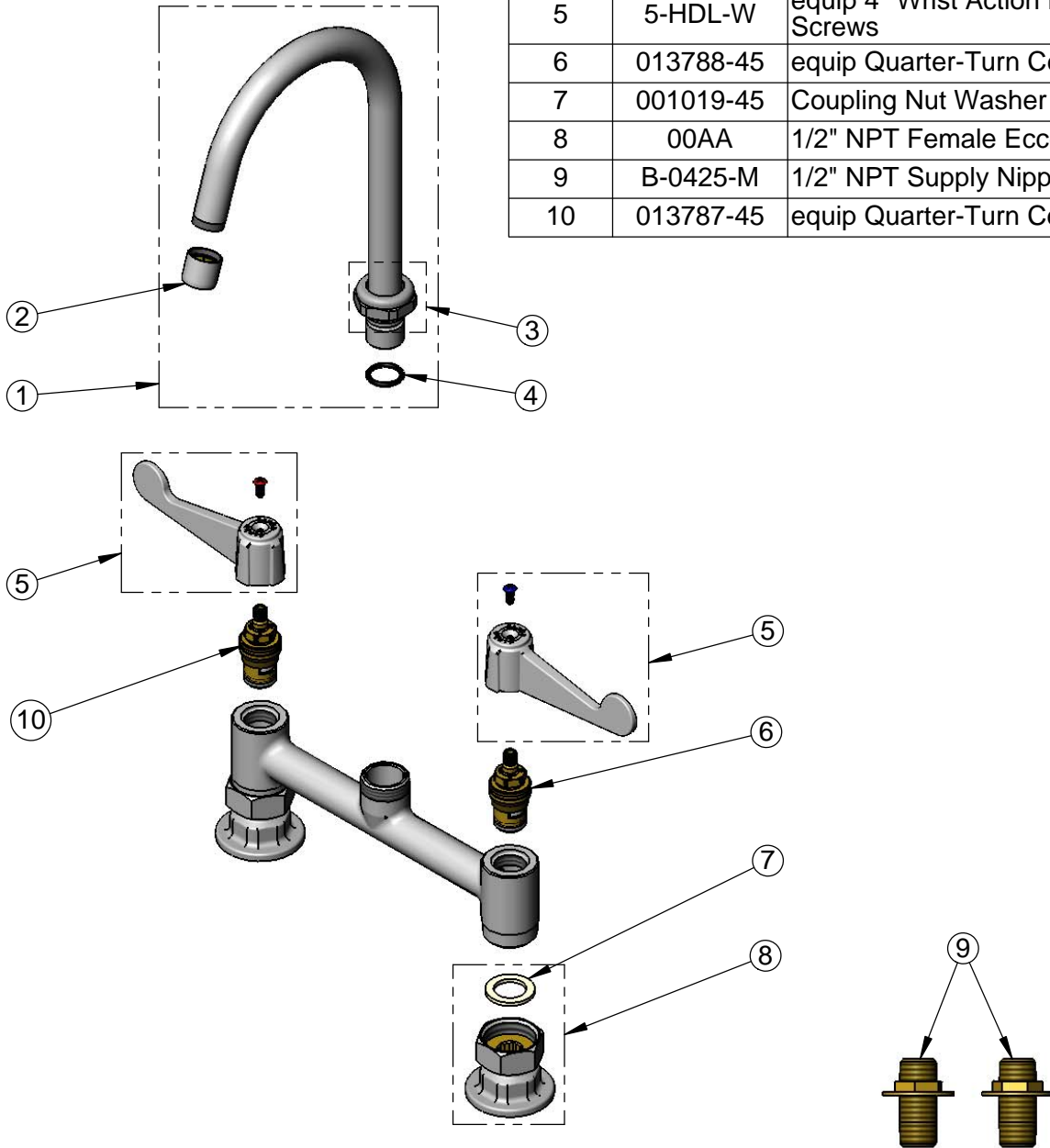
Model Number  
**5F-8DWS05CA**

Product Specifications:  
8" Deck Mount Mixing Faucet, Quarter-Turn Ceramic Cartridges,  
equip 4" Wrist Action Handles, 5 7/8" equip Swivel Gooseneck,  
2.2 GPM Aerator & 1/2" NPT Supply Nipple Kit

Product Compliance:  
ASME A112.18.1 / CSA B125.1  
NSF 61 - Section 9  
NSF 372 (Low Lead Content)  
ANSI A117.1 (ADA)

equip Foodservice Accessories 2 Saddleback Cove, P.O. Box 1088  
Travelers Rest, South Carolina 29690  
Phone: 800.891.4808 Fax: 800.868.0084  
equip.tsbrass.com

ITEM NO.	SALES NO.	DESCRIPTION
1	5SP-05CA	5 7/8" equip Swivel Gooseneck
2	013838-45	2.2 GPM Aerator, 3/4-27 UN Female
3	013839-25	equip Swivel Nut
4	013848-45	equip Swivel Piece O-Ring
5	5-HDL-W	equip 4" Wrist Action Handle w/ Color Coded Screws
6	013788-45	equip Quarter-Turn Ceramic Cartridge, LTC
7	001019-45	Coupling Nut Washer
8	00AA	1/2" NPT Female Eccentric Flange
9	B-0425-M	1/2" NPT Supply Nipple Kit (2)
10	013787-45	equip Quarter-Turn Ceramic Cartridge, RTC



Model Number

**5F-8DWS05CA**

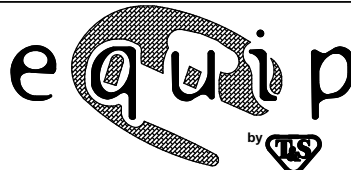
Product Specifications:

8" Deck Mount Mixing Faucet, Quarter-Turn Ceramic Cartridges, equip 4" Wrist Action Handles, 5 7/8" equip Swivel Gooseneck, 2.2 GPM Aerator & 1/2" NPT Supply Nipple Kit

Product Compliance:

ASME A112.18.1 / CSA B125.1  
NSF 61 - Section 9  
NSF 372 (Low Lead Content)  
ANSI A117.1 (ADA)

equip  
Foodservice  
Accessories



2 Saddleback Cove, P.O. Box 1088  
Travelers Rest, South Carolina 29690  
Phone: 800.891.4808 Fax: 800.868.0084  
equip.tsbrass.com