



**ADA Compliant**

*This Space for Architect/Engineer Approval*

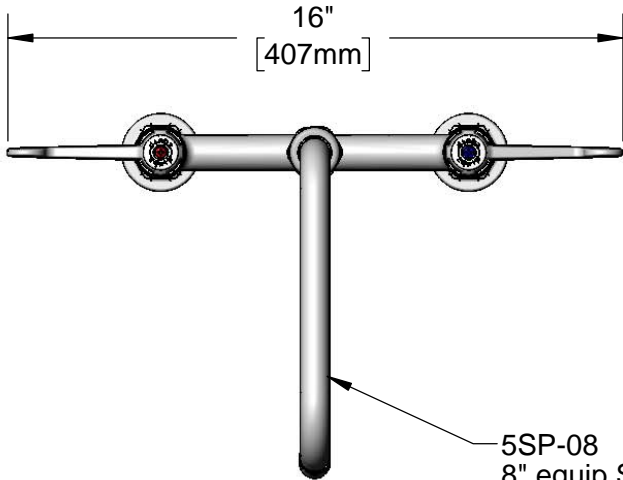
Job Name \_\_\_\_\_ Date \_\_\_\_\_

Model Specified \_\_\_\_\_ Quantity \_\_\_\_\_

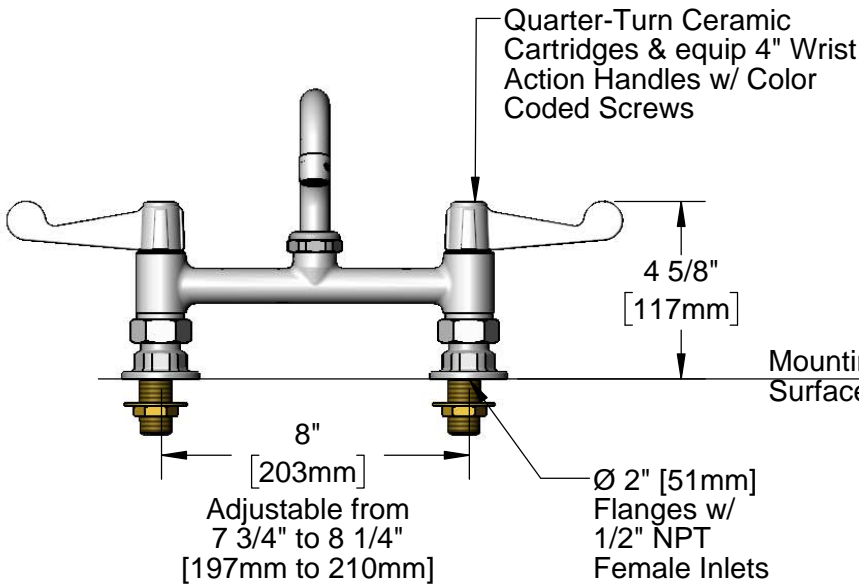
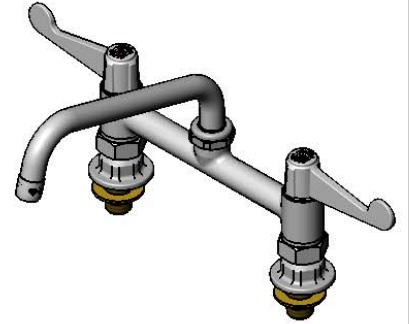
Customer/Wholesaler \_\_\_\_\_

Contractor \_\_\_\_\_

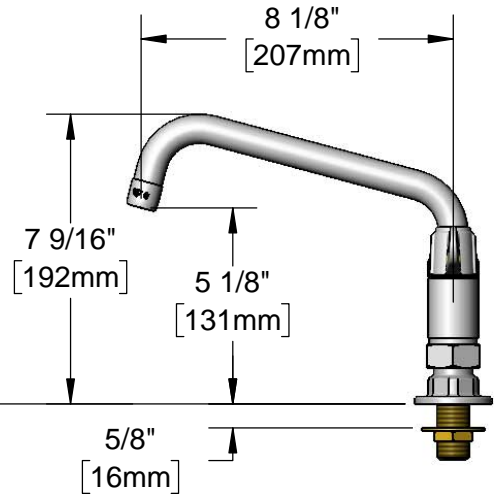
Architect/Engineer \_\_\_\_\_



5SP-08  
8" equip Swing Nozzle  
w/ Laminar Flow Device.  
Rigid Conversion Requires  
014200-45 Lock Washer  
(Sold Separately)



Quarter-Turn Ceramic  
Cartridges & equip 4" Wrist  
Action Handles w/ Color  
Coded Screws



Rough-In Requirement:  
(2) Ø 1" [25mm] Mounting Holes

Model Number  
**5F-8DWS08**

Product Specifications:  
8" Deck Mount Mixing Faucet, Quarter-Turn Ceramic Cartridges,  
equip 4" Wrist Action Handles, 8" equip Swing Nozzle  
& 1/2" NPT Supply Nipple Kit

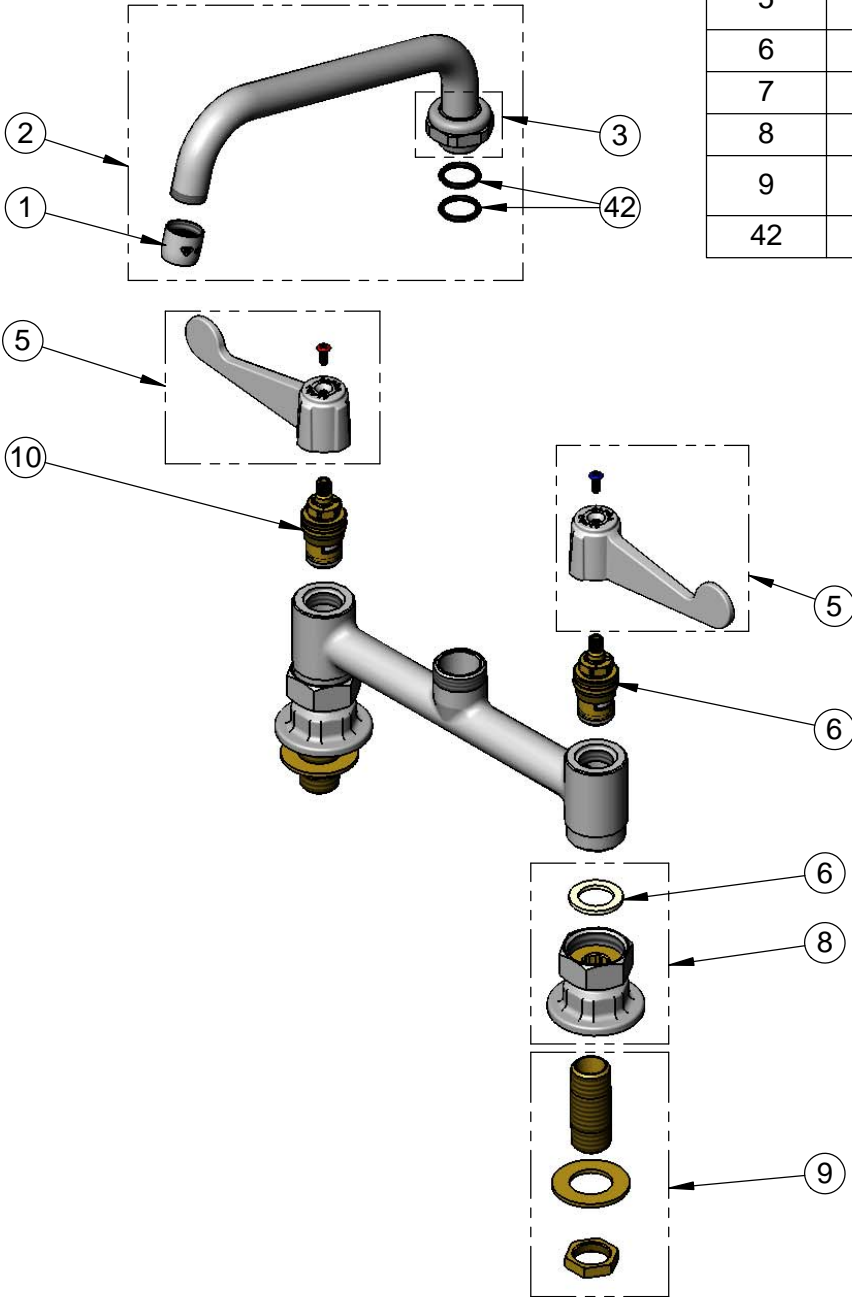
Product Compliance:  
ASME A112.18.1 / CSA B125.1  
NSF 61 - Section 9  
NSF 372 (Low Lead Content)  
ANSI A117.1 (ADA)

equip  
Foodservice  
Accessories



2 Saddleback Cove, P.O. Box 1088  
Travelers Rest, South Carolina 29690  
Phone: 800.891.4808 Fax: 800.868.0084  
equip.tsbrass.com

ITEM NO.	SALES NO.	DESCRIPTION
1	014250-45	Laminar Flow Device
2	5SP-08	8" equip Swing Nozzle
3	013839-25	equip Swivel Nut
4	5-HDL-W	equip 4" Wrist Action Handle w/ Color Coded Screws
5	013788-45	equip Quarter-Turn Ceramic Cartridge, LTC
6	001019-45	Coupling Nut Washer
7	00AA	1/2" NPT Female Eccentric Flange
8	B-0425-M	1/2" NPT Supply Nipple Kit (2)
9	013787-45	equip Quarter-Turn Ceramic Cartridge, RTC
42	013848-45	equip Swivel Piece O-Ring



Model Number  
**5F-8DWS08**

Product Specifications:  
8" Deck Mount Mixing Faucet, Quarter-Turn Ceramic Cartridges,  
equip 4" Wrist Action Handles, 8" equip Swing Nozzle  
& 1/2" NPT Supply Nipple Kit

Product Compliance:  
ASME A112.18.1 / CSA B125.1  
NSF 61 - Section 9  
NSF 372 (Low Lead Content)  
ANSI A117.1 (ADA)

equip  
Foodservice  
Accessories



2 Saddleback Cove, P.O. Box 1088  
Travelers Rest, South Carolina 29690  
Phone: 800.891.4808 Fax: 800.868.0084  
equip.tsbrass.com