

This Space for Architect/Engineer Approval

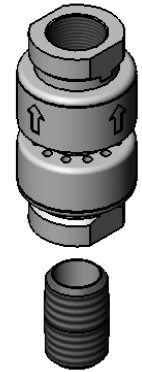
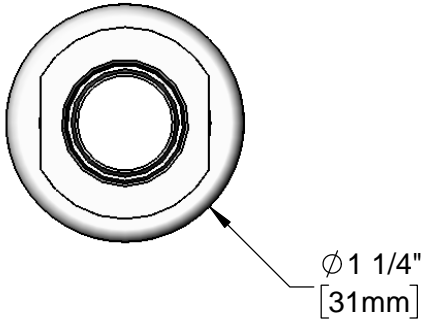
Job Name _____ Date _____

Model Specified _____ Quantity _____

Customer/Wholesaler _____

Contractor _____

Architect/Engineer _____



3/8" NPT
Female Outlet

B-0970-FE
Vacuum Breaker

2 3/8"
[60mm]

3/8" NPT
Female Inlet

3/8" NPT Male
Close Nipple

1 1/16"
[26mm]

Model Number

5PR-VB

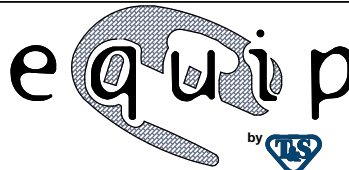
Product Specifications:

Dual Check Vacuum Breaker with Intermediate Vent, 3/8" NPT Female Inlet & Outlet (for Continuous Pressure Applications) w/ 3/8" NPT Close Nipple

Product Compliance:

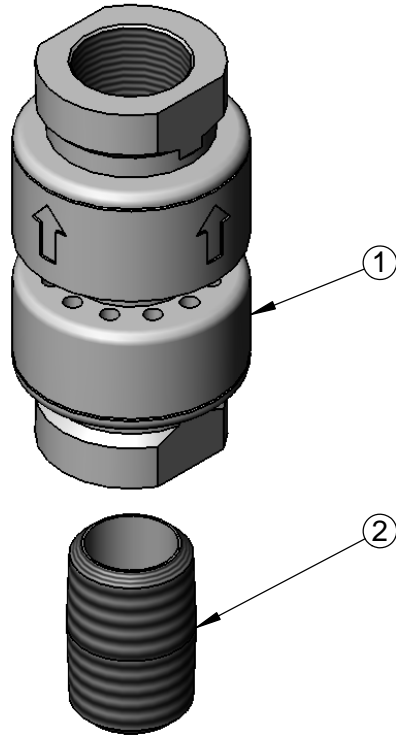
ASME A112.18.1 / CSA B125.1
NSF 61 - Section 9
NSF 372 (Low Lead Content)
CSA B64.8 (VB)


equip
Foodservice
Accessories



2 Saddleback Cove, P.O. Box 1088
Travelers Rest, South Carolina 29690
Phone: 800.891.4808 Fax: 800.868.0084
equip.tsbrass.com

| ITEM NO. | SALES NO. | DESCRIPTION |
|----------|-----------|-------------------------|
| 1 | B-0970-FE | 3/8" NPT Vacuum Breaker |
| 2 | 002535-25 | 3/8" NPT Close Nipple |



| | | | | | |
|---|---|-----------------------------|------------------------------|-------------------|----------------------|
| <p>Model Number</p> <p>5PR-VB</p> | <p>Product Specifications:</p> <p>Dual Check Vacuum Breaker with Intermediate Vent, 3/8" NPT Female Inlet & Outlet (for Continuous Pressure Applications) w/ 3/8" NPT Close Nipple</p> | | | | |
| <p>Product Compliance:</p> <p>ASME A112.18.1 / CSA B125.1 NSF 61 - Section 9 NSF 372 (Low Lead Content) CSA B64.8 (VB)</p> | <p>equip Foodservice Accessories</p>  <p>2 Saddleback Cove, P.O. Box 1088 Travelers Rest, South Carolina 29690 Phone: 800.891.4808 Fax: 800.868.0084 equip.tsbrass.com</p> | | | | |
| <p>Drawn: MRC</p> | <p>Checked: JRM</p> | <p>Approved: JHB</p> | <p>Date: 09/12/17</p> | <p>Scale: NTS</p> | <p>Sheet: 2 of 2</p> |