



Item No. \_\_\_\_\_

Quantity \_\_\_\_\_

**Model No.  
6205  
6205-240  
Counter Top  
Pizza Oven**



6205

Nemco's counter top Pizza Oven is so powerful it will cook pizza in just a few minutes and recover almost instantly, even after opening and closing the door. This oven is equipped with stone decks that distribute heat evenly and produce a better quality food product. Nemco's Pizza Oven may also be used to cook a variety of frozen foods including pretzels, cookies, biscuits, pies, hors d'oeuvres and much more. Our compact space saving design allows these units to be placed on narrow counter tops.

The front, top, sides and back of the unit are constructed of brushed stainless steel. The interior of the cabinet is mirror finished stainless steel and the bottom is galvanized steel. The cooking cavity is insulated with one inch thick high-temperature insulation and the unit is vented with an automatic fan that is located in the base of the unit. The fan also prevents the unit from becoming too hot to touch. General operating instructions are screen printed on the front of the unit for ease of operation. These powerful units are designed to meet your performance standards!

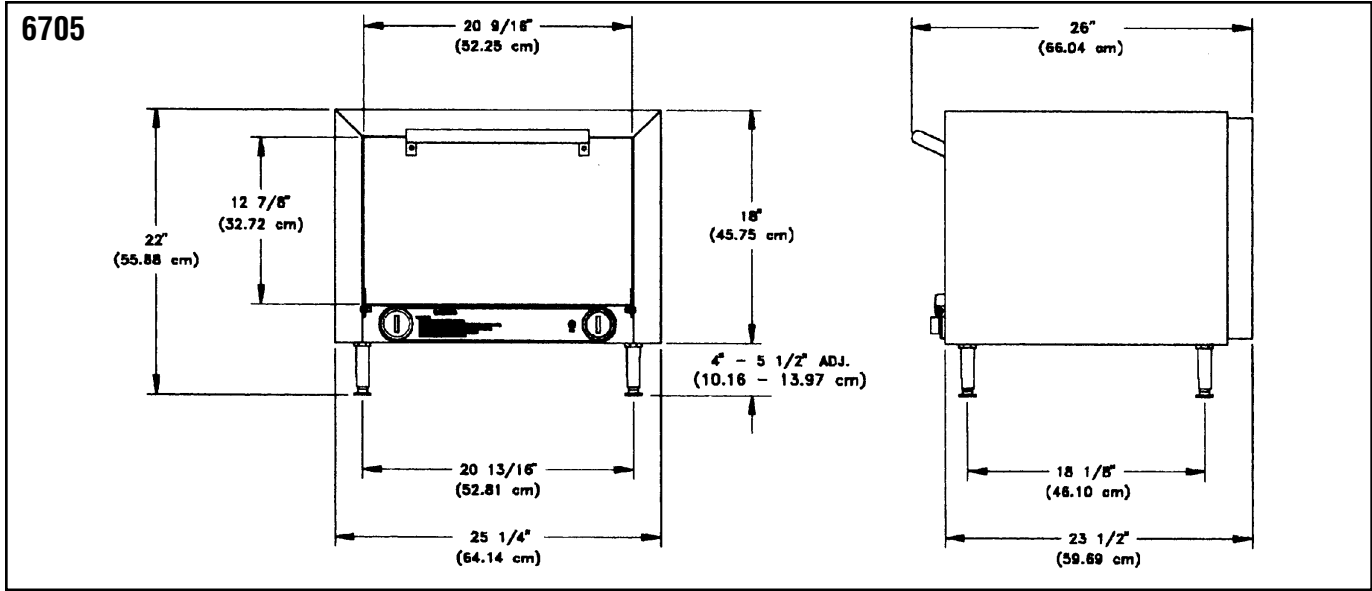
**Standard Features:**

- Stainless steel construction
- Heavy duty Incalloy tubular heating elements
- Bulb & capillary thermostat with a temperature range of 300-700° F
- Manual 60 minute bell timer
- Two removable 19" cordierite decks
- Automatically vented with a powered fan
- Four-inch adjustable legs
- Single phase
- Six foot cord and plug provided
- One year parts and labor warranty

NEMCO Food Equipment, LTD.  
301 Meuse Argonne  
P.O. Box 305  
Hicksville, OH 43526  
Phone (419) 542-7751  
FAX (419) 542-6690  
[www.nemcofoodequip.com](http://www.nemcofoodequip.com)

**Model No.  
6205  
6205-240**

AIA File No.



**Specifications:**

Model No.	Pre-heat time	Width Inches/(cm)	Depth Inches/(cm)	Height Inches/(cm)	Voltage	Rated Wattage	Nominal Amps	NEMA Configuration	Unit Weight lbs./(Kg)	Shipping Weight lbs./(Kg)
6205	60 min @ 500 degrees	25 1/4 (64.1)	23 1/2 (60.0)	22 (56.0)	120	1800	15.0	5-15P plug	106 (48.2)	130 (59.1)
6205-240	15 min @ 500 degrees	25 1/4 (64.1)	23 1/2 (60.0)	22 (56.0)	240	5400	22.5	10-30P plug	106 (48.2)	130 (59.1)

**Accessories:**

Model No.	Description
<input type="checkbox"/> 66785	Set Of Four Stainless Steel Legs
<input type="checkbox"/> 66795	Set Of Two Baking Stones, 19"W x 19"D

**Typical Specifications**

Electric countertop pizza ovens shall have a stainless steel body (except rear and bottom of unit which is aluminized steel) and interior and be equipped with a thermostatic control and Incalloy tubular heating element. The unit shall have a one inch thick high-temperature insulation and be vented with a fan. The unit shall have a maximum heat setting of 700° F. The units shall operate on 120 or 240 volts and have a wattage of 1800 on 120 volts and 6000 on 240 volts. A 6' cord and plug shall be furnished for easy installation. Electric pizza ovens shall carry the certification of ETL Testing Laboratories and shall be listed with the National Sanitation Foundation.



NEMCO Food Equipment, LTD.  
301 Meuse Argonne, P.O. Box 305  
Hicksville, OH 43526  
Phone (419) 542-7751  
FAX (419) 542-6690  
www.nemcofoodequip.com