

# Enclosed Tray Trucks

## Compact Stainless Steel



Model 657



Model 840

**Models**

**640, 642, 645, 647, 650, 652, 655, 657**  
**840, 842, 845, 847, 850, 852, 855, 857**

### Compact Design With Up To 20 Tray Capacity

- Models for 14" x 18" (356 x 457) or 15" x 20" (381 x 508) trays with ample 6" (152) ledge spacing. 16 or 20 tray capacity
- Redesigned long-life door latch
- Models 640-657 are available in choice of vinyl exterior over stainless steel
- Double door models available for loading and unloading from either side.
- Heavy-duty 5" stainless steel swivel stem casters
- Door conveniently opens 270° out of your way
- Stainless steel construction provides years of service life

**Specifications**

Unit shall be of fully welded stainless steel construction and shall accommodate either 14" x 18" (356 x 457 mm) or 15" x 20" (381 x 508 mm) meal trays. Unit back, top and sides shall be of 18-gauge stainless steel. Compartment floor shall be of 22-gauge stainless steel. Tray ledges shall be of .104 x 1" strip stainless steel. Ledges shall have 6" (152 mm) spacing and shall accommodate two trays per level. Door(s) shall be of 22-gauge double pan stainless steel, with 1" (25 mm) polystyrene insulation for sound deadening and shall have spring-loaded swing type latch. Door(s) shall swing open 270° and shall lock in an open position. Casters shall be stainless steel corner mounted stem type 5" (127 mm) diameter swivel, with shielded bearing and non-marking polyurethane wheels. Unit shall be NSF listed.

**Model 640 and 650 Series only:**

Exterior sides and door(s) shall have decorative woodgrain vinyl applied over stainless steel.

**Lakeside Manufacturing, Inc.**

4900 West Electric Avenue • West Milwaukee, WI 53219 U.S.A.

800-558-8565 • 414-902-6400 • Fax 414-902-6446 • info@eLakeside.com • www.eLakesideFoodservice.com

**Models**

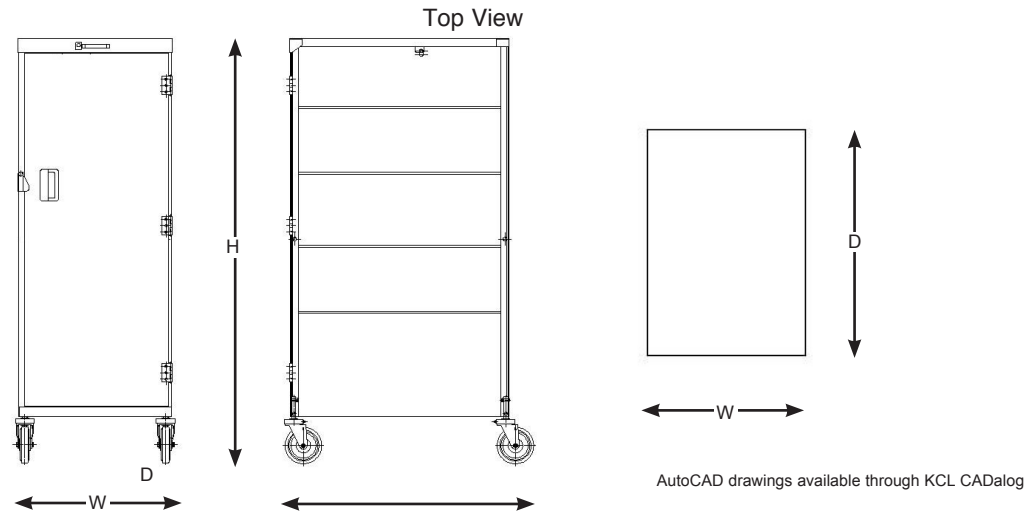
640, 642, 645, 647  
 650, 652, 655, 657  
 840, 842, 845, 847  
 850, 852, 855, 857

# Enclosed Tray Delivery Carts

Compact Stainless Steel

AIA #

Spec. #



AutoCAD drawings available through KCL CADalog

## Dimensions

Model Stainless Steel	Model SS w/Vinyl Exterior	Tray Capacity	Ledge Spacing	Door Description	Overall Size			Case Weight		Case Cube	
					W	D	H	lb.	(kg.)	ft. <sup>3</sup>	(m <sup>3</sup> )
840	640	16 ea. 14" x 18" (356 x 457)	6" (152)	1-front	21-5/8" (549)	31-1/4" (794)	58-1/4" (1480)	122	(55.3)	26.7	(.75)
845	645	16 ea. 14" x 18" (356 x 457)	6" (152)	1-front 1-back	21-5/8" (549)	31-1/4" (794)	58-1/4" (1480)	128	(58.1)	26.7	(.87)
842	642	20 ea. 14" x 18" (356 x 457)	6" (152)	1-front	21-5/8" (549)	31-1/4" (794)	70-1/4" (1784)	145	(65.8)	32.7	(.91)
847	647	20 ea. 14" x 18" (356 x 457)	6" (152)	1-front 1-back	21-5/8" (549)	31-1/4" (794)	70-1/4" (1784)	155	(70.3)	32.7	(.91)
850	650	16 ea. 15" x 20" (381 x 508)	6" (152)	1-front	23-3/4" (603)	33-1/4" (845)	58-1/4" (1480)	131	(59.4)	31	(1.08)
855	655	16 ea. 15" x 20" (381 x 508)	6" (152)	1-front 1-back	23-3/4" (603)	33-1/4" (845)	58-1/4" (1480)	136	(61.7)	31	(.87)
852	652	20 ea. 15" x 20" (381 x 508)	6" (152)	1-front	23-3/4" (603)	33-1/4" (845)	70-1/4" (1784)	154	(69.7)	38.4	(.75)
857	657	20 ea. 15" x 20" (381 x 508)	6" (152)	1-front 1-back	23-3/4" (603)	33-1/4" (845)	70-1/4" (1784)	161	(73)	38.4	(1.08)

Measurements in ( ) denote metric millimeters, unless otherwise specified.

### Optional Accessories

- Extended perimeter bumper
- Horizontal push handle (single door models)
- Ergonomic vertical push handles (single door models)
- Optional vinyl exterior finishes (640 and 650 series)

### Standard Exterior Finishes



Red Maple

Walnut

Light Maple



Lakeside Manufacturing, Inc.  
 4900 West Electric Avenue • West Milwaukee, WI 53219 U.S.A.  
 800-558-8565 • 414-902-6400 • Fax 414-902-6446  
 info@eLakeside.com • www.eLakesideFoodservice.com