



STAR-MAX® GAS GRIDDLES WITH THERMOSTATIC CONTROLS

Models 615TD, 624TD, 636TD & 648TD

Features/Benefits:

- ★ Throttling thermostat adjusts from 150° to 450°F providing quick response to surface temperature change.
- ★ Available in 15", 24", 36" and 48" widths to meet your space and volume requirements.
- ★ Highly polished 3/4" thick polished steel plate for superior heat distribution, fast recovery and energy efficient operation.
- ★ Custom designed 20,000 BTU aluminized U-shaped steel burner every 12" of cooking surface provide even heat distribution.
- ★ Heavy-duty all-welded body construction with stainless steel front, bull nose and 4-1/2" high tapered splash guard.
- ★ Spatula wide 3-1/4" front grease trough and grease chute for easy cleaning.
- ★ Large 4-1/2 quart stainless steel grease drawer.
- ★ Gas convertible in the field conversion kit supplied. Units are shipped Natural Gas.
- ★ Heavy-duty 4" adjustable legs to fit your countertop line-up requirements.

Applications:

Star-Max thermostatically controlled griddles provide maximum cooking performance and reliability. Breakfast, lunch or dinner, Star has a griddle to fit your menu needs.

Quality Construction:

Star-Max griddles feature 3/4" thick polished steel griddle plate with 4-1/2" high wrap-around stainless steel splash guard and 3-1/4" wide front access grease trough with 4-1/2 quart grease drawer capacity. Includes a 20,000 BTU aluminized burner every 12" of width controlled by a throttling thermostatic, 3/4" N.P.T. male gas connection with convertible pressure regulator, and 4" adjustable legs. These units are approved for installation within 6" of non-combustible surfaces. Griddles operate on Natural or Propane gas.

Warranty:

Star-Max gas griddles are covered by Star's one year parts and labor warranty.



Model 648TD



Model 648TD with Optional Equipment Stand



Star Manufacturing International Inc. - 10 Sunnen Drive - P.O. Box 430129 - St. Louis, MO 63143-3800

Phone: (800) 264-7827 - FAX: (800) 264-6666 - www.star-mfg.com

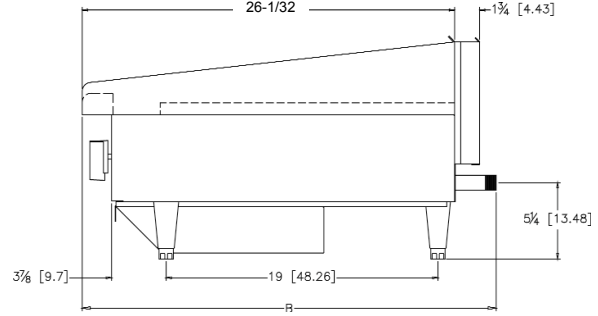
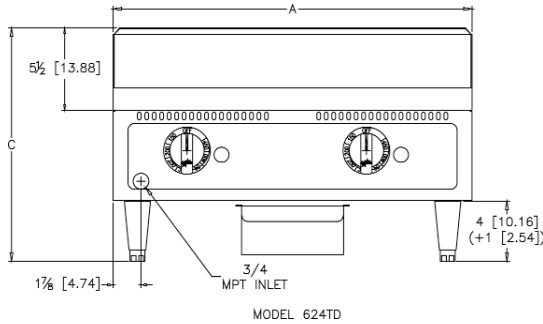
S202/0106

Star-Max® Gas Griddles with Thermostatic Controls



STAR-MAX® GAS GRIDDLES WITH THERMOSTATIC CONTROLS

Models 615TD, 624TD, 636TD & 648TD



Specifications

Model No.	Dimensions			Number of Thermostats	BTU	Grid Area	Plate Thickness Inches (cm)	Weight	
	(A) Width Inches (cm)	(B) Depth Inches (cm)	(C) Height Inches (cm)					Installed lbs. (kg)	Shipping lbs. (kg)
615TD	15 (38.1)	29 (73.7)	15-1/2 (39.4)	1	20,000	304 sq. in. 1961.4 sq cm	3/4 (1.9)	83 (37.7)	90 (40.8)
624TD	24 (61.0)	29 (73.7)	15-1/2 (39.4)	2	40,000	498 sq. in. 3213.1 sq cm	3/4 (1.9)	165 (74.8)	175 (79.4)
636TD	36 (91.4)	29 (73.7)	15-1/2 (39.4)	3	60,000	747 sq. in. 4819.6 sq cm	3/4 (1.9)	247 (112.0)	262 (118.8)
648TD	48 (121.9)	29 (73.7)	15-1/2 (39.4)	4	80,000	996 sq. in. 6426.2 sq cm	3/4 (1.9)	330 (149.7)	350 (159.0)

Typical Specifications

Gas griddles are constructed with stainless steel front panel with black polycarbonate trim and double wall aluminized steel side panels. Griddle plate is 3/4" (1.9 cm) thick highly polished steel plate with 4-1/2" high tapered wrap-around stainless steel splash guard. Unit has a 3-1/4" (8.3 cm) wide front grease trough with grease chute and a 4-1/2 qt. (4.26 L) stainless steel grease drawer. Unit has a 20,000 BTU aluminized steel burner for every 12" (30.5 cm) of width and is controlled by a throttling type thermostat. Thermostat knobs are protected by stainless steel bull nose front. A standing pilot is provided. Griddles are supplied with 4" (10.2 cm) high die cast nickel plated steel legs that have a 1-3/8" (3.5 cm) adjustment. Gas connection is 3/4" N.P.T. male and a convertible pressure regulator is provided. Units are approved for installation within 6" (15.2 cm) of combustible and non-combustible surfaces and are AGA Certified and NSF Listed. Printed in the U.S.A.

Due to periodic changes in designs, methods, procedures, policies and regulations, the specifications contained in this sheet are subject to change without notice. While Star Manufacturing exercises good faith efforts to provide information that is accurate, we are not responsible for errors or omissions in information provided or conclusions reached as a result of using the specifications. By using the information provided, the user assumes all risks in connection with such use.

Star Manufacturing International Inc. - 10 Sunnen Drive - P.O. Box 430129 - St. Louis, MO 63143-3800

Phone: (800) 264-7827 - FAX: (800) 264-6666 - www.star-mfg.com