

## Beverage Service Cart

### Stainless Steel With Laminate



Model 675

(Shown in Victorian Cherry finish with optional doors.)



Model 636



Optional Contour Top

#### Models

636, 672, 675

676, 678, 681

### Transport And Serve From One Attractive Cart

#### Benefits

- Eliminates the need for serving tables, linens
- Can be loaded in kitchen for transport to serving area

#### Features

- Durable welded stainless steel construction
- Interior stainless steel shelves store supplies and service items
- Waterproof laminate top with 2" side and back rails
- Choice of laminate/vinyl exterior finishes
- Available in three sizes, with or without spacious dropleaves

#### Castors

- Heavy-duty 5" or 4" diameter with rounded cushion-tread for quiet, easy movement

#### Specifications:

Unit shall be of welded stainless steel construction with decorative laminate top and exterior. Cabinet shall have 20-gauge sides and 24-gauge bottom, with 20-gauge interior shelves. Top shall be 3/4" plywood with finished back and waterproof laminate top finish. Top shall have black vinyl T-molding edge, and have 2" high HDPE rails on three sides. Exterior stainless steel side panels shall be covered with either heavy-duty vinyl or laminate in choice of standard or custom finishes. Models with dropleaves shall feature swing-out supports in color matching finish. Unit shall have four each plate type swivel casters, two with brake, mounted to a galvanized steel dolly on unit base. Caster wheels shall be 5" diameter (4" on Models 636 and 672) with non-marking, rounded cushion tread.

Spec. # \_\_\_\_\_

A/A # \_\_\_\_\_

Lakeside Manufacturing, Inc.

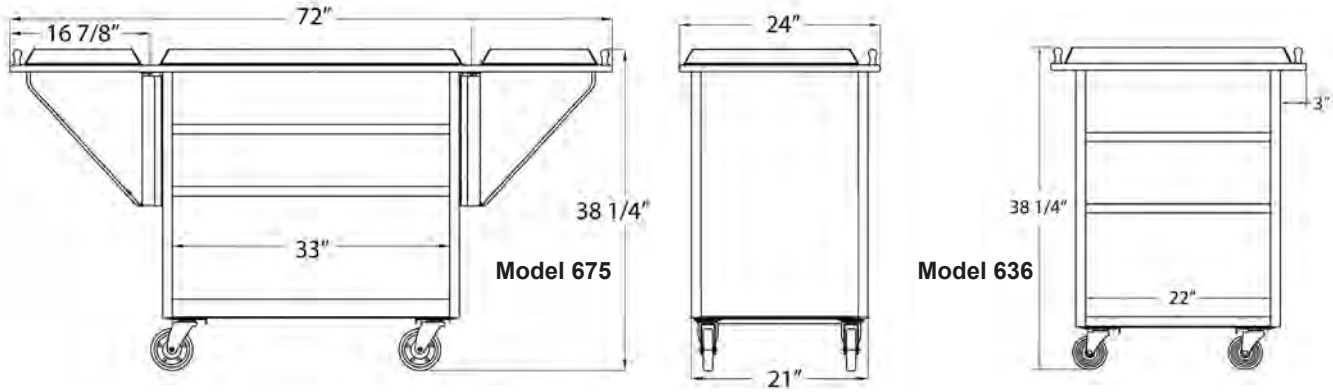
4900 West Electric Avenue • West Milwaukee, WI 53219 U.S.A.

800-558-8565 • 414-902-6400 • Fax 414-902-6446 • info@eLakeside.com • www.eLakesideFoodservice.com

**Models**  
**636, 672, 675**  
**676, 678, 681**

# Beverage Service Cart

## Stainless Steel With Laminate



**Product Information:**

Model	Overall Size			# of	Interior Shelves		Top Description		Caster Dia.	Case Wt. Lbs.
	W	L	H		Size	Clearance	Leaves	Size		
<i>Models With Drop-leaves</i>										
672	21"	33 1/8"	38 1/4"	2 ea.	15 1/2" x 24"	7 3/8"	Up	19 1/2" x 45 3/8"	4"	128
				(533)	(841)	(973)		1 ea.		
675	24"	44 1/4"	38 1/4"	2 ea.	21" x 35"	6 1/4"	Up	22 1/2" x 72"	5"	211
				(610)	(1126)	(973)		1 ea.		
676	24"	61 1/4"	38 1/4"	2 ea.	21" x 50"	6 1/4"	Up	22 1/2" x 93 1/4"	5"	231
				(610)	(1568)	(973)		1 ea.		
<i>Models Without Drop-leaves</i>										
636	21"	30 1/4"	38 1/4"	2 ea.	15 1/2" x 24"	7 3/8"	N/A	19 1/2" x 27 1/2"	4"	107
				(533)	(768)	(973)		1 ea.		
678	24"	40 3/4"	38 1/4"	2 ea.	21" x 35"	6 1/4"	N/A	22 1/2" x 37 3/4"	5"	164
				(610)	(1035)	(973)		1 ea.		
681	24"	58 3/8"	38 1/4"	2 ea.	21" x 50"	6 1/4"	N/A	22 1/2" x 55 5/8"	5"	184
				(610)	(1483)	(973)		1 ea.		

*Dimensions in ( ) denote metric millimeters, unless otherwise noted.*

**Available Finishes**



Walnut     Gray Sand     Light Maple     Victorian Cherry



Beige Suede     Hard Rock Maple     Red Maple     Red     Green     Black     Royal Blue     Purple

**Options:**

- 2 ea. brake casters
  - Contour top
  - Hinged doors
  - Hinged doors with lock
  - Pull-out silverware drawer
- (Models 676, 681)*



**Lakeside Manufacturing, Inc.**  
 4900 West Electric Avenue • West Milwaukee, WI 53219 U.S.A.  
 800-558-8565 • 414-902-6400 • Fax 414-902-6446  
 info@eLakeside.com • www.eLakesideFoodservice.com

Spec. #

AIA #