

Ergo-One® System Utility Carts

Medium Duty Stainless Steel Ergonomic Carts

Models

6800, 6810, 6820, 6830



Model 6820

Reduce Injuries Caused By Improper Pushing, Lifting And Loading

- Both stainless steel shelves are in the “safe zone” for repetitive loading and unloading
- Durable, easy-to-clean and sanitize stainless steel
- Fully welded construction for added durability
- Protective leg bumpers and comfortable handle grips
- 500 lb. (230 kg.) capacity is ideal for constant use over standard floor surfaces

Spec. #

A/A #

Lakeside Manufacturing, Inc.

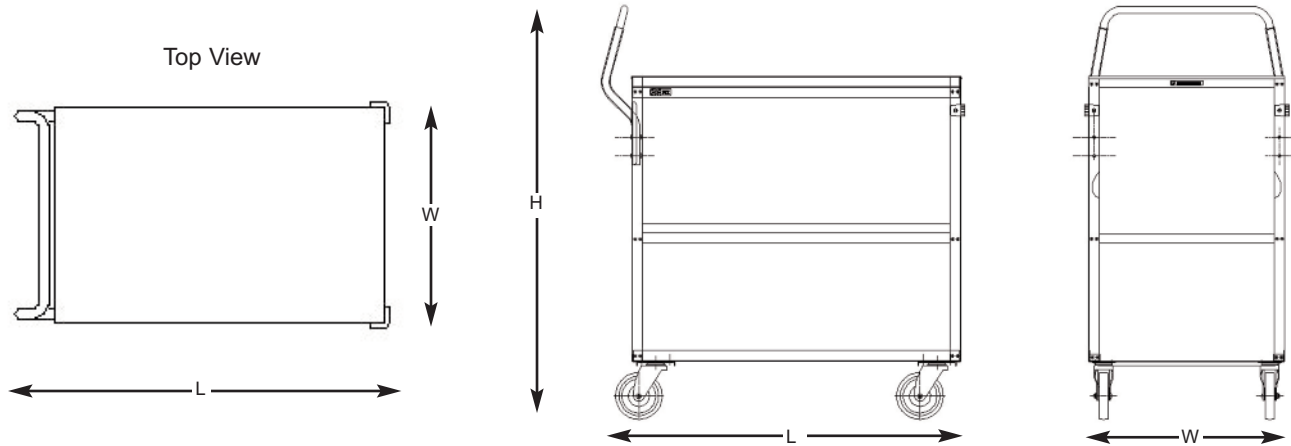
4900 West Electric Avenue • West Milwaukee, WI 53219 U.S.A.
800-558-8565 • 414-902-6400 • Fax 414-902-6446 • info@eLakeside.com • www.eLakesideFoodservice.com

Ergo-One® System Utility Carts

Medium Duty Stainless Steel Ergonomic Carts

Models

6800, 6810
6820, 6830



AutoCAD drawings available through KCL CADalog

Model Information

Model	# of	Shelf Description		Top Shelf Height*	Overall Size			Lake-Glide® Casters		Case Weight	
		Size	Clearance		W	L	H**	Type	Dia.	lb.	(kg.)
6800	2	15-1/2" x 24" (394 x 610)	14-1/8" (359)	35-1/4" (895)	16-1/2" (419)	28" (711)	44-3/8" (1127)	All swivel cushion tread	5" (127)	32	(14.5)
6810	2	18" x 27" (457 x 686)	14-1/8" (359)	35-1/4" (895)	19" (483)	31-1/8" (791)	44-3/8" (1127)	All swivel cushion tread	5" (127)	35	(15.9)
6820	2	21" x 35" (533 x 889)	14-1/2" (368)	35-3/4" (908)	22" (559)	39-1/8" (994)	44-3/8" (1127)	All swivel cushion tread	5" (127)	61	(27.6)
6830	2	21" x 49" (533 x 610)	14-1/2" (368)	35-3/4" (908)	22" (559)	53-1/8" (1400)	44-3/8" (1127)	2-swivel, 2-fixed cushion tread	5" (127)	88	(39.9)

*Measured from floor.

**Includes height of ergonomic handles. Handle assembly is required.

Measurements in () denote metric millimeters, unless otherwise specified.

Specifications

Unit shall be of fully welded unitized construction with an overall carrying capacity of 500 lb. (230 kg). Corner legs shall be of 16-gauge angle stainless steel. Shelves shall be of 20-gauge stainless steel with long shelf edges double hemmed for extra strength and shall be electronically spot welded to upright legs at all points. Bottom shelf shall be positioned no closer than 20" (508 mm) from the floor surface, and top shelf shall be positioned no higher than 36" (914 mm) from the floor surface. Push handles shall be of ergonomic vertical design and shall feature 8" (203 mm) range grip height. Unit shall have corner bumpers mounted to front legs. Four each 5" (127 mm) swivel casters with non-marking polyurethane wheels shall be mounted to cross members of 18-gauge stainless steel.

Models 6820 and 6830 only:

Top shelf shall have 16-gauge angle reinforcements welded to long shelf edges.

Optional Accessories

- Set of two each brake casters
- Clear vinyl slipover box type cover



Lakeside Manufacturing, Inc.

4900 West Electric Avenue • West Milwaukee, WI 53219 U.S.A.
800-558-8565 • 414-902-6400 • Fax 414-902-6446
info@eLakeside.com • www.eLakesideFoodservice.com