



Project:

Item Number:

Quantity:

**PROFESSIONAL SERIES DROP-IN INDUCTION RANGES**



Professional Series Drop-in Induction Ranges

**MODELS**

**69521 Single Hob Drop-in (US/Canada)**

**69524 Dual Hob Drop-in – Front to Back (US/Canada)**

**FEATURES**

- G4 engine for long life
- 100 settings for precise cooking control – set to power level or temperature setting
- 90% efficiency rating
- Continuous duty induction circuitry for non-stop cooking
- Firewall protected circuitry with oversized fans and 18 gauge heavy-duty 18-8 stainless steel casing
- 1-180 minute timer – unit shuts off at end of cycle
- Digital display is easy to clean – no knobs to collect food and it helps prevent accidental temperature changes
- "HOT" warning display for safety
- Three-foot remote control cord on drop-in models
- FCC Part 18 Approved
- Units come with 6' (183 cm) cord and plug and do not require hard wiring
- Rubber feet to prevent slipping of appliance
- Full two-year parts and labor warranty

**DESCRIPTION**

These high-efficiency, heavy-duty professional drop-in induction ranges are designed for use in commercial kitchens and front-of-the-house cooking. They provide sensitive low-end control for cooking sauces, milks and chocolates as well as fast, high temperature cooking.

The case is made from 18-gauge 304 stainless steel with a vitro ceramic top. The ceramic top is easily cleaned with a mild cleaner.

The induction range is equipped with a variety of safety features including:

- Over-heat protection
- Small-article detection
- Pan auto-detection function
- Empty-pan shut-off

**IMPORTANT**

- This appliance is intended for use with induction-ready cookware.
- All models require unrestricted intake and exhaust air ventilation for proper operation of the controls. The maximum intake temperature must not exceed 110°F (43°C). Temperatures are measured in ambient air while all appliances in the kitchen are in operation.
- Drop-in models require a minimum clearance of 3 inches (7.6 cm) at the rear and 1 inch (2.5 cm) at the bottom.

**WARRANTY:** All models shown come with Vollrath's standard warranty against defects in materials and workmanship. For full warranty details, please refer to the Vollrath Equipment and Smallwares Catalog.

**Agency Listings**



This device complies with Part 18 FCC Rules.

Due to continued product improvement, please consult [www.vollrathco.com](http://www.vollrathco.com) for current product specifications.

Approvals	Date



Setting the Standard™

[www.vollrathco.com](http://www.vollrathco.com)

The Vollrath Company, L.L.C.  
1236 North 18th Street  
Sheboygan, WI 53081-3201 U.S.A.  
Customer Service: 800.628.0830  
Canada Customer Service: 800.695.8560  
Main Fax: 800.752.5620 or 920.459.6573

Technical Services: 800.628.0832  
Technical Services Fax: 920.459.5462

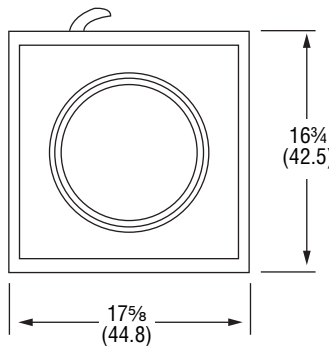
# PROFESSIONAL SERIES DROP-IN INDUCTION RANGES

**MODELS** 69521 Single Hob Drop-in (US/Canada)  
 69524 Dual Hob Drop-in – Front to Back (US/Canada)

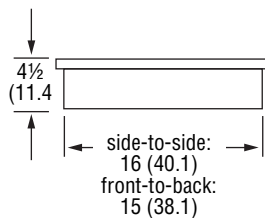
## DIMENSIONS

Dimensions shown in inches (cm).

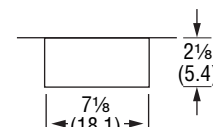
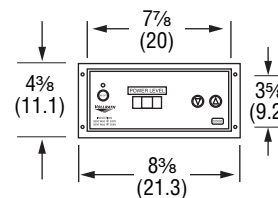
### 69521



Top View

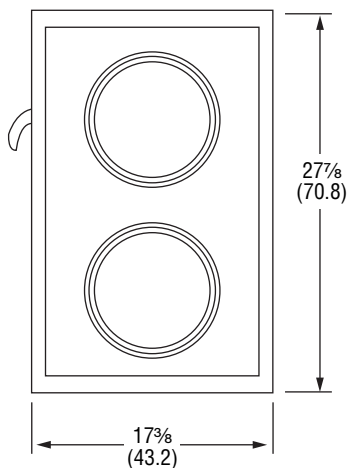


Side View

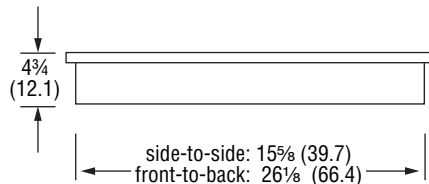


Control

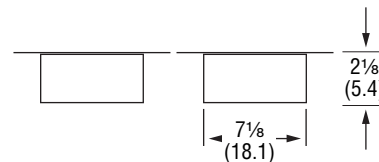
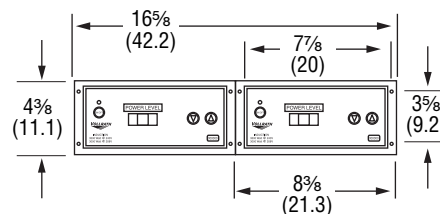
### 69524



Top View



Side View

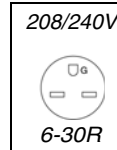
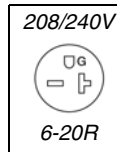


Control

## SPECIFICATIONS

Model	Max Pan Size	Drop-in Cutout	Control Cutout	Voltage	KW	Amps	Plug	Shipping Container	Shipping Weight
69521	14 (35.6)	16 1/8 x 15 1/8 (40.9 x 38.4)	7 1/4 x 3 7/8 (18.4 x 9.8)	208/240 AC	2.5 - 2.9	12.1	6-20P	19 1/2 x 24 1/4 x 10 (49.5 x 61.6 x 25.4)	25.4 (11.5)
69524	12 (30.5)	26 3/8 x 15 7/8 (67 x 40.3)	7 1/4 x 3 7/8 (x 2) (18.4 x 9.8) (x 2) Two separate control boxes. Minimum spacing for control panels is 16 5/8 (42.2)	208/240 AC	2.5 - 2.9 Per Hob	24.2	6-30P	33 x 23 3/8 x 10 (83.8 x 59.4 x 25.4)	43.6 (19.8)

### Receptacles



The Vollrath Company, L.L.C.  
 1236 North 18th Street  
 Sheboygan, WI 53081-3201 U.S.A.  
 Customer Service: 800.628.0830  
 Canada Customer Service: 800.695.8560  
 Main Fax: 800.752.5620 or 920.459.6573

Technical Services: 800.628.0832  
 Technical Services Fax: 920.459.5462