

# Ergo-One® System Utility Carts

## Heavy Duty Stainless Steel - 700 lb. Capacity

### Models

5910, 5915, 5920, 5925, 5930  
7010, 7015, 7020, 7025, 7030



Model 7025

### Reduce Injuries Caused By Improper Pushing, Lifting and Loading

- Shelf heights are in the safe range for repetitive loading and unloading
- Top shelf height from the floor is 40"- 43", bottom shelf is 20"
- Vertical handles are at a comfortable height for all users
- All-welded stainless steel construction for added strength
- Protective leg bumpers and comfortable handle grips
- Easy-to-clean and sanitize, simply wipe down or steam clean
- NSF listed models are available
- 700 lb. (320 kg) capacity is ideal for constant moving of heavy loads over various standard floor surfaces

Spec. #

AIA #

Lakeside Manufacturing, Inc.

4900 West Electric Avenue • West Milwaukee, WI 53219 U.S.A.

800-558-8565 • 414-902-6400 • Fax 414-902-6446 • info@eLakeside.com • www.eLakesideFoodservice.com

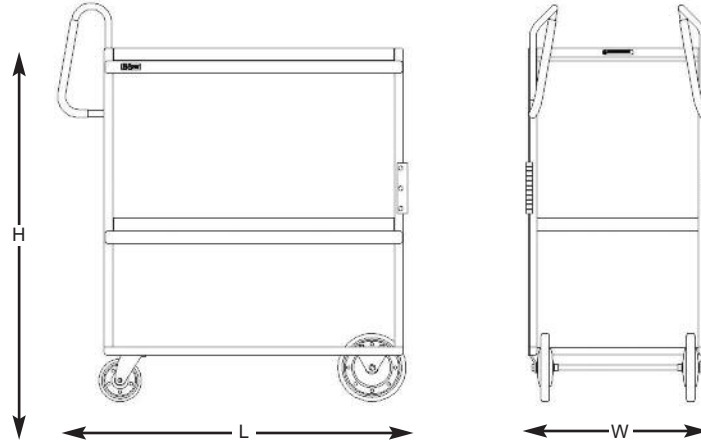
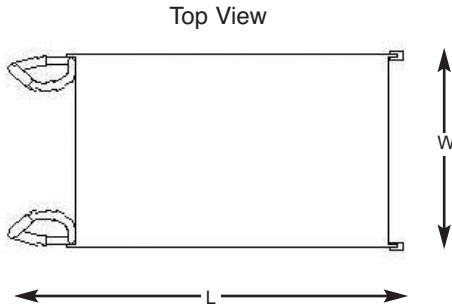
# Ergo-One® System Utility Carts

## Heavy Duty

AutoCAD drawings available through KCL CADalog

### Models

5910, 5915, 5920, 5925, 5930  
7010, 7015, 7020, 7025, 7030



### Model Information

Model	NSF Model	Shelf Description			Top Shelf Height*	Overall Size			Case Weight	
		# of	Size	Clearance		W	L	H**	lb.	(kg.)
7010	5910	2	18" x 27" (457 x 686)	18-1/2" (470)	40" (1016)	18-5/8" (473)	35-3/8" (899)	46-3/4" (1187)	53	(24)
7015	5915	3	18" x 27" (457 x 686)	10" (254)	43" (1092)	18-5/8" (473)	35-3/8" (899)	46-3/4" (1187)	63	(28.6)
7020	5920	2	21" x 33" (533 x 838)	18-1/2" (470)	40" (1016)	21-5/8" (549)	41-3/8" (1051)	46-3/4" (1187)	64	(29)
7025	5925	3	21" x 33" (533 x 838)	10" (254)	43" (1092)	21-5/8" (549)	41-3/8" (1051)	46-3/4" (1187)	78	(35.4)
7030	5930	2	21" x 49" (533 x 1245)	18-1/2" (470)	40" (1016)	21-5/8" (549)	57-3/16" (1453)	46-3/4" (1187)	87	(39.5)

\*Measured from floor.

\*\*Includes height of ergonomic handles. Handle assembly is required.

Measurements in ( ) denote metric millimeters, unless otherwise specified.

### Specifications

Unit shall be of fully welded stainless steel construction. Legs and frame shall be of .120 x 1" x 1" angle stainless steel and shall be joined with a continuous arc weld. Shelves shall be of 18-gauge stainless steel, and shall be welded to vertical leg frame. Shelves shall be double hemmed on all four edges for extra rigidity. Bottom shelf shall be positioned no closer than 20" (508 mm) from the floor surface, and top shelf shall be positioned no higher than 43" (1092 mm) from the floor surface. Push handles shall be of ergonomic vertical design and shall feature 8" range grip height. Unit shall have two each 5" (127 mm) diameter extra-load swivel casters with 1-1/4" (32 mm) wide non-marking Cushion-tread wheels and two each 8" diameter extra-load cushion-treadwheels mounted to a fixed axle. Swivel casters shall be plate type and shall be bolted to an 18-gauge 5" wide stainless steel cross member with a galvanized reinforcement. Unit shall have two each 6" (152 mm) vertical bumpers riveted to front legs.

### Optional Accessories

- Extended perimeter bumper
- All 5" swivel casters
- Set of two 5" brake casters



Lakeside Manufacturing, Inc.

4900 West Electric Avenue • West Milwaukee, WI 53219 U.S.A.

800-558-8565 • 414-902-6400 • Fax 414-902-6446

info@eLakeside.com • www.eLakesideFoodservice.com