



Project:

Item Number:

Quantity:

Retro Stock Pot Kettle Rethermalizers

The Vollrath Company, L.L.C.

RETRO STOCK POT KETTLE RETHERMALIZERS



Retro Stock Pot Kettle Rethermalizer

MODELS

- 7217210 11 qt. – Natural
- 7217235 11 qt. – Green Apple
- 7217250 11 qt. – Pearl White
- 7217255 11 qt. – Fire Engine Red
- 7217260 11 qt. – Black, Black
- 7217710 7 qt. – Natural
- 7217735 7 qt. – Green Apple
- 7217750 7 qt. – Pearl White
- 7217755 7 qt. – Fire Engine Red
- 7217760 7 qt. – Black, Black

FEATURES

- Thermostatic control for precise temperature control
- Bottom exit 6 ft. (183 cm) cord stays out of your way
- Front access dials for easy temperature setting and maintaining accuracy
- Cooler exterior by concentrating heat inside the well
- Non-skid feet
- Water capacity reduces labor cost and improves food quality by maintaining maximum moist heat
- Spot welded handles and rolled edges ensure maximum mobility and strength

DESCRIPTION

Vollrath Retro Stock Pot Kettle Rethermalizers, with colorful styling, are designed to increase soup sales at any location. The durable color finishes enhance the presentation. Available in Green Apple, Pearl White, Fire Engine Red, Black Black, or Natural finishes.

The 1450 watt, 7 qt. and 11 qt. rethermalizers can heat your refrigerated soups and sauces to piping hot. Then serve them from the same thermostatically controlled unit.

Retro Stock Pot Kettle Rethermalizers are shipped complete with inset, cover with hinge, soup cards and card holder. The cover is not NSF.

WARRANTY: All models shown come with Vollrath's standard warranty against defects in materials and workmanship. For full warranty details, please refer to the Vollrath Equipment and Smallwares Catalog.

Agency Listings



Due to continued product improvement, please consult www.vollrathco.com for current product specifications.

Approvals	Date



Setting the Standard™

www.vollrathco.com

The Vollrath Company, L.L.C.
 1236 North 18th Street
 Sheboygan, WI 53081-3201 U.S.A.
 Customer Service: 800.628.0830
 Canada Customer Service: 800.695.8560
 Main Fax: 800.752.5620 or 920.459.6573

Technical Services: 800.628.0832
 Technical Services Fax: 920.459.5462

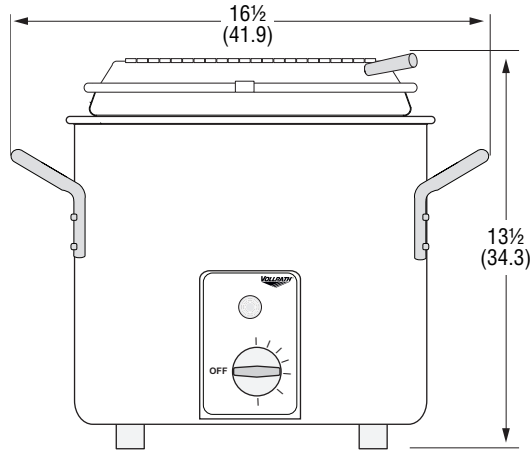
A City Discount

RETRO STOCK POT KETTLE RETHERMALIZERS

MODELS	7217210 11 qt. – Natural	7217710 7 qt. – Natural
	7217235 11 qt. – Green Apple	7217735 7 qt. – Green Apple
	7217250 11 qt. – Pearl White	7217750 7 qt. – Pearl White
	7217255 11 qt. – Fire Engine Red	7217755 7 qt. – Fire Engine Red
	7217260 11 qt. – Black, Black	7217760 7 qt. – Black, Black

DIMENSIONS

Dimensions shown in inches (cm).



Front View

PERFORMANCE CRITERIA

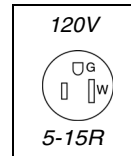
Retro Stock Pot Kettle Rethermalizers are designed to rethermalize – to take a container of cooked food from a chilled state (below 40.0°F [4.4°C]) through the HACCP “danger zone” to 165°F (73.9°C) in less than two hours.

For hot food holding, the temperature will be maintained best when the food product and inset are used with a standard inset cover, the proper water level is maintained in the well, and the food product is stirred regularly. The gentle moist heat will maintain food temperature, but will not raise the serving temperature. Rethermalizers are designed to retherm, hold, and serve most any food product and can efficiently take a prepared food from frozen to piping hot and thermostatically hold serving temperature.

SPECIFICATIONS

Model	Dimensions (Diameter x Height)	Capacity QT (L)	Volts	Watts	Amps	Plug	Shipping Weight LB (KG)	Shipping Dimensions
7217210	16½ x 13½ (41.9 x 34.3)	11 (10.4)	120V	1450	12	5-15P	19 (8.6)	19½ x 19½ x 14½ (48.6 x 48.6 x 37.1)
7217235	16½ x 13½ (41.9 x 34.3)	11 (10.4)	120V	1450	12	5-15P	19 (8.6)	19½ x 19½ x 14½ (48.6 x 48.6 x 37.1)
7217250	16½ x 13½ (41.9 x 34.3)	11 (10.4)	120V	1450	12	5-15P	19 (8.6)	19½ x 19½ x 14½ (48.6 x 48.6 x 37.1)
7217255	16½ x 13½ (41.9 x 34.3)	11 (10.4)	120V	1450	12	5-15P	19 (8.6)	19½ x 19½ x 14½ (48.6 x 48.6 x 37.1)
7217260	16½ x 13½ (41.9 x 34.3)	11 (10.4)	120V	1450	12	5-15P	19 (8.6)	19½ x 19½ x 14½ (48.6 x 48.6 x 37.1)
7217710	16½ x 13½ (41.9 x 34.3)	7 (6.6)	120V	1450	12	5-15P	19 (8.6)	19½ x 19½ x 14½ (48.6 x 48.6 x 37.1)
7217735	16½ x 13½ (41.9 x 34.3)	7 (6.6)	120V	1450	12	5-15P	19 (8.6)	19½ x 19½ x 14½ (48.6 x 48.6 x 37.1)
7217750	16½ x 13½ (41.9 x 34.3)	7 (6.6)	120V	1450	12	5-15P	19 (8.6)	19½ x 19½ x 14½ (48.6 x 48.6 x 37.1)
7217755	16½ x 13½ (41.9 x 34.3)	7 (6.6)	120V	1450	12	5-15P	19 (8.6)	19½ x 19½ x 14½ (48.6 x 48.6 x 37.1)
7217760	16½ x 13½ (41.9 x 34.3)	7 (6.6)	120V	1450	12	5-15P	19 (8.6)	19½ x 19½ x 14½ (48.6 x 48.6 x 37.1)

Receptacle



www.vollrathco.com

The Vollrath Company, L.L.C.
 1236 North 18th Street
 Sheboygan, WI 53081-3201 U.S.A.
 Customer Service: 800.628.0830
 Canada Customer Service: 800.695.8560
 Main Fax: 800.752.5620 or 920.459.6573

Technical Services: 800.628.0832
 Technical Services Fax: 920.459.5462