

Heated Pellet/Plate Dispenser

DUO-THERM™ Self-Leveling

Features

- Duo-Therm™ Model 7500 has two heated compartments, one for plates and one for pellets, which are independently controlled and have an automatic hi-temp shut-off.
- Accommodates dishes and pellets ranging from 7" to 10-1/4"
- Dispenser cabinet is insulated to support heat retention.
- Self-leveling, field adjustable dispensers are removable for convenient cleaning and adjustment.
- Maneuvers easily on 4 each, 5" Lake-Glide® casters - all swivel, 2 with brakes.
- Push handle for easy mobility.



Model 7500



Removable dispensing unit



Specifications

CABINET: Exterior shall be constructed on 18-gauge 300 Series stainless steel. Inner wall of cabinet shall be constructed of .063 high-strength aluminum. All sides and top of cabinet shall be insulated with fiberglass for heat retention and energy efficiency. Cabinet lids shall feature hat channel design that does not require a gasket. Unit shall feature two separately controlled interior compartments, each with a self-leveling dispenser. Each compartment shall have a dedicated heating system featuring separate heater element, forced air fan, thermostatic control, and on/off switch. The heating system shall be thermostatically controlled, using forced air with a 3200-watt element to heat each cabinet interior compartment. The plate compartment shall have a thermostatically controlled temperature range of 135°-175°F. The pellet compartment shall have a thermostatically controlled temperature range of 250°-290°F. Unit shall be 208/220-240 VAC, 60 Hz and shall feature a 6' long 20 amp power cord with NEMA 6-20P plug. Cabinet shall be mounted on four 5" extra-load swivel casters (two with brake) with non-marking cushion tread wheel. Unit shall be UL and NSF listed.

Specifications continued on back.

Lakeside Manufacturing, Inc.
4900 West Electric Avenue • West Milwaukee, WI 53217 U.S.A.
800-558-8565 • 414-481-3900 • Fax 414-481-9313 • www.eLakeside.com



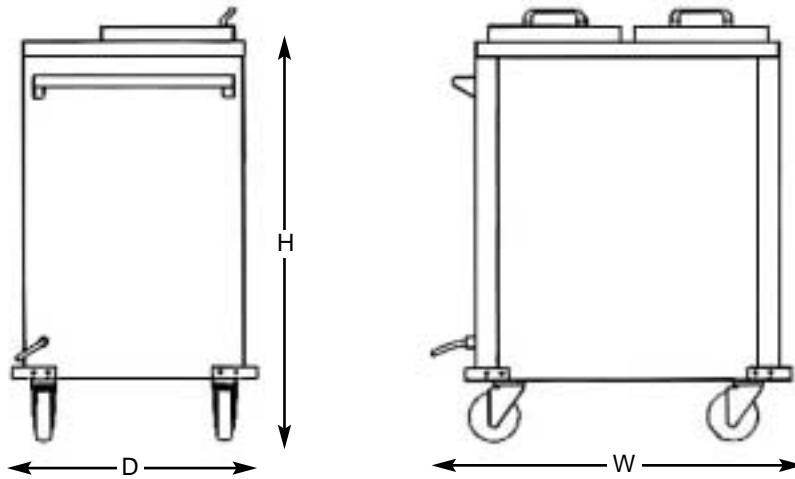
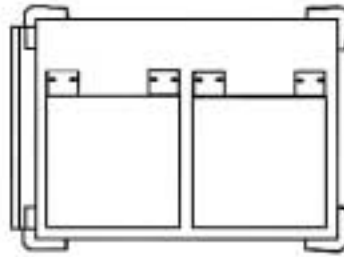
Heated Pellet Dispenser

DUO-THERM™ Self-Leveling

Specifications Continued

DISPENSERS: Self-leveling dispensers shall be constructed of stainless steel with self-lubricating bearings that ride over vertical guide rods to prevent carriage binding. Self-leveling tension shall be adjusted without tools by hooking or unhooking tension springs from the carriage. Carriage shall have a vertical movement of 24", and shall accommodate a 27" high stack of pellet bases or dishes that are between 7" and 10-1/4" in diameter. Dispensers shall feature lift-out handles for easy removal from cabinet for cleaning and adjustment.

Top View



AutoCAD drawings available through KCL CADalog

Dimensions

Model	Stack Height	Overall Size			Lake-Glide® Casters		Case Weight		Case Cube		Electrical Specifications		
		W	D	H	Type	Dia.	Lbs.	(Kg)	Cu. ft.	(m ³)	Watt	Amp	Volt
7500 Duo-Therm	27" 2 Stack	36" (914)	24" (610)	42-3/4" (1086)	4 swivel, 2 with brakes	5" (127)	285	(129.3)	32.7	(.93)	3200	17.2	208/220-240 60 Hz

Measurements in () denote metric millimeters, unless otherwise specified.



Lakeside Manufacturing, Inc.

4900 West Electric Avenue • West Milwaukee, WI 53217 U.S.A.
800-558-8565 • 414-481-3900 • Fax 414-481-9313 • www.eLakeside.com