

Heated Pellet Dispenser

Self-Leveling



Model 7502

Efficient Heating for High Volume Applications

- Heated compartment has automatic hi-temp shut-off.
- Accommodates pellets ranging from 7" to 10-1/4"
- Dispenser cabinet is insulated to conserve energy.
- Self-leveling dispensers are removable for convenient cleaning and adjustment.
- Maneuvers easily on four each, 5" Lake-Glide[®] casters - all swivel, 2 with brake.
- Push handle for easy mobility.



Removable dispensing unit



Specifications

CABINET: Exterior shall be constructed on 18-gauge 300 Series stainless steel. Inner wall of cabinet shall be constructed of .063 high-strength aluminum. All sides and top of cabinet shall be insulated with fiberglass for heat retention and energy efficiency. Cabinet lids shall feature hat channel design that does not require a gasket. The heating system shall be thermostatically controlled, using forced air with a 3200-watt element to heat the cabinet interior compartment. Unit shall be 208/220 VAC, 60 Hz and shall feature a 6' (1829 mm) long 20 amp power cord with NEMA 6-20P plug. Cabinet shall be mounted on four 5" extra-load swivel casters (two with brake) with non-marking cushion tread wheel. Unit shall be UL and NSF listed.

DISPENSERS: Self-leveling dispensers shall be constructed of stainless steel with self-lubricating bearings that ride over vertical guide rods to prevent carriage binding. Self-leveling tension shall be adjusted without tools by hooking or unhooking tension springs from the carriage. Carriage shall have a vertical movement of 24" (610 mm), and shall accommodate a 27" (686 mm) high stack of pellet bases that are between 7" and 10-1/4" in diameter. Dispensers shall feature lift-out handles for easy removal from cabinet for cleaning and adjustment.



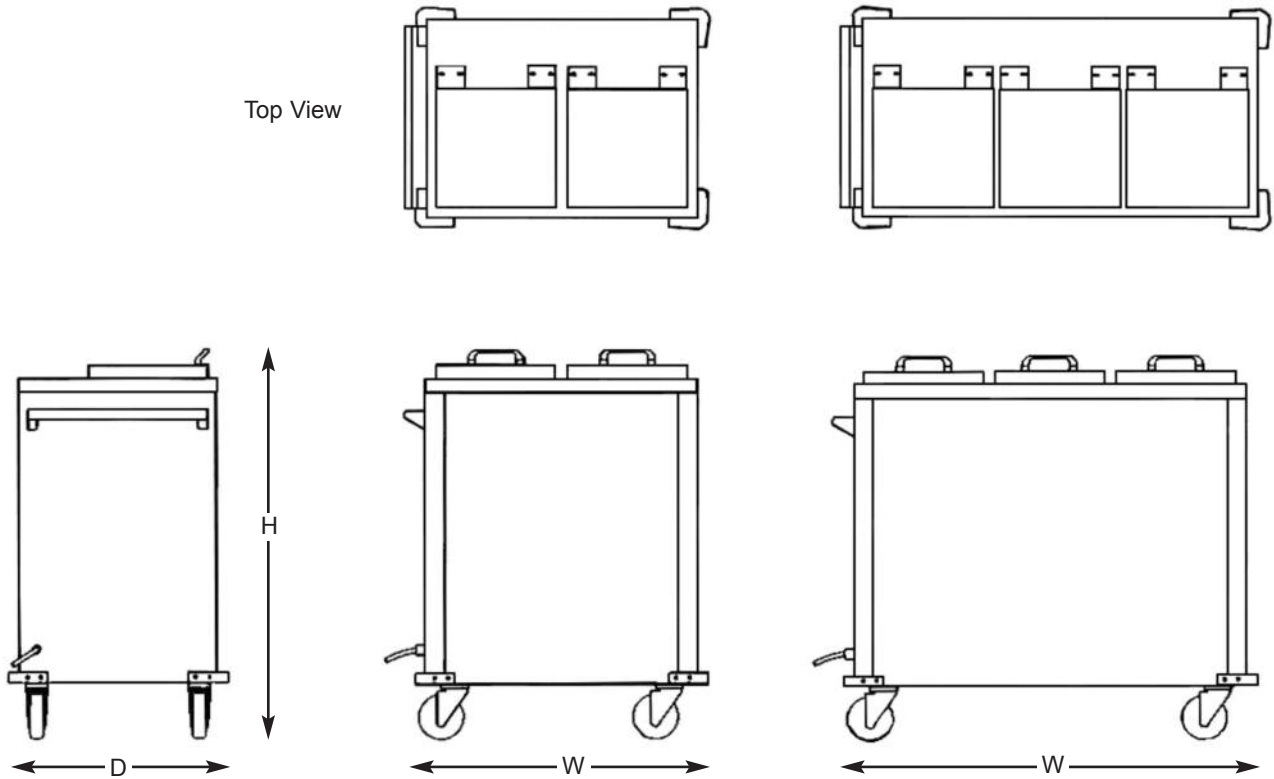
Lakeside Manufacturing, Inc.

4900 West Electric Avenue • West Milwaukee, WI 53219 U.S.A.
800-558-8565 • 414-902-6400 • Fax 414-902-6446 • www.eLakeside.com

Heated Pellet Dispenser

Self-Leveling

Top View



AutoCAD drawings available through KCL CADalog

Dimensions

Model	Overall Size			Lake-Glide® Casters		Case Weight		Electrical Specifications		
	W	D	H	Type	Dia.	Lbs.	(Kg)	Watt	Amp	Volt
7501	33-3/8" (849)	23-3/4" (603)	42-3/4" (1086)	4 swivel, 2 w/brake	5" (127)	260	117.9	3200	16.3	208/220-240 60 Hz
7502	43-7/16" (1103)	23-3/4" (603)	42-3/4" (1086)	4 swivel, 2 w/brake	5" (127)	300	136.1	3200	16.3	208/220-240 60 Hz

Measurements in () denote metric millimeters, unless otherwise specified.



Lakeside Manufacturing, Inc.

4900 West Electric Avenue • West Milwaukee, WI 53219 U.S.A.

800-558-8565 • 414-902-6400 • Fax 414-902-6446 • www.eLakeside.com