

Deep Shelf Utility Carts

Heavy Duty 700 lb. Capacity - Stainless Steel

Spec. # _____

A/A # _____

Models 527, 557, 727, 757



Model 727



2 1/2" High Shelf Edges

Secure, Rugged Transport For Heavy Duty Loads

- 2 1/2" deep shelves hold items securely in place
- Angled "U" shaped steel frame provides extra strength needed for heavy duty jobs
- 700 lb. capacity is ideal for continuous moving of heavy loads over various floor surfaces.
- Rugged 18 gauge reinforced stainless steel shelves are easy to clean/sanitize
- Electronically welded for added strength
- Leg and handle bumpers protect walls and furniture
- NSF listed models available

Casters/Wheels

- 5" swivel and 8" rigid, cushion tread

Specifications:

Unit shall be of fully welded stainless steel construction. Legs and frame shall be of U-frame design, eliminating the need for corner reinforcements. Leg/frame shall be of .120 x 1" x 1" angle stainless steel. Shelves shall be of 18-gauge stainless steel and shall be welded to vertical leg frames. Shelves shall be double hemmed on all four edges for extra rigidity. Both shelves shall have 2 1/2" upturned edges on all four sides to prevent items from rolling off. Unit shall have two each 5" diameter extra-load swivel casters with 1-1/4" wide non-marking polyurethane wheels, and two each 8" diameter extra-load wheels mounted to a fixed axle. Swivel casters shall be plate type and shall be bolted to an 18-gauge 5" wide stainless steel cross member with a galvanized reinforcement. Unit shall have push handle made of 18 gauge 1" O.D. stainless steel tubing. Handle mounting brackets shall be welded to vertical leg frame. Unit shall have two each bumpers mounted to handle ends and two each 6" vertical bumpers riveted to front legs.

Lakeside Manufacturing, Inc.

4900 West Electric Avenue • West Milwaukee, WI 53219 U.S.A.

800-558-8565 • 414-902-6400 • Fax 414-902-6446 • info@eLakeside.com • www.eLakesideFoodservice.com

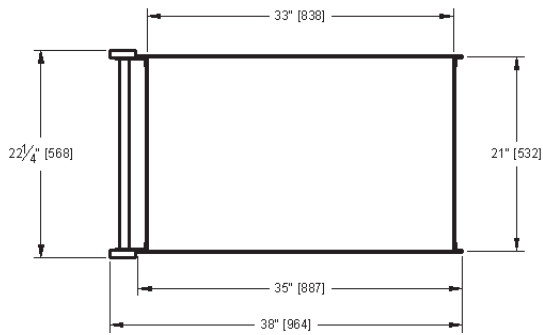
Models
527, 557
727, 757

Deep Shelf Utility Carts

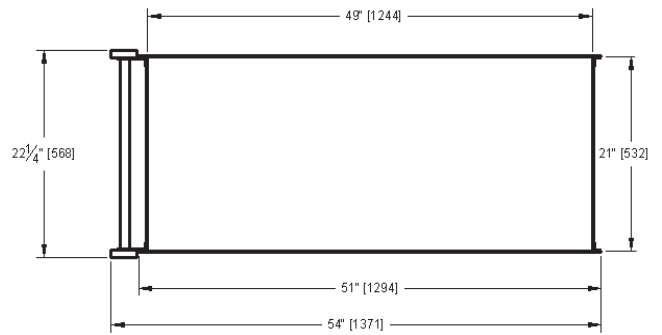
Heavy Duty 700 lb. Capacity - Stainless Steel

Spec. #

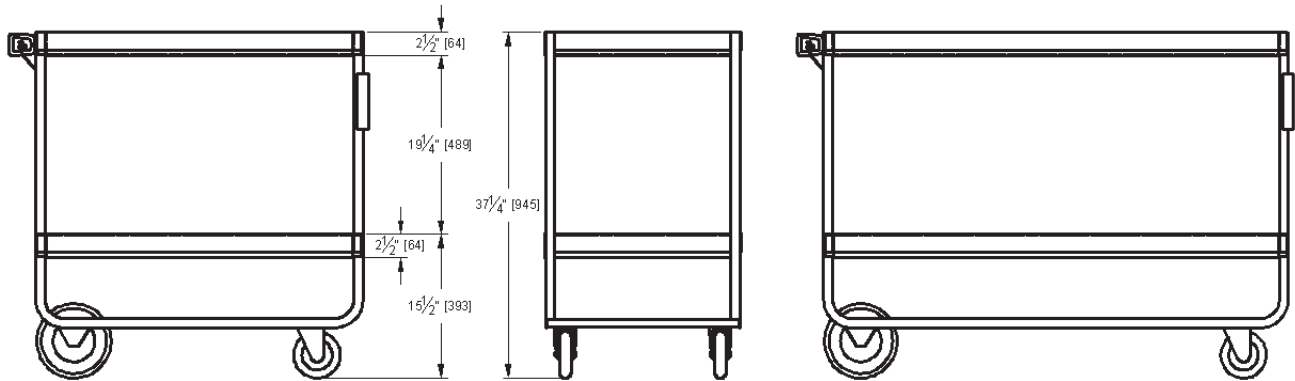
AIA #



Model 727/527



Model 757/557



Product Information:

Model	NSF Model	Overall Size			Shelf Size		Shelf Clearance	Casters/Wheels	Case Wt. Lbs. (Kg)
		W	L	H	W	L			
727	527	22 1/4" (565)	38" 964	37 1/4" 945	21" (532)	33" 838	19 1/4" (489)	2 ea. Fixed 8" 2 ea. Swivel 5"	64 (29.0)
757	557	22 1/4" (565)	54" 1371	37 1/4" 945	21" (532)	49" 1245	19 1/4" (489)	2 ea. Fixed 8" 2 ea. Swivel 5"	87 (39.4)

Dimensions in () denote metric millimeters, unless otherwise noted.

Option:

- All 5" swivel casters



Lakeside Manufacturing, Inc.
4900 West Electric Avenue • West Milwaukee, WI 53219 U.S.A.
800-558-8565 • 414-902-6400 • Fax 414-902-6446
info@eLakeside.com • www.eLakesideFoodservice.com