

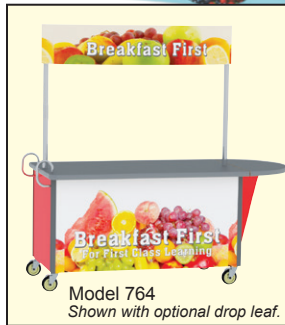
# Breakfast / Snack Carts

## Stainless Steel

Models 764, 768



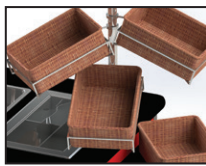
Model 768  
Shown with optional hot and cold wells, and menu sign.



Model 764  
Shown with optional drop leaf.



Optional warming/ chilled/utility drawers



Optional height-adjustable wicker baskets mount to support posts.

### Add Mobility And Flexibility To Condiment Serving

#### Benefits

- Provide nutritious breakfast and snacks in various locations
- Rolls easily to serving location
- Colorful graphics attract students

#### Features

- Stainless steel welded cabinet with laminate top
- Variable-height overhead graphic banner
- Choice of standard or custom laminate finishes and graphics
- 33" high cash register shelf (Model 768)
- Ergonomic vertical push handles
- 18" drop leaf with swing-out support (optional on Model 764)
- Spacious interior storage compartment

#### Casters

- All-swivel 5" cushion tread, 2 with brakes

#### Standard Front And Top Panel Graphics Choices

<p>Breakfast First For First Class Learning</p>	<p>Write Your Own Custom Message! Marker Board</p>	<p>Breakfast First</p>
<p>Snack Shack</p>	<p>Lunch' n Munch</p>	<p>Snack Shack</p>

Custom graphics available.

#### Specifications:

Shall be Lakeside model \_\_\_\_\_ (764, 768) and shall have a 20-gauge stainless steel base cabinet with laminate exterior and top and stainless steel interior compartment with 18-gauge floor for ease of cleaning and sanitation. Unit shall feature variable-height overhead panel mounted on 1½" diameter stainless steel support posts to accept merchandising graphics. Panel shall be 12" H x 65" W (39" W on #768). Cart shall have 4 ea. 5" cushion tread casters, all-swivel, 2 ea. with brake. Casters shall be mounted to a 18-gauge stainless steel dolly for extra strength.

**Model 768:** Shall have dual-height top to accommodate cash register and 18" rounded dropleaf (33" height) with swing-out support.

Spec. #

A/A #

Lakeside Manufacturing, Inc.

4900 West Electric Avenue • West Milwaukee, WI 53219 U.S.A.

800-558-8565 • 414-902-6400 • Fax 414-902-6446 • info@eLakeside.com • www.eLakesideFoodservice.com

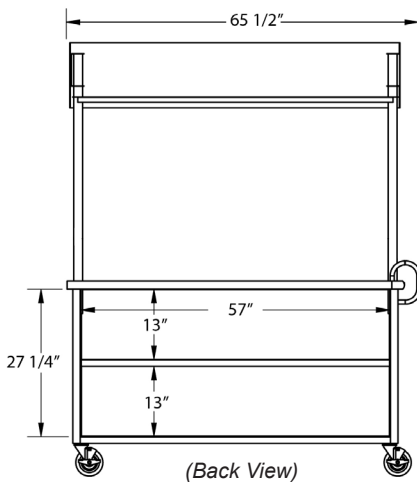
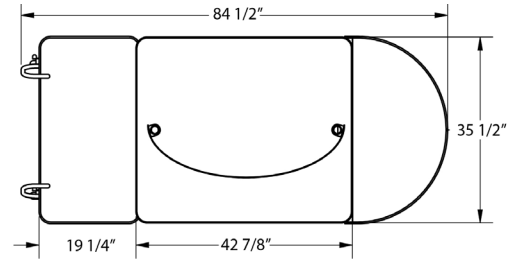
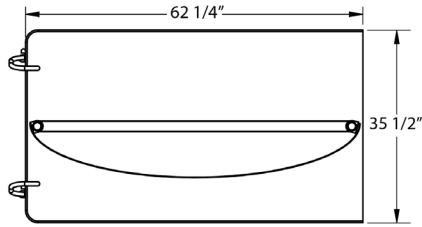
# Breakfast / Snack Cart

Models 764, 768

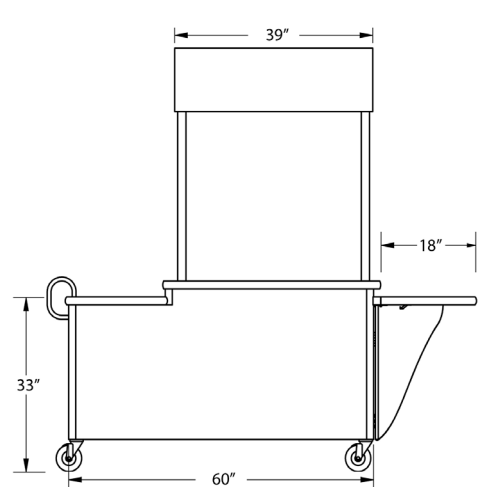
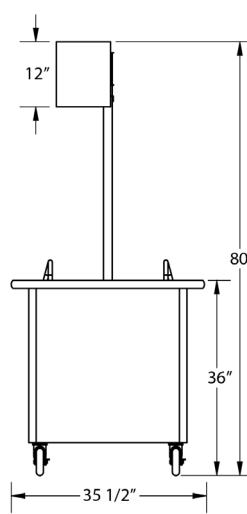
Stainless Steel

Spec. #

AIA #



Model 764



Model 768

## Model Information:

Model	Description	Counter Height		Top Size		Overall Size			Case Wt. Lbs. (Kg)
				W	L <sup>1</sup>	W	L <sup>2</sup>	H <sup>3</sup>	
764	Flat Top	36" (927)		35½"	62¼"	35½"	65½"	80"	239 (108.4)
768	2-Level Top w/Drop Leaf	Top	36" (927)	35½"	62¼"	35½"	84½"	80"	260 (117.9)
		Cashier Shf.	33" (832)	(902)	(1581)	(902)	(2146)	(2032)	

Dimensions in ( ) denote metric millimeters, unless otherwise noted. Please specify laminate choice.

<sup>1</sup>With leaf down. <sup>2</sup>With leaf up (#768). <sup>3</sup>With support posts fully extended.

## Available Laminate Finishes



Walnut     Gray Sand     Light Maple     Victorian Cherry



Beige Suede     Hard Rock Maple     Red Maple     Red     Green     Black     Royal Blue     Purple

## Options:

- Overhead LED light strip (120V)
- Battery pack for LED light strip
- 18" drop leaf (Model 764)
- Warming drawer(s) \_\_\_
- Eutectic chilled drawer(s) \_\_\_
- Custom graphics
- Heated well(s) \_\_\_
- Eutectic chilled well(s) \_\_\_
- Custom laminate
- Utility drawer(s) \_\_\_
- Menu sign



MOVING FOODSERVICE FORWARD™

Lakeside Manufacturing, Inc.

4900 West Electric Avenue • West Milwaukee, WI 53219 U.S.A.

800-558-8565 • 414-902-6400 • Fax 414-902-6446

info@eLakeside.com • www.eLakesideFoodservice.com