



Job _____ Item No. _____

Star® Super JetStar Popcorn Poppers

□ 86S □ 86SS



FEATURES

- Combine Star's Super JetStar 8oz. popcorn poppers and Chief's Choice quality popcorn
- Requires only 19-1/2" of counter space to fit almost any where.
- Stainless steel style fits any decor and is easy to clean.
- Pops 170 one ounce servings per hour of Star's quality Chief's Choice brand popcorn (contact factory for details)
- Nickel plated 8 oz. steel kettle provides maximum popping performance
- Magnetic catch holds one-piece kettle lid up for easy loading and unloading of Chief's Choice popcorn
- Swing up/down kettle design allows easy dispensing of popped corn into the cabinet and is easy to clean
- A 50 watt warming element under stainless steel corn
- Cabinet is constructed of 1/8" thick tempered glass panels with four full length aluminum corner posts for stability and maintenance free operation
- Durable 3/16" thick plexiglas doors and full length aluminum hinges with magnetic catch stands up to constant use
- Clear lexan drop panel provides greater visibility for merchandising popcorn
- Stainless steel old maid drawer allows quick and easy removal of old maids
- Eye level 2 switch control panel :
 - Top Switch engages motor and kettle heat
 - Bottom Switch engages light and corn deck
- A 75 watt display light
- Attractive colorful popcorn graphics makes popper a perfect addition to any foodservice operation
- Optional sneeze guards for self-serve operations
- 120V - plugs in anywhere

DESCRIPTION

The Super JetStar 8oz. popcorn popper is perfect for convenience stores, concessions, recreational facilities and fun centers, restaurants, bars, chains or wherever you want to pop and dispense delicious popcorn.

SPECIFICATIONS

Super Jet Star is constructed of solid extruded aluminum corner posts, 1/8" thick tempered glass panels and two 3/16" thick plexi-glass doors with full length aluminum hinges to stand up to commercial use. Outfitted with 1000 watt, 8oz. capacity nickel plated steel popping kettle with stainless steel exterior shell. A wire cage protects the 75 watt display lamp. A 50 watt warming element under stainless steel corn deck and old maid drawer are standard. Poppers shipped complete with a 6' lead in cord with NEMA 5-15P. A CEE7-7 plug is available for 230V units.

WARRANTY

These units come with a two [2] year warranty for parts and labor.

OPTIONS & ACCESSORIES

- Chief's Choice Popcorn

CERTIFICATIONS



STAR MANUFACTURING INTERNATIONAL INC.

265 Hobson St. • Smithville, TN 37166
Telephone 800 264 7827 • Fax 314 781 5445
www.star-mfg.com

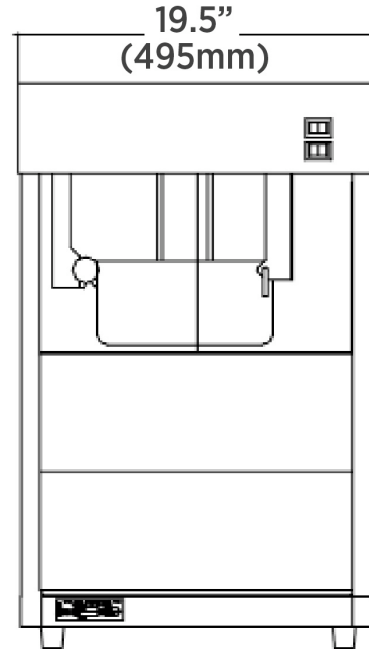
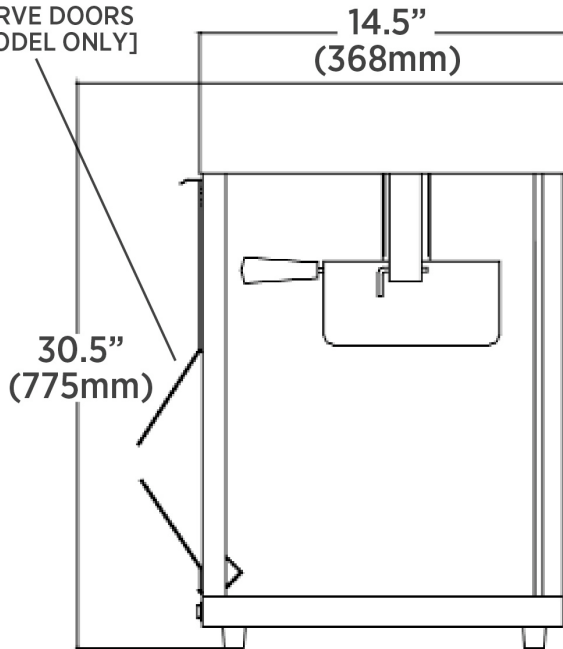
Printed in the U.S.A. • 2M-ZZxxxx • Rev - • 01.2020
Specifications are subject to change without notice
and are not intended for installation purposes.



Star® Super JetStar Popcorn Poppers

□86S □86SS

SELF SERVE DOORS
[86SS MODEL ONLY]



MODEL	SERVINGS PER HOUR	HEIGHT in. (mm)	WIDTH in. (mm)	DEPTH in. (mm)	VOLTS	WATTS	AMPS	NEMA PLUG	APPROX. SHIP WEIGHT	APPROX. INSTALL WEIGHT
86S/86SS	170 - 1 oz	30.5 (775)	19.5 (495)	14.5 (368)	120 230V	1,197 1,100	10.0 4.8	5-15P CEE7/7	65 lb. (29.5 kg)	54 lb. (24.5 kg)



5-15P



CEE7/7

Due to periodic changes in designs, methods, procedures, policies and regulations, the specifications contained in this sheet are subject to change without notice. While Star Manufacturing exercises good faith efforts to provide information that is accurate, we are not responsible for errors or omissions in information provided or conclusions reached as a result of using the specifications. By using the information provided, the user assumes all risks in connection with such use.



STAR MANUFACTURING INTERNATIONAL INC.

265 Hobson St. • Smithville, TN 37166
Telephone 800 264 7827 • Fax 314 781 5445
www.star-mfg.com

Printed in the U.S.A. • 2M-ZZxxx • Rev - • 01.2020
Please refer to the owner's manual for information regarding installation or use.