

# Hydration Cart

## Self-Serve Stainless Steel

Models 8713, 8715



Model 8715  
In Victorian Cherry

### Offer Hydrating Beverages And Healthy Snacks To Residents And Visitors

#### Benefits

- Provide healthy beverages and snacks in various locations
- Rolls easily to serving location
- Attractive presentation encourages fluid consumption

#### Features

- Stainless steel welded construction with laminate top and decorative exterior
- Plenty of concealed and open storage
- Choice of standard or custom finishes and graphics
- Top rails hold objects securely
- Extended sturdy HDPE base
- Rolled easily against a wall for convenient self-service

#### Casters

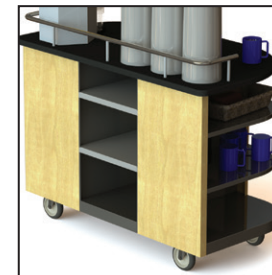
- All-swivel 5" cushion tread, 2 with brakes



Model 8713  
In Hard Rock Maple



Optional recessed front compartment



Reverse side with optional fixed stainless steel shelves

### Specifications:

Unit shall be Lakeside model \_\_\_\_\_ (8713, 8715) to be of welded stainless steel construction. Unit base shall be of 1" thick high-density polyethylene and shall extend to become a perimeter bumper. Top shall be 1" black laminate with a 4" stainless steel rail across the back length and round back corners. Front corners shall be open and feature three (six on model 8715) open storage compartments. Front and back panels shall be available in a choice of standard or custom laminate finishes. Unit back shall have access to enclosed stainless steel storage compartment. Cart shall have 4 each, 5" (127mm) all-swivel Lake-Glide® cushion tread casters, two with brakes. Casters shall be fastened to a galvanized steel dolly for extra strength.

Spec. #

AIA #

Lakeside Manufacturing, Inc.

4900 West Electric Avenue • West Milwaukee, WI 53219 U.S.A.

800-558-8565 • 414-902-6400 • Fax 414-902-6446 • info@eLakeside.com • www.eLakesideFoodservice.com

# Hydration Cart

## Self-Serve Stainless Steel

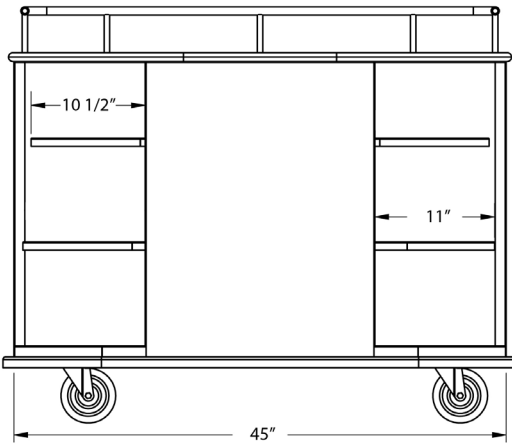
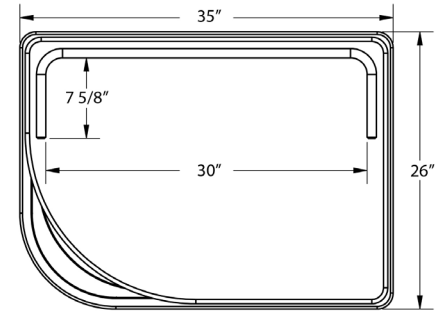
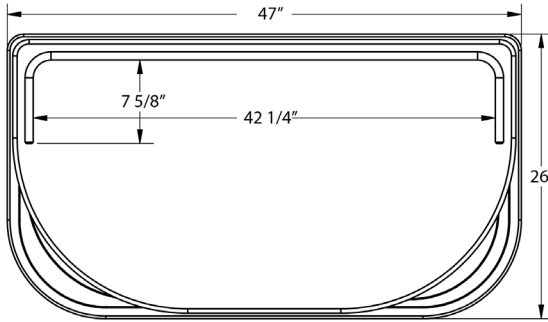
### Models

8713

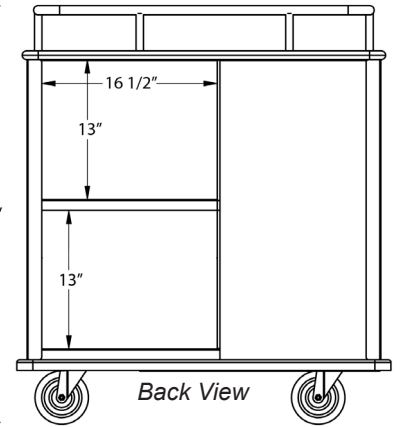
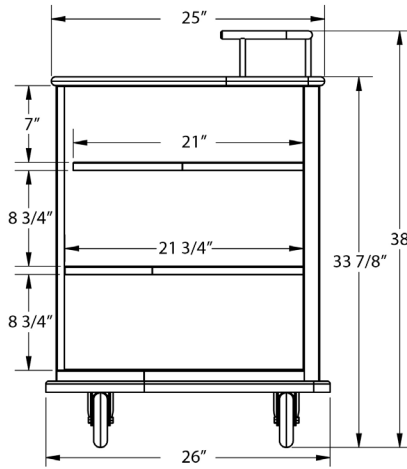
8715

Spec. #

AIA #



Model 8715



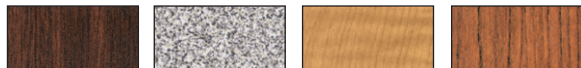
Model 8713

### Model Information:

Model	Description	Top Height	Corner Compartments			Overall Size			Case Wt. Lbs. (Kg)
			W	D	L	W	D	H	
8713	Compact, 3 Ea. Corner Shelves	33 <sup>7</sup> / <sub>8</sub> " (860)	13 <sup>1</sup> / <sub>2</sub> " (343)	27 <sup>1</sup> / <sub>2</sub> " (572)	8 <sup>3</sup> / <sub>4</sub> " (222)	35" (889)	26" (660)	38" (965)	108 (50)
8715	Full Size, 6 Ea. Corner Shelves	33 <sup>7</sup> / <sub>8</sub> " (860)	13 <sup>1</sup> / <sub>2</sub> " (343)	27 <sup>1</sup> / <sub>2</sub> " (572)	8 <sup>3</sup> / <sub>4</sub> " (222)	47" (1194)	26" (660)	38" (965)	130 (59)

Dimensions in ( ) denote metric millimeters, unless otherwise noted. Please specify laminate choice.

### Available Laminate Finishes



Walnut    Gray Sand    Light Maple    Victorian Cherry



Beige Suede    Hard Rock Maple    Red Maple    Red    Green    Black    Royal Blue    Purple

### Options:

- Hinged door (reverse side)
- Stainless steel shelf (shelves)
- Custom laminate finish \_\_\_\_\_
- Recessed front compartment



MOVING FOODSERVICE FORWARD™

Lakeside Manufacturing, Inc.

4900 West Electric Avenue • West Milwaukee, WI 53219 U.S.A.

800-558-8565 • 414-902-6400 • Fax 414-902-6446

info@eLakeside.com • www.eLakesideFoodservice.com