

Hydration Cart

Self-Serve Stainless Steel

Models 8713, 8715



Model 8715
In Victorian Cherry

Offer Hydrating Beverages And Healthy Snacks To Residents And Visitors

Benefits

- Provide healthy beverages and snacks in various locations
- Rolls easily to serving location
- Attractive presentation encourages fluid consumption

Features

- Stainless steel welded construction with laminate top and decorative exterior
- Plenty of concealed and open storage
- Choice of standard or custom finishes and graphics
- Top rails hold objects securely
- Extended sturdy HDPE base
- Rolled easily against a wall for convenient self-service

Casters

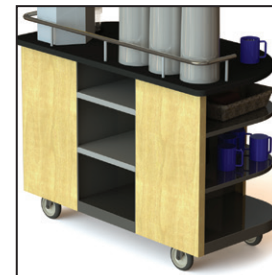
- All-swivel 5" cushion tread, 2 with brakes



Model 8713
In Hard Rock Maple



Optional recessed front compartment



Reverse side with optional fixed stainless steel shelves

Specifications:

Unit shall be Lakeside model _____ (8713, 8715) to be of welded stainless steel construction. Unit base shall be of 1" thick high-density polyethylene and shall extend to become a perimeter bumper. Top shall be 1" black laminate with a 4" stainless steel rail across the back length and round back corners. Front corners shall be open and feature three (six on model 8715) open storage compartments. Front and back panels shall be available in a choice of standard or custom laminate finishes. Unit back shall have access to enclosed stainless steel storage compartment. Cart shall have 4 each, 5" (127mm) all-swivel Lake-Glide® cushion tread casters, two with brakes. Casters shall be fastened to a galvanized steel dolly for extra strength.

Spec. # _____

AIA # _____

Lakeside Manufacturing, Inc.

4900 West Electric Avenue • West Milwaukee, WI 53219 U.S.A.

800-558-8565 • 414-902-6400 • Fax 414-902-6446 • info@eLakeside.com • www.eLakesideFoodservice.com

Hydration Cart

Self-Serve Stainless Steel

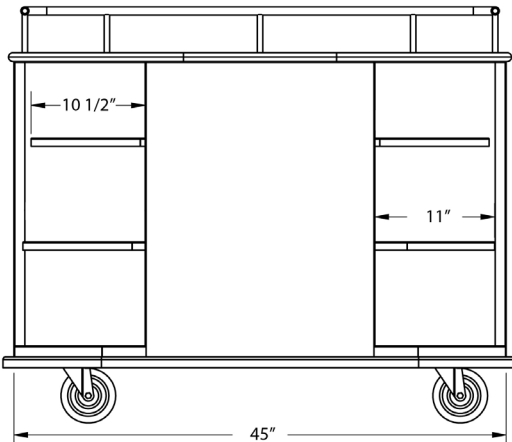
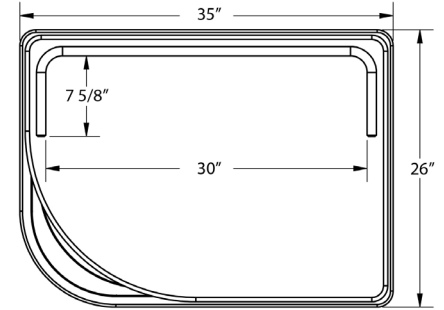
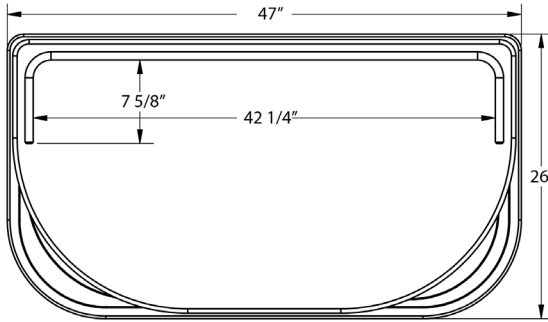
Models

8713

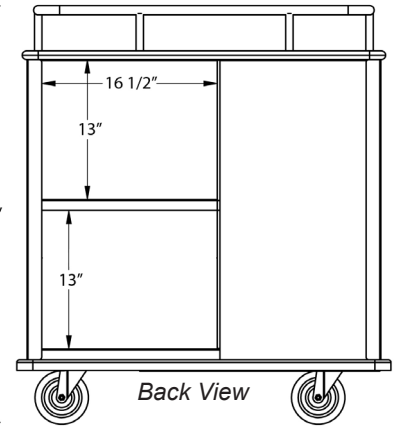
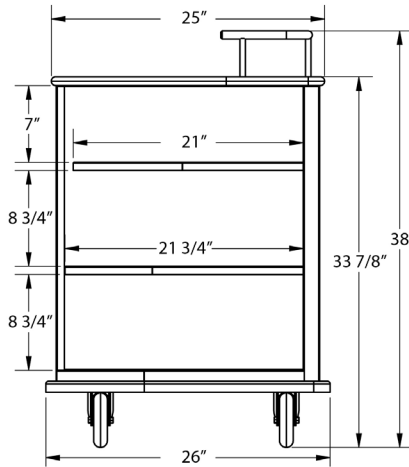
8715

Spec. #

AIA #



Model 8715



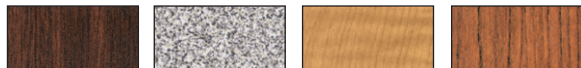
Model 8713

Model Information:

Model	Description	Top Height	Corner Compartments			Overall Size			Case Wt. Lbs. (Kg)
			W	D	L	W	D	H	
8713	Compact, 3 Ea. Corner Shelves	33 ⁷ / ₈ " (860)	13 ¹ / ₂ " (343)	27 ¹ / ₂ " (572)	8 ³ / ₄ " (222)	35" (889)	26" (660)	38" (965)	108 (50)
8715	Full Size, 6 Ea. Corner Shelves	33 ⁷ / ₈ " (860)	13 ¹ / ₂ " (343)	27 ¹ / ₂ " (572)	8 ³ / ₄ " (222)	47" (1194)	26" (660)	38" (965)	130 (59)

Dimensions in () denote metric millimeters, unless otherwise noted. Please specify laminate choice.

Available Laminate Finishes



Walnut Gray Sand Light Maple Victorian Cherry



Beige Suede Hard Rock Maple Red Maple Red Green Black Royal Blue Purple

Options:

- Hinged door (reverse side)
- Stainless steel shelf (shelves)
- Custom laminate finish _____
- Recessed front compartment



MOVING FOODSERVICE FORWARD™

Lakeside Manufacturing, Inc.

4900 West Electric Avenue • West Milwaukee, WI 53219 U.S.A.

800-558-8565 • 414-902-6400 • Fax 414-902-6446

info@eLakeside.com • www.eLakesideFoodservice.com