

# Stack up extra space.

## WireWise® Organizers & Stations



Save countertop space with tiered Organizers that hold (3) each of:

- 1L syrup bottles
- 1 gal jugs
- 64 oz square jugs
- Packaged snack bags

Add reusable, portion-control pumps to bottles or jugs for a cost-effective and environmentally friendly alternative to disposable pumps (sold separately)

Attractive wire frame is lightweight yet built to last

Non-skid, removable rubber feet

Stations include (3) each of:

- 3½ qt jars and pumps
- 41 oz jars, clear lids and serving spoons

### ORGANIZERS

(details on p 2)



88652    88654    88656    88662

### STATIONS

(details on p 3 & 4)



87907    87908    88711



### FAST FACTS

- Neatly tier/arrange bottles, jugs, jars or packaged food on a lightweight, durable frame
- Save space and enhance your operation's efficiency

### APPLICATIONS

- Maximize counter space in guest and operator areas
- Holds (3) common bottles, jugs or jars depending on model chosen

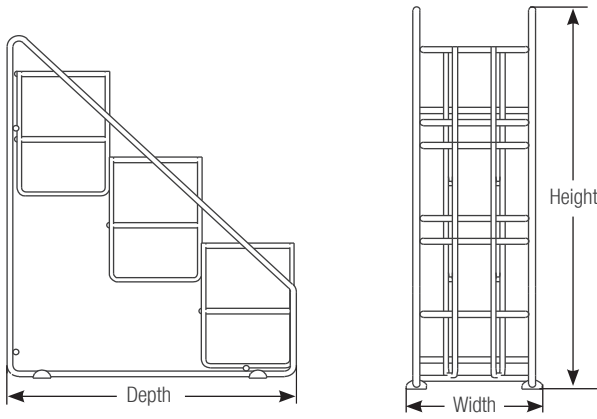
# More satisfaction in way less space.

## WireWise® Organizers

Model WW

### SPECIFIER STATEMENT

**88652 | 88654 | 88656 | 88662:** Server Products Model WW WireWise® Organizers holds (3) common bottles, jugs or packages (sold separately) depending on model chosen. Wire-frame design is powder coated, and include (4) non-skid rubber feet. Reusable, portion-control pumps shown are sold separately. Two-year warranty. Ships FOB Richfield, WI 53076.



order quantity	model/item	description	holds/capacity	dimensions (H x W x D)	weight
<input type="checkbox"/>	WW-3, 1L 88652	bottle organizer up to 1 L	(3) 1 L bottles	15 11/16" x 5" x 12 1/4" 39.8 x 12.7 x 31.1 cm	4 lb (1.8 kg)
<input type="checkbox"/>	WW-3, 1 gal 88654	1 gal jug organizer	(3) 1 gal jugs	16 7/16" x 6 7/8" x 19 3/4" 41.8 x 17.5 x 50.2 cm	5 lb (2.3 kg)
<input type="checkbox"/>	WW-3, 64 oz 88656	64 oz square jug organizer	(3) 64 oz jugs	15 3/8" x 5 5/8" x 16 1/2" 39.1 x 14.3 x 41.9 cm	5 lb (2.3 kg)
<input type="checkbox"/>	WW-3, Chip 88662	snack bag organizer	(12) snack size packages	14 3/16" x 6 7/8" x 21 3/4" 36 x 17.5 x 55.2 cm	5 lb (2.3 kg)

### RELATED ITEMS



#### 88716 Link Kit

Clip two or more organizers together to form one. Each kit comes with 4 clips.



#### Eco Pump

Save money and resources with durable, reusable Eco™ Pumps.

# More satisfaction in way less space.

## WireWise® Stations with Stainless Steel Pumps

Model WW

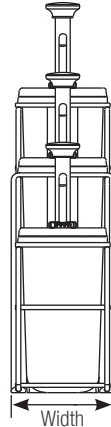
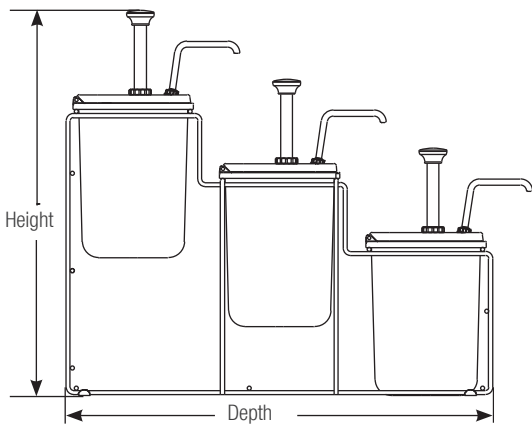
### SPECIFIER STATEMENT

**87907 | 87908:** Server Products Model WW WireWise® Stations feature powder-coated wire-frame design. Each includes (3) 3 ½ qt (3.3 L) black fountain jars and (3) FP-V Stainless Steel Syrup Pumps or (3) CP-F Stainless Steel Condiment Pumps to manage food costs and flavor. Maximum 1 ¼ oz (37 mL) portion can be reduced in 1/8 oz (3.7 mL) increments. Pump knob can be colored and engraved to label contents; black is standard.



**DISPENSES**

- THIN**  
fountain syrups • oils • hot sauce
- THICK**  
ketchup • mustard • mayonnaise • bbq
- THICKER**  
tartar sauce • crafted sauces



order quantity	dispenses*	model/item	description	holds/capacity	dimensions (H x W x D)	weight
<input type="checkbox"/>		WW-3 87907	jar & syrup pump station	(3) 3 ½ qt fountain (3) 3.3 L	26 ½" x 5 ¼" x 23 ¾" 67.3 x 13.3 x 60.2 cm	15 lb (6.8 kg)
<input type="checkbox"/>		WW-3 87908	jar & condiment pump station	(3) 3 ½ qt fountain (3) 3.3 L	26 ½" x 5 ¼" x 24" 67.3 x 13.3 x 70 cm	15 lb (6.8 kg)
<input type="checkbox"/>		WW-3 87909	racking only	(3) 3 ½ qt fountain (3) 3.3 L	26 ½" x 5 ¼" x 23 ¾" 67.3 x 13.3 x 60.2 cm	

### RELATED ITEMS



#### Fountain Jars

Keep additional 3 ½ qt jars on hand for fast change-outs. Orange jars indicate allergens.



#### Colored, Engraved Knobs

Help staff and patrons identify contents. Specify color and text at time of order. Exact shade may vary.

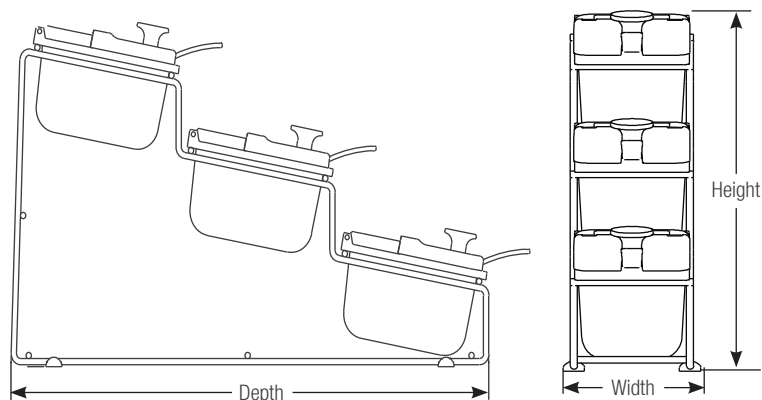
\*Included pump dispenses.

# More satisfaction in way less space.


## WireWise® Stations with 1/9-Size Jars Model WW

### SPECIFIER STATEMENT

**88711:** Server Products Model WW WireWise® includes (3) 1/9-size, black jars, clear, hinged lids and 1/2 oz, 4" ladles. Wire frame is powder coated, and includes (4) non-skid rubber feet. Two-year warranty. Ships FOB Richfield, WI 53076.



88711

order quantity	model/item	description	holds/capacity	dimensions (H x W x D)	weight
	WW-3 1/9 88711	WireWise® Station w/ jars, lids & spoons	(3) 41 oz (3) 1/9-size jars	13 11/16" x 4 13/16" x 22 3/8" 34.8 x 12.2 x 56.8 cm	5 lb (2.3 kg)

### RELATED ITEMS



#### 1/9-Size Jars

Increase your holding capacity with 60 oz jars in black or orange (to indicate allergens). Tier 1 only accepts 41 oz jar.



#### 1/9-Size Jar Lid

Easily monitor fill levels and showcase contents. Hinged lid attaches securely to jar.