



STAINLESS STEEL
MOP SINK CABINET
9-OPC-84



Item #: _____ **Qty #:** _____
Model #: _____
Project #: _____



Cabinet Includes
Floor Mop Sink



FEATURES:

- 16" x 20" x 12" Sink Bowl with drain
- Louvered Side Panels for ventilation
- Single Left-Hinged Door
- Fixed Stainless Steel Utility Shelf
- 2 Mop Holders (1 on each side)

CONSTRUCTION:

- All TIG welded.
- Welded areas blended to match adjacent surfaces and to a satin finish.

MATERIAL:

- 16 gauge type "304" Series Sink Bowl
- 18 gauge type "304" Series Sink Bowl Apron
- 18 gauge type "430" Series Stainless Steel Cabinet

OPTIONAL:

- TA-46** - Door Lock
- K-240** - Service Faucet
- K-94-CAB** - 18 gauge type "304" Stainless Steel Cabinet Upgrade
- Right-hand Door Swing
(please specify when ordering)

Net Weight: 238 lbs.



Customer Service Available To Assist You 1-800-645-3166 8:30 am - 8:00 pm E.S.T.

Email Orders To: customer@advancetabco.com. For Smart Fabrication™ Quotes, Email To: smartfab@advancetabco.com or Fax To: 631-586-2933

NEW YORK
Fax: (631) 242-6900

GEORGIA
Fax: (770) 775-5625

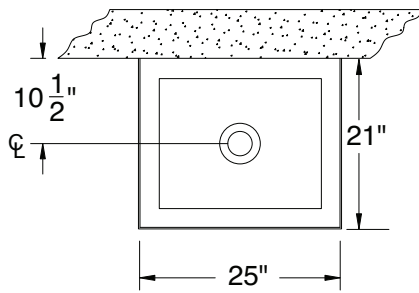
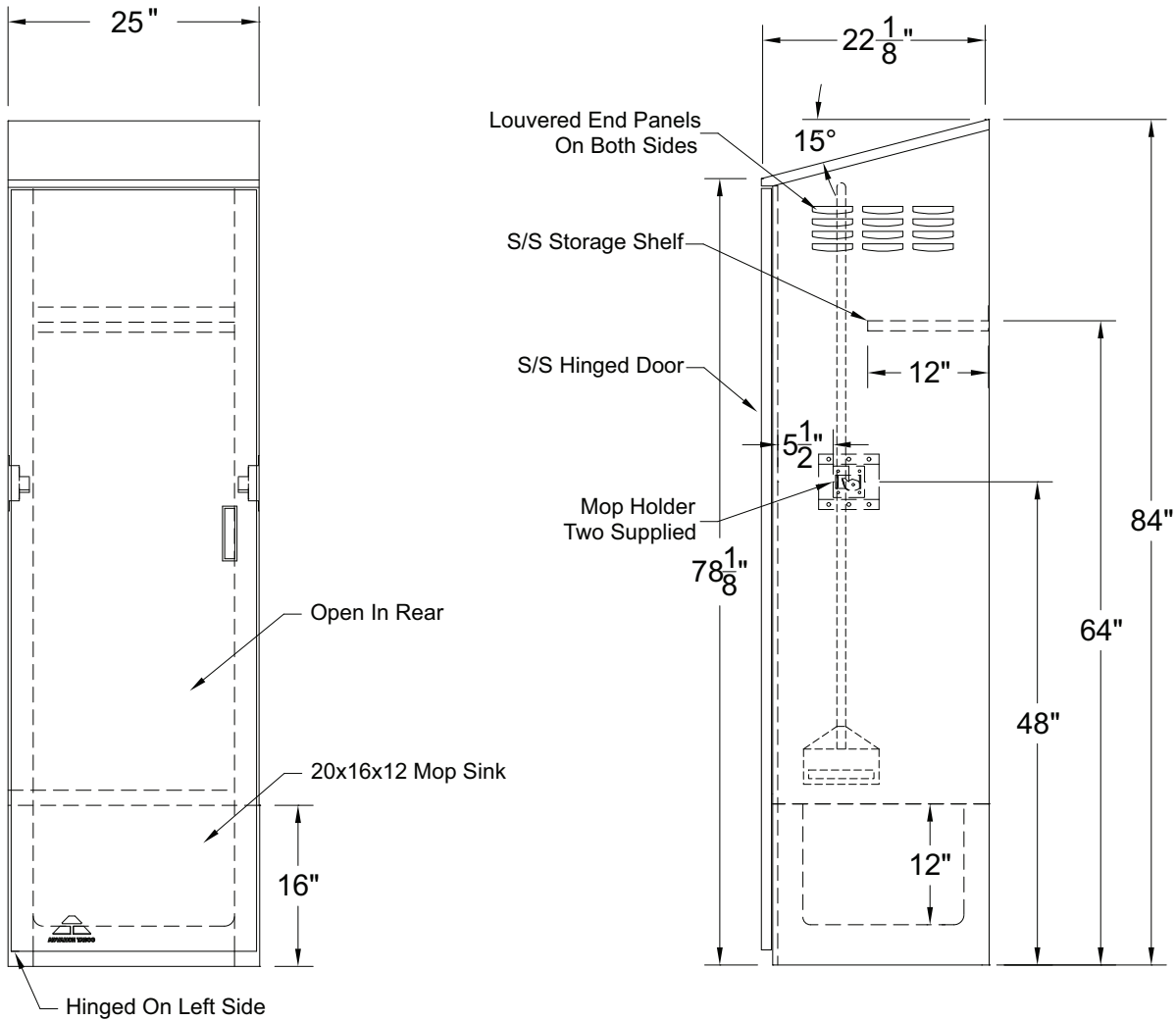
TEXAS
Fax: (972) 932-4795

NEVADA
Fax: (775) 972-1578

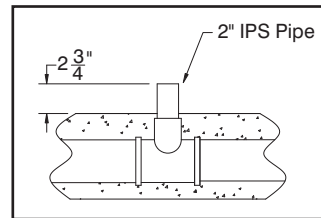
DIMENSIONS and SPECIFICATIONS

ALL DIMENSIONS ARE TYPICAL

TOL ± .500"



Mop Sink Detail



Drain Detail

