

## Tray & Glass Rack Dispensers

### Self-Leveling - Counter Drop-In

Models 973, 976, 977



Model 976

### Provide Convenient Tray & Rack Dispensing In Any Counter Top

- All-welded stainless steel construction for long service life
- Field adjustable without tools to assure proper ergonomic dispensing level
- Corner roller guides assure smooth carriage movement
- Easy-to-clean and sanitize stainless steel



Model 977



Model 973



### Specifications

Shall be of all-welded stainless steel construction and shall accept trays or racks on a stainless steel spring-loaded, self-leveling carriage. Unit shall hang from counter cutout by a 14-gauge top flange, welded to unit frame. Carriage shall feature banks of tension springs on two sides. Spring tension for carriage shall be field-adjustable without tools by hooking or unhooking springs to/from the carriage, providing proper dispensing level. Carriage shall also feature sets of nylon roller guides on all four corners to provide smooth leveling movement inside unit frame. Lower frame shall be of .120 x 1" x 1" stainless steel. Unit shall be NSF listed.

Spec. #

AIA #

Lakeside Manufacturing, Inc.

4900 West Electric Avenue • West Milwaukee, WI 53219 U.S.A.

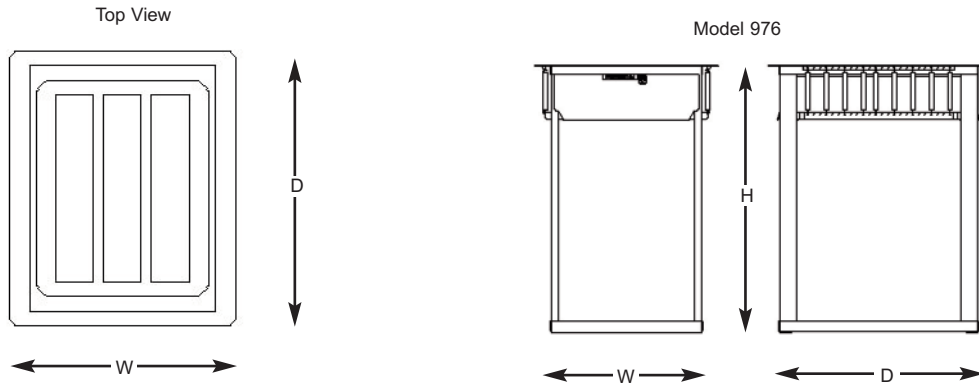
800-558-8565 • 414-902-6400 • Fax 414-902-6446 • info@eLakeside.com • www.eLakesideFoodservice.com

**Models**

973  
976  
977

# Tray & Glass Rack Dispensers

## Self-Leveling - Counter Drop-In



AutoCAD drawings available through KCL CADalog

AIA #

Spec. #

### Dimensions

Model	Maximum Capacities	Overall Size			Counter Cut-out Size	Case Weight	(Kg)
		W	D	H			
973 Open Sides	Racks* 6 ea.	10" x 20" (254 x 508)	14-5/8" (371)	23-1/4" (591)	28-1/4" (718)	13-1/16" x 21-5/16" (332 x 541)	38 (17.2)
976 Open Sides	Trays 150 ea.	14" x 18" (356 x 457)	19-3/8" (492)	23-1/4" (591)	28-1/4" (718)	18" x 21-5/6" (457 x 541)	46 (20.9)
		15" x 20" (381 x 508)					
977 Open Sides	Racks* 14 ea.	10" x 20" (254 x 508)	23-1/4" (591)	25-3/16" (640)	28-1/4" (718)	21-5/16" x 23-13/16" (541 x 605)	47 (21.3)
		20" x 20" (508 x 508)					

\*Rack capacity based on rack size: 4" (120) high rack. Measurements in ( ) denote metric millimeters, unless otherwise specified.



Lakeside Manufacturing, Inc.  
4900 West Electric Avenue • West Milwaukee, WI 53219 U.S.A.  
800-558-8565 • 414-902-6400 • Fax 414-902-6446  
info@eLakeside.com • www.eLakesideFoodservice.com