

Project: _____ Location: _____ Item #: _____ Quantity: _____

Standard Features

- c-CSA-us and NSF certified.
- Double wall kettle interior.
- Bottom kettle is hemispherical designed for superior heat circulation.
- Drip proof, stainless steel clad lid
- Power Switch, thermostat, pilot light, low water light, vacuum/pressure gauge, safety relief valve and low water shut off.
- Removable Elements.
- "Clean lock" to hold kettle in cooking position or 105° for ease of cleaning.
- Water resistant construction.
- 316 Stainless Steel liner.

Optional Features

- Etched gallon markings (ACGM-.)
- Etched litre markings (ACLM-).
- Correctional package

Electrical Options

- 208 VAC, 1 phase, 50/60 Hz.
- 208 VAC, 3 phase, 50/60 Hz.
- 220 VAC, 1 phase, 50/60 Hz.
- 220 VAC, 3 phase, 50/60 Hz.
- 240 VAC, 1 phase, 50/60 Hz.
- 240 VAC, 3 phase, 50/60 Hz.
- 380/220 VAC, 3 phase, 50/60 Hz. 4 wire
- 415/240 VAC, 3 phase, 50/60 Hz. 4 wire
- 480 VAC, 3 phase, 50/60 Hz.

Short Spec

Countertop Kettle shall be AccuTemp's ACEC-xTWseries electric self-generating, electric, countertop kettle. A double wall kettle interior shall form a steam jacket around the lower 2/3 of the kettle. The jacket enclosure shall contain purified water and is factory sealed. The bottom of the kettle shall be of hemispherical design for superior heat circulation. The stainless steel rectangular mounting base shall include the kettle mounting lugs concealed inside the enclosure.

Construction shall be all welded #4 finish stainless steel, type 304. The liner on all models shall be standard 316 for high acid content cooking. The controls shall be integrally mounted and shall include a power switch, solid state thermostat, pilot light, low water light, vacuum/pressure gauge, safety relief valve, and low water shut off.

The kettle shall be ASME Code stamped, National Board Registered, c-CSA-us and NSF certified.

The kettle shall operate in a temperature range of 165°F to 285°F (74°C to 140°C) at a maximum pressure of 50 psi (345 kPa).

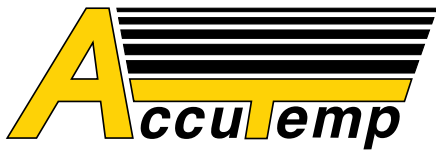
Other Approvals



ACEC-6TW Model Shown

Accessories

- One piece lift off stainless steel cover (ACC-).
- Lift-out perforated stainless steel basket (ACSSB-).
- 21" high floor stand c/w sliding drain pan and stationary drain (ACSD-30).
- 21" high floor stand c/w sliding shelf (ACS-30).
- Graduated measuring strip (ACGMS-).
- Single pantry faucet with swing spout (ACSF-12).
- Double pantry faucet with swing spout (ACDF-12).
- Pour lip strainer (ACTKS-).



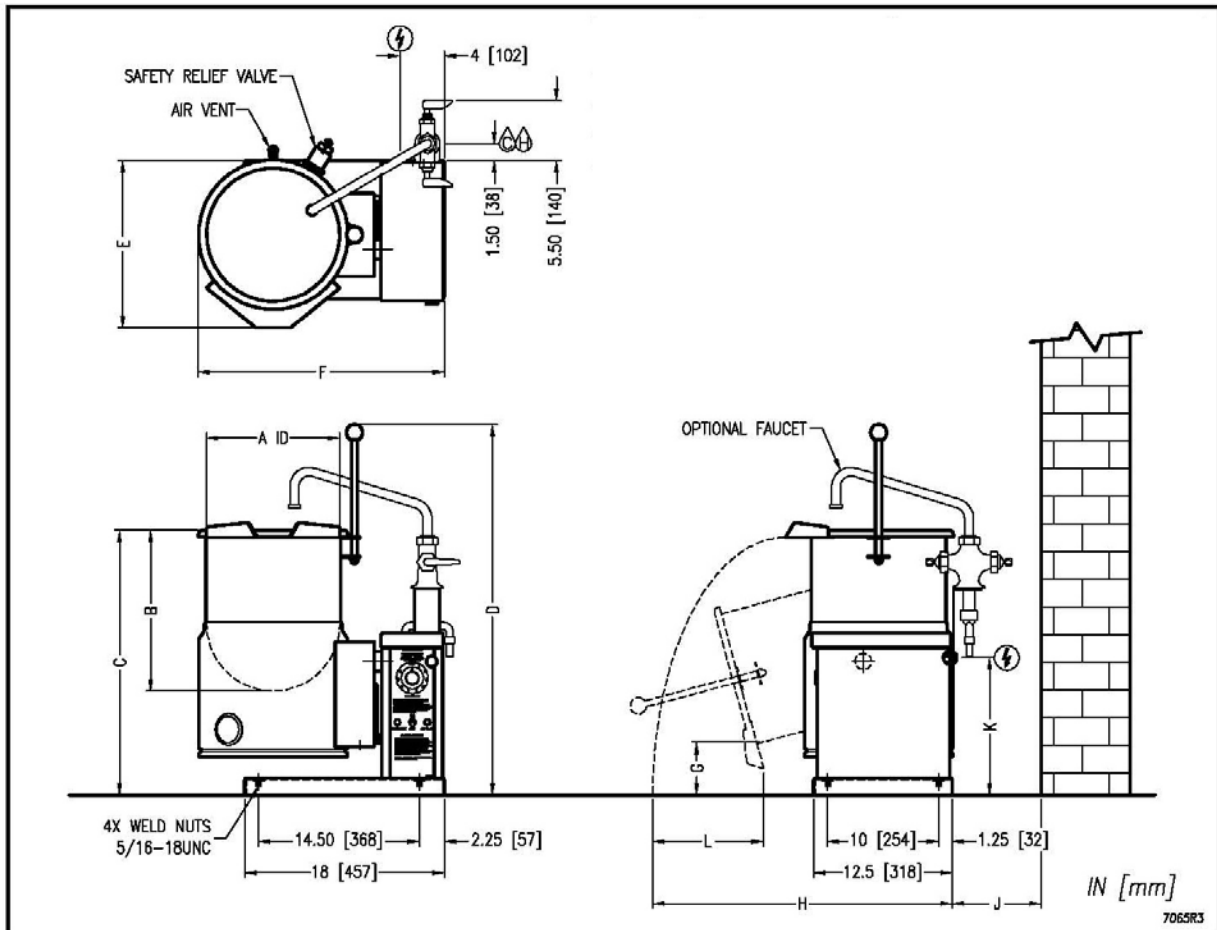
ELECTRIC COUNTER TILTING KETTLE
 6, 10 OR 12 GALLON CAPACITY—ELECTRIC HEATED,
 COUNTER TOP MOUNTED, MANUAL TILT, ELECTRIC KETTLE

Electric Countertop Kettle Model "ACEC-xTW" Specifications								
		AMPS PER LINE						
Model #	kW	Phase	208V	220V	240V	380V	415V	480V
ACEC-6TW	7.5	1	36.0	34.1	31.3	n/a	n/a	n/a
		3	20.8	19.7	18.1	11.4	10.4	9.0
ACEC-10TW	12.0	1	57.6	54.6	50.0	n/a	n/a	n/a
		3	33.3	31.5	28.9	18.3	16.7	14.5

Dimensions														
MODEL	SHIPPING WEIGHT	CAPACITY	UNITS	A	B	C	D	E	F	G	H	J	K	L
ACEC-6TW	130 lbs [59 kgs]	6 gallons 23 litres	inches mm	12 305	14.38 365	24 610	33.5 851	15.25 387	22.25 565	4.50 114	27 686	4.25 108	12.38 314	10 254
ACEC-10TW	180 lbs [82 kgs]	10 gallons 38 litres	inches mm	16 406	15 381	26 660	34.88 886	17.25 438	26.25 667	4.62 117	28 711	6.12 156	14.75 375	12.75 324
ACEC-12TW	190 lbs [86 kgs]	12 gallons 45 litres	inches mm		17 432	28 711	36.88 937			4.12 105	30 762			12.75 324

Notes:

1. Electrical connection to be specified on the data plate.
2. Hot & Cold Water: 3/8" OD tubing to Faucet (optional).



MM6225-1105