

Project: _____ Location: _____ Item #: _____ Quantity: _____

Standard Features

- c-CSA-us and NSF certified.
- All Stainless Steel Exterior.
- Heat proof knob.
- Pan is 10 gauge Stainless Steel with a #4 finish Exterior, Polished Interior.
- Even Heat Distribution with 1 1/2" thick Stainless Steel Clad Plate.

Optional Features

- Etched gallon markings. (ACGMS-12)
- Etched litre markings. (ACLMS-45)
- Correctional Package.
- Can be mounted to a 21" high Stainless Steel stand.
- Marine Lock (ACML-1).

Electrical Options

- 208 VAC, 1 phase, 50/60 Hz.
- 208 VAC, 3 phase, 50/60 Hz.
- 220 VAC, 1 phase, 50/60 Hz.
- 220 VAC, 3 phase, 50/60 Hz.
- 240 VAC, 1 phase, 50/60 Hz.
- 240 VAC, 3 phase, 50/60 Hz.
- 380/220 VAC, 3 phase, 50/60 Hz. 4 wire
- 415/240 VAC, 3 phase, 50/60 Hz. 4 wire
- 480 VAC, 3 phase, 50/60 Hz.

Short Spec

Countertop tilting skillet shall be AccuTemp's electrically heated counter tilting skillet. The skillet shall have all stainless steel construction and features a one-piece coved corner design for easy cleaning. Cast Aluminum heater provides even heat distribution across the entire surface.

The skillet pan shall be mounted on side pivots to allow tilting for complete removal of contents by means of a tilting handle with heat proof knob. A tilt position device shall permit the pan to be tilted forward slightly during cooking to aid grease removal. The mounting base shall be fitted with mounting lugs for securing to counter or optional stand. The controls shall be integrally mounted in the stainless steel clad console and shall include a power switch, operating thermostat, pilot light and high temperature cut-off. The skillet shall operate in a temperature range of 160°F to 445°F (71°C to 230°C).

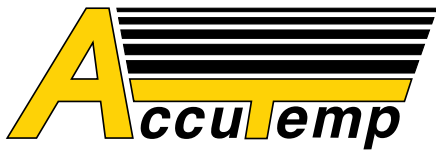
Other Approvals



ACECTS-12 Model Shown

Accessories

- Steam Pan Insert (ACSPI-12).
- One piece lift-off Stainless Steel cover (ACSC-12).
- 21" high floor stand c/w sliding shelf (ACS-30).
- 21" high floor stand c/w sliding drain pan and stationary drain (ACSD-30).
- 12" Single Pantry Faucet with swing spout (ACSF-12).
- 12" Double pantry faucet with swing spout (ACDF-12).
- Single pantry Kettle Filler, with Bracket (ACSP-KF).
- Double pantry Kettle Filler, with Bracket (ACDP-KF).



ELECTRIC COUNTER TILTING SKILLET

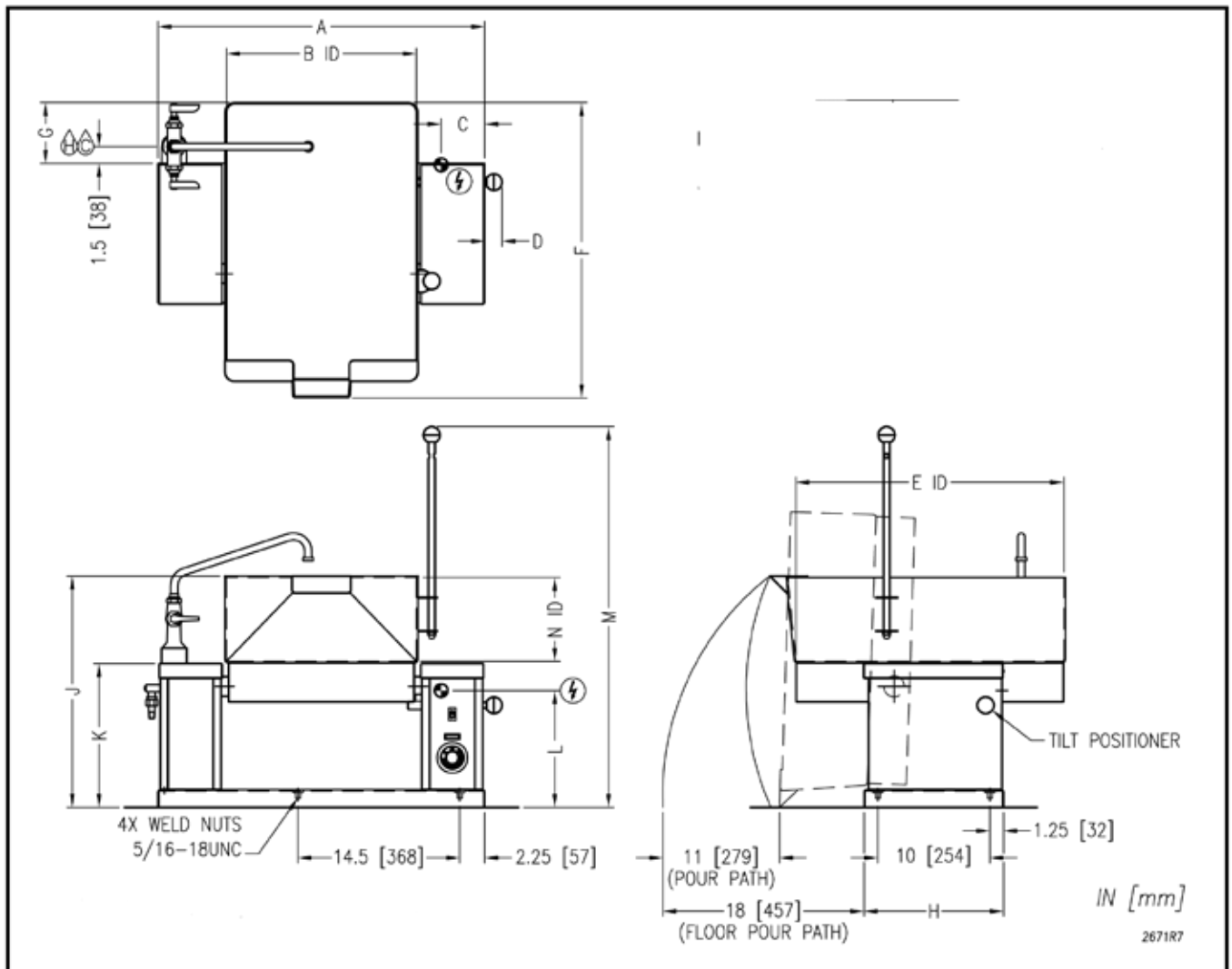
12 GALLON CAPACITY—ELECTRIC HEATED,
MANUAL TILT, ELECTRIC TILTING SKILLET

Tilt Skillet Model "ACECTS-12" Specifications								
Model #	kW	Phase	AMPS PER LINE					
			208V	220V	240V	380V	415V	480V
ACECTS-12	9	1	43.3	40.9	37.5	N/A	N/A	N/A
		3	25.0	23.6	21.7	13.7	12.5	10.8

DIMENSIONS																
Model #	Shipping Weight	Capacity	UNITS	A	B	C	D	E	F	G	H	J	K	L	M	N
ACECTS-12	191 LBS [87 KGS]	12 gallons 46 litres	inches	29.25	17	4	2	24	26.5	5.5	12.5	20.75	13	10.5	34.13	7.5
			mm	743	432	102	51	610	673	140	318	527	330	267	867	191

Notes:

1. Electrical connection to be specified on the data plate.
2. Hot & Cold Water: 3/8" OD tubing to Faucet (optional).



MM6208-1105

AccuTemp Products, Inc.

8415 North Clinton Park • Fort Wayne, IN 46825 • 800-210-5907 • 260-493-0415 • Fax 260-493-0318 • accutemp.net