

Gas Hotplate

- AHP-2 Gas hotplate
- AHP-4 Gas hotplate
- AHP-6 Gas hotplate



Model: AHP-6

STANDARD FEATURES

- Stainless steel front and galvanized sides
- Octagon cast iron burner, each 25,000 BTU/hr
- 12" x12"(30x30cm) cast iron grate
- Standby S/S pilot for easy start
- Adjustable heavy duty legs
- Full width crumb tray at the bottom
- Durable brass control valve
- Easy access to pilot valve adjustment screws
- Easy gas conversion in field
- 3/4" NPT rear gas connection
- Shipped with gas regulator
- One year limited parts and labor warranty

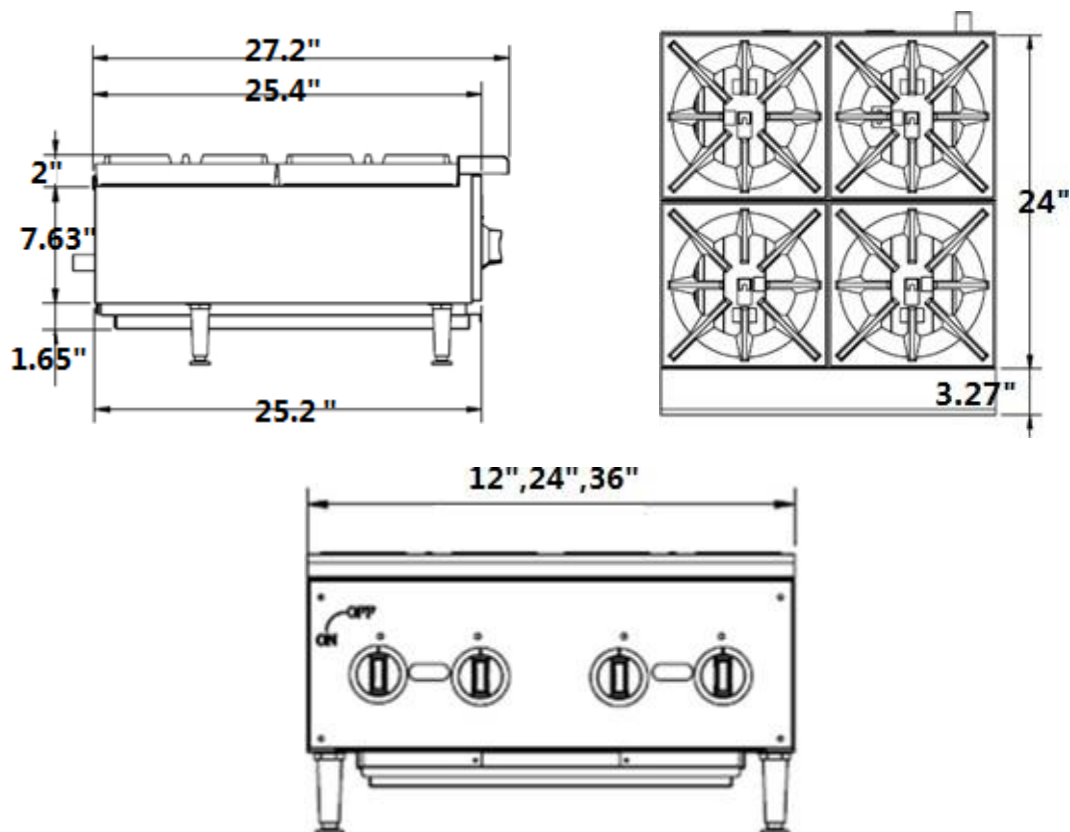
INSTALLATION INSTRUCTIONS

1. A gas pressure regulator supplied with the unit must be installed. Natural Gas 4.0" (102 mm) W.C. Propane Gas 10.0" (254 mm) W.C.
2. An adequate ventilation system is required for commercial cooking equipment.
3. These units are manufactured for installation in accordance with National Fuel Gas Code, ANSI-Z223.1/NFPA #54 (latest edition).
4. This appliance is intended for commercial installation only and is not intended for home use.
5. Equipment clearance requirement:

Non-Combustibles	Combustibles
Sides 0"	Sides 4"
Back 0"	Back 4"
6. All the installation must be performed by qualified technicians.
7. For gas conversion, please refer to conversion instructions in the Instruction Manual Book.

Gas Hotplate

Plan View



Model	Description	Total BTU/HR	Packing Size(IN)	N/W (LB)	G/W (LB)
AHP-2	Gas hotplate	50,000	19x30x20	71	95
AHP-4	Gas hotplate	100,000	28x30x20	126	154
AHP-6	Gas hotplate	150,000	39x30x20	183	220