

Project: \_\_\_\_\_ Location: \_\_\_\_\_ Item #: \_\_\_\_\_ Quantity: \_\_\_\_\_

## Standard Features

- Kettle System—Seamless deep-drawn 304 kettle liner with an integrally formed radius lip
- 304 stainless kettle jacket
- Kettle protection system—thermostat temperature control, 150°F - 285°F, pressure relief valve, pressure gauge, jacket-water fill, automatic low water cut off and indicator light, Field replaceable heating elements
- Full body insulation between kettle jacket and outer casing
- 304 stainless outer casing seam welded to radius lip
- 304 stainless, seam welded control console
- 304 stainless, reinforced base plate

## Optional Features

- Single or dual faucet with bracket & 12" or 18" swing nozzle\*
- 60" flexible spray hose assembly (vinyl or stainless) for dual or single faucet\*
- Faucet bracket (ALFBT)
- Riser for table mounted fill faucet (ALRISER)
- Automatic water filling meter (ALAC-WS)
- Mixer/agitator, single speed
- Correctional Package\*
- 316 Liner (AL316LNR)

\* Call AccuTemp for additional information

## Electrical Options

208V, 240V, 380V, 415V, 440V, 480V

## Short Spec

AccuTemp Edge Series countertop kettle, model ALTEH-XX (5 or 10 gallon capacity), seamless deep-drawn 304 kettle liner with integrally formed radius lip and 304 stainless kettle jacket. Full body insulation between the kettle jacket and outer casing. 2/3 jacketed with pressure relief valve, pressure gauge, jacket-water fill valve, automatic low water cut off and indicator light and field replaceable heating elements. Seam welded control console with thermostat temperature control, 150°F to 285°F (65°C to 140°C). Optional stand available for floor mounting.

## Other Approvals



## Accessories

- Care Kit (ALKCK-L)
- Lift-off cover (ALLCT-M)
- Table for one or two ALTEH kettles (ALR-343A-1, ALR-343A-2)
- Anti-splash screen for sliding drawer (ALASMS)
- Single basket insert (ALSBI-M)
- Nylon bag insert with spreader ring (ALNBI)
- Tilt locking device (ALTEH-LD)

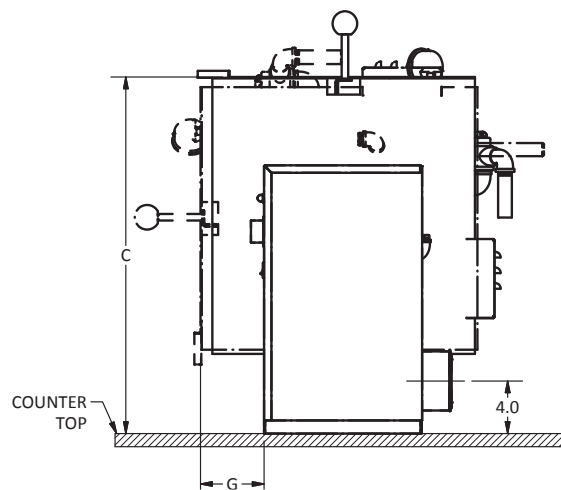
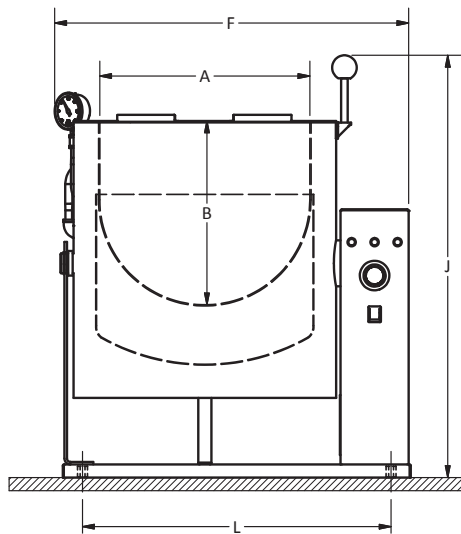
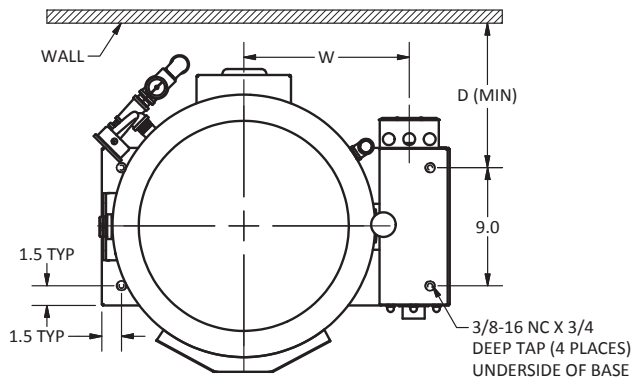
\* Call AccuTemp for additional information



Model ALTEH-5

MODEL ALTEH ELECTRICAL SPECIFICATIONS (Amperes per Leg)													
GAL	KW	208 Volt		240 Volt		380 Volt		415 Volt		440 Volt		480 Volt	
		1Ø	3Ø	1Ø	3Ø	1Ø	3Ø	1Ø	3Ø	1Ø	3Ø	1Ø	3Ø
5	6	21.7	12.5	25.0	14.4	15.8	9.1	14.5	8.3	11.5	6.6	12.5	7.2
10	12	43.3	25.0	50.0	28.9	31.6	18.2	28.9	16.7	22.9	13.2	25.0	14.4

MODEL ALTEH DIMENSIONS									
GAL	A	B	C	D	F	G	J	L	W
5	14.0	9.9	27.2	11.0	26.5	4.8	32.2	23.5	11.6
10	16.0	14.0	27.2	11.0	27.0	4.8	32.2	23.5	12.6



MM6260-1906