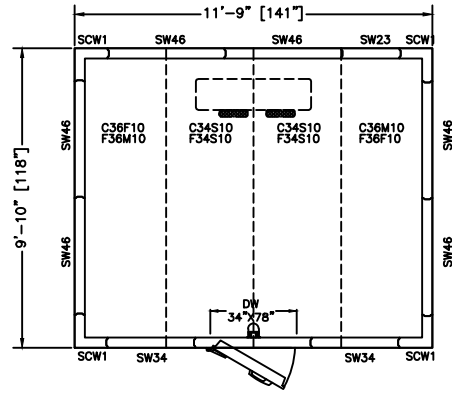
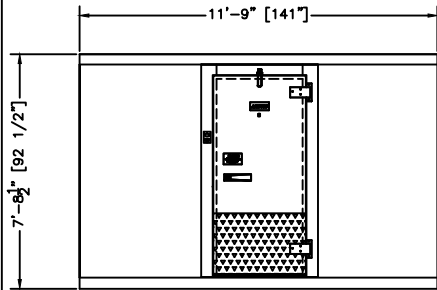


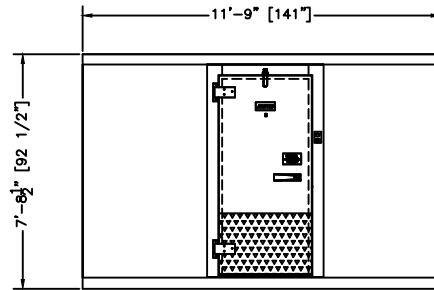
PLAN VIEW
RIGHT HINGE
SELECT



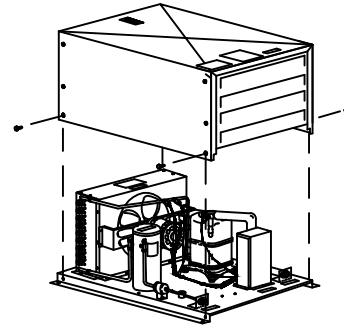
PLAN VIEW
LEFT HINGE
SELECT



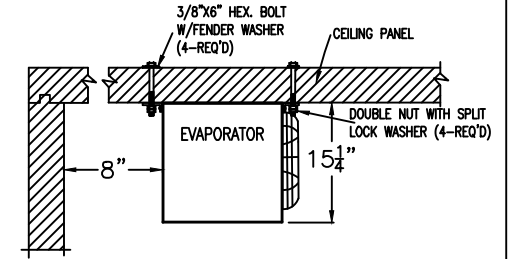
ELEVATION
RIGHT HINGE



ELEVATION
LEFT HINGE



**CONDENSING UNIT
DETAIL**



**EVAPORATOR MOUNTING DETAIL
(MOUNTING HARDWARE
BY OTHERS)**

| PRODUCT SPECIFICATIONS | |
|--|---|
| MODEL: | BL1210-CF-R |
| WALK-IN SPECIFICATION | |
| INTERIOR/EXTERIOR FINISH | 26 GAUGE MILL EMBOSSED ACRYLUME OR 26 GAUGE STUCCO EMBOSSED GALVANIZED STEEL |
| ELECTRICAL (VOLTS/Hz/PH) | 115/60/1 |
| MAX AMP. | 0.8 |
| EVAPORATOR SPECIFICATION | |
| ELECTRICAL (VOLTS/Hz/PH) | 115/60/1 |
| AMPS | 20 |
| WEIGHT (LBS) | 52 |
| CONDENSOR SPECIFICATION | |
| ELECTRICAL (VOLTS/Hz/PH) | 208-230/60/1 |
| AMPS | 15 |
| WEIGHT (LBS) | 167 |
| WALK-IN AND REFRIGERATION FREIGHT | |
| TOTAL SHIPPING WEIGHT (LBS) | 1706 |
| MAXIMUM PALLET SIZE | 48" X 120" X 102" HIGH |
| NUMBERS OF PALLETS | 2 |

MODEL: BL1210-CF-R

INDOOR-WITH FLOOR

COOLER 35°F

REMOTE PRE-ASSEMBLED REFRIGERATION

CUSTOMER APPROVAL

DATE: _____

SIGNATURE: _____

CONFIDENTIAL

THE DRAWINGS, TECHNICAL DATA, AND ALL OTHER INFORMATION SET FORTH IN THIS DOCUMENT COMPRISE TRADE SECRETS AND CONFIDENTIAL INFORMATION THAT IS THE EXCLUSIVE PROPERTY OF ARCTIC INDUSTRIES, LLC.

USE OF SUCH INFORMATION IS LIMITED TO THE PURPOSE FOR WHICH IT WAS PROVIDED AND NO RECIPIENT IS PERMITTED TO USE, COPY, OR DISCLOSE SUCH INFORMATION EXCEPT AS EXPRESSLY AUTHORIZED BY ARCTIC INDUSTRIES, LLC.

Arctic
WALK-IN COOLERS AND FREEZERS
MIAMI, FLORIDA
Phone: (305) 883-5581
LOS ANGELES, CALIFORNIA
Phone: (626) 508-0920

Intertek CONFORMS TO UL STD 471
Intertek CONFORMS TO NSF STD 7