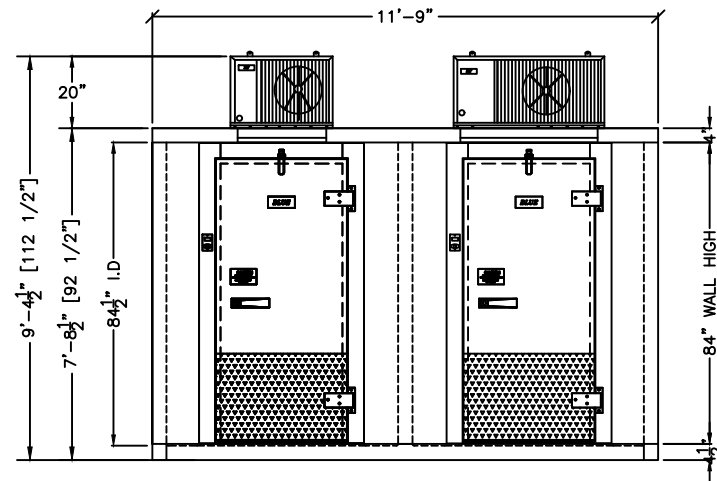


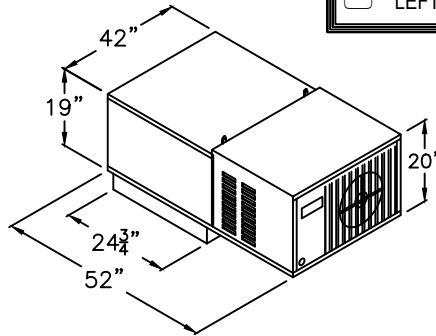
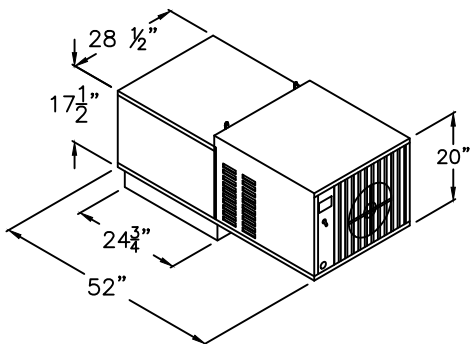
**COOLER**  
(WITH FLOOR PANELS)

**FREEZER**  
(WITH FLOOR PANELS)



**1 ELEVATION**  
SCALE: 1/4"=1'-0"

**RIGHT HAND DOOR SHOWN**  
SELECT HINGE SIDE FOR DOORS  
COOLER                      FREEZER  
 RIGHT HAND     RIGHT HAND  
 LEFT HAND       LEFT HAND



| PRODUCT SPECIFICATIONS            |  |          |
|-----------------------------------|--|----------|
| MODEL:                            | BL128-COMBO-CF-SC  |          |
| WALK-IN SPECIFICATIONS            |  |          |
| INTERIOR/EXTERIOR FINISH          | 26 GAUGE MILL EMBOSSED ACRYLUME OR 26 GAUGE STUCCO EMBOSSED GALVANIZED STEEL |          |
| ELECTRICAL (VOLTS/Hz/PH)          | 115/60/1   |          |
| MAX AMP.                          | 0.8 COOLER & 2.2 FREEZER   |          |
| SYSTEM SPECIFICATION              | COOLER   | FREEZER  |
| ELECTRICAL (VOLTS/Hz/PH)          | 230/60/1   | 230/60/1 |
| AMPS                              | 8  | 16.5     |
| WEIGHT (LBS)                      | 215  | 275      |
| CORD + NEMA 6-20R PLUG            |  |          |
| WALK-IN AND REFRIGERATION FREIGHT |  |          |
| TOTAL SHIPPING WEIGHT (LBS)       | 2,502  |          |
| MAXIMUM PALLET SIZE               | 48"W X 96"L X 102"H  |          |
| NUMBERS OF PALLETS                | 2  |          |

MODEL: BL128-COMBO-CF-SC  
COOLER/FREEZER WITH FLOOR  
COOLER 35°F / FREEZER -10°F  
SELF-CONTAINED SYSTEM

CUSTOMER APPROVAL  
DATE: \_\_\_\_\_  
SIGNATURE: \_\_\_\_\_

**CONFIDENTIAL**  
THE DRAWINGS, TECHNICAL DATA, AND ALL OTHER INFORMATION SET FORTH IN THIS DOCUMENT COMPRISE TRADE SECRETS AND CONFIDENTIAL INFORMATION THAT IS THE EXCLUSIVE PROPERTY OF ARCTIC INDUSTRIES, LLC.  
USE OF SUCH INFORMATION IS LIMITED TO THE PURPOSE FOR WHICH IT WAS PROVIDED AND NO RECIPIENT IS PERMITTED TO USE, COPY, OR DISCLOSE SUCH INFORMATION EXCEPT AS EXPRESSLY AUTHORIZED BY ARCTIC INDUSTRIES, LLC.

**Arctic**<sup>®</sup>  
WALK-IN COOLERS AND FREEZERS  
MIAMI, FLORIDA  
Phone: (305) 883-5581  
LOS ANGELES, CALIFORNIA  
Phone: (626) 508-0920





Intertek CONFIDENTIAL TO UL STD #1  
Intertek CONFIDENTIAL TO NSF STD 7