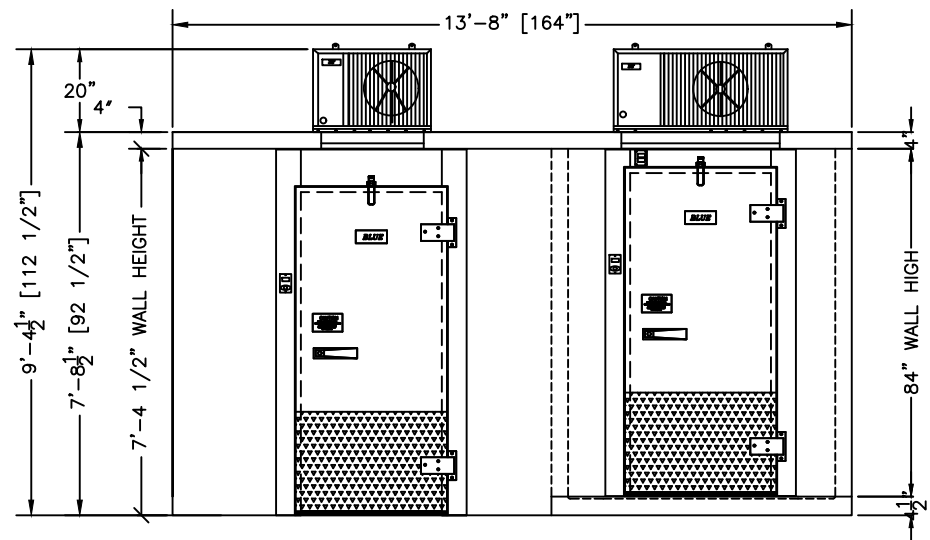
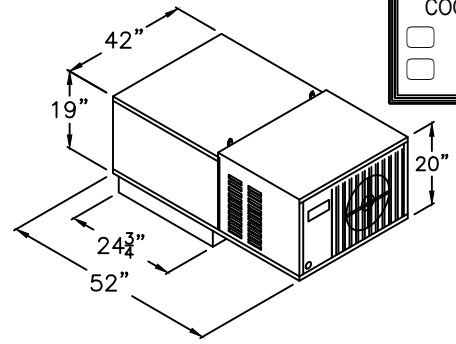
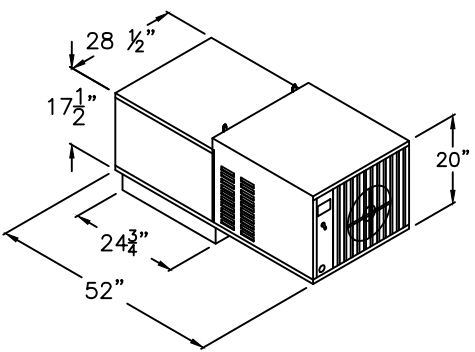


**COOLER**  
(NO FLOOR PANELS)

**FREEZER**  
(WITH FLOOR PANELS)



**1 ELEVATION**  
SCALE: 1/4"=1'-0"



**RIGHT HAND DOOR SHOWN**  
SELECT HINGE SIDE FOR DOORS

<input type="checkbox"/> COOLER RIGHT HAND	<input type="checkbox"/> FREEZER RIGHT HAND
<input type="checkbox"/> COOLER LEFT HAND	<input type="checkbox"/> FREEZER LEFT HAND

PRODUCT SPECIFICATIONS		
MODEL:	BL1410-COMBO-C-SC	
WALK-IN SPECIFICATIONS		
INTERIOR/EXTERIOR FINISH	26 GAUGE MILL EMBOSSED ACRYLUME OR 26 GAUGE STUCCO EMBOSSED GALVANIZED STEEL	
ELECTRICAL (VOLTS/Hz/PH)	115/60/1	
MAX AMP.	0.8 COOLER & 2.2 FREEZER	
SYSTEM SPECIFICATION	COOLER	FREEZER
ELECTRICAL (VOLTS/Hz/PH)	230/60/1	230/60/1
AMPS	8.2	16.7
WEIGHT (LBS)	220	275
CORD + NEMA 6-20R PLUG		
WALK-IN AND REFRIGERATION FREIGHT		
TOTAL SHIPPING WEIGHT (LBS)	2,772	
MAXIMUM PALLET SIZE	48"W X 96"L X 102"H	
NUMBERS OF PALLETS	2	

MODEL: BL1410-COMBO-C-SC

COOLER NO FLOOR/FREEZER WITH FLOOR

COOLER 35°F / FREEZER -10°F

SELF-CONTAINED SYSTEM

**CUSTOMER APPROVAL**

DATE: \_\_\_\_\_

SIGNATURE: \_\_\_\_\_

**CONFIDENTIAL**

THE DRAWINGS, TECHNICAL DATA, AND ALL OTHER INFORMATION SET FORTH IN THIS DOCUMENT COMPRISE TRADE SECRETS AND CONFIDENTIAL INFORMATION THAT IS THE EXCLUSIVE PROPERTY OF ARCTIC INDUSTRIES, LLC.

USE OF SUCH INFORMATION IS LIMITED TO THE PURPOSE FOR WHICH IT WAS PROVIDED AND NO RECIPIENT IS PERMITTED TO USE, COPY, OR DISCLOSE SUCH INFORMATION EXCEPT AS EXPRESSLY AUTHORIZED BY ARCTIC INDUSTRIES, LLC.

**Arctic**<sup>®</sup>

WALK-IN COOLERS AND FREEZERS

MIAMI, FLORIDA  
Phone: (305) 883-5581

LOS ANGELES, CALIFORNIA  
Phone: (626) 508-0920

Intertek CONFIDENTIAL TO UL STD #11

Intertek CONFIDENTIAL TO NSF STD #7