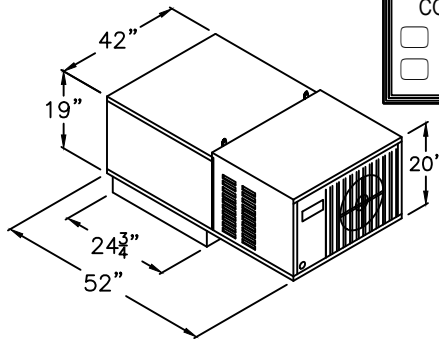
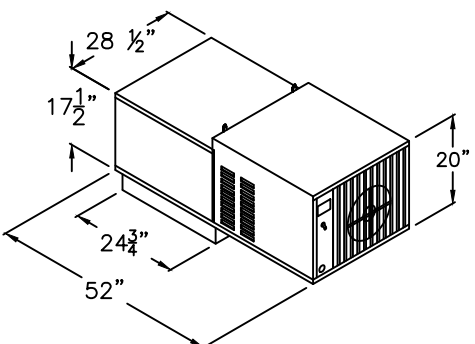


**1 ELEVATION**  
SCALE: 1/4"=1'-0"

**COOLER**  
(NO FLOOR PANELS)

**FREEZER**  
(WITH FLOOR PANELS)



**RIGHT HAND DOOR SHOWN**  
SELECT HINGE SIDE FOR DOORS  
COOLER FREEZER  
 RIGHT HAND  RIGHT HAND  
 LEFT HAND  LEFT HAND

PRODUCT SPECIFICATIONS		
MODEL:	BL146-COMBO-C-SC	
WALK-IN SPECIFICATIONS		
INTERIOR/EXTERIOR FINISH	26 GAUGE MILL EMBOSSED ACRYLUME OR 26 GAUGE STUCCO EMBOSSED GALVANIZED STEEL	
ELECTRICAL (VOLTS/Hz/PH)	115/60/1	
MAX AMP.	0.8 COOLER & 2.2 FREEZER	
SYSTEM SPECIFICATION	COOLER	FREEZER
ELECTRICAL (VOLTS/Hz/PH)	230/60/1	230/60/1
AMPS	8	16.5
WEIGHT (LBS)	215	275
CORD + NEMA 6-20R PLUG		
WALK-IN AND REFRIGERATION FREIGHT		
TOTAL SHIPPING WEIGHT (LBS)	2,208	
MAXIMUM PALLET SIZE	48"W X 96"L X 102"H	
NUMBERS OF PALLETS	2	

MODEL: BL146-COMBO-C-SC  
COOLER NO FLOOR/FREEZER WITH FLOOR  
COOLER 35°F / FREEZER -10°F  
SELF-CONTAINED SYSTEM

CUSTOMER APPROVAL  
DATE: \_\_\_\_\_  
SIGNATURE: \_\_\_\_\_

**CONFIDENTIAL**  
THE DRAWINGS, TECHNICAL DATA, AND ALL OTHER INFORMATION SET FORTH IN THIS DOCUMENT COMPRISE TRADE SECRETS AND CONFIDENTIAL INFORMATION THAT IS THE EXCLUSIVE PROPERTY OF ARCTIC INDUSTRIES, LLC.  
USE OF SUCH INFORMATION IS LIMITED TO THE PURPOSE FOR WHICH IT WAS PROVIDED AND NO RECIPIENT IS PERMITTED TO USE, COPY, OR DISCLOSE SUCH INFORMATION EXCEPT AS EXPRESSLY AUTHORIZED BY ARCTIC INDUSTRIES, LLC.

**Arctic**  
WALK-IN COOLERS AND FREEZERS  
MIAMI, FLORIDA  
Phone: (305) 883-5581  
LOS ANGELES, CALIFORNIA  
Phone: (626) 508-0920

ETL US  
Intertek  
CONFIDENTIAL TO  
UL STD #11

ETL  
Intertek  
CONFIDENTIAL TO  
NSF STD #7

EISA